

National Semiconductor is now part of
Texas Instruments.

Search <http://www.ti.com/> for the latest technical
information and details on our current products and services.

LM101AQML

Operational Amplifiers

General Description

The LM101A is a general purpose operational amplifier which features improved performance over industry standards such as the LM709. Advanced processing techniques make possible an order of magnitude reduction in input currents, and a redesign of the biasing circuitry reduces the temperature drift of input current. Improved specifications include:

- Offset voltage 3 mV maximum over temperature
- Input current 100 nA maximum over temperature
- Offset current 20 nA maximum over temperature
- Guaranteed drift characteristics
- Offsets guaranteed over entire common mode and supply voltage ranges
- Slew rate of 10V/μs as a summing amplifier

This amplifier offers many features which make its application nearly foolproof: overload protection on the input and output, no latch-up when the common mode range is exceeded, and freedom from oscillations and compensation with a single 30 pF capacitor. It has advantages over internally compensated amplifiers in that the frequency compensation can be tailored to the particular application. For example, in low frequency circuits it can be

overcompensated for increased stability margin. Or the compensation can be optimized to give more than a factor of ten improvement in high frequency performance for most applications.

In addition, the device provides better accuracy and lower noise in high impedance circuitry. The low input currents also make it particularly well suited for long interval integrators or timers, sample and hold circuits and low frequency waveform generators. Further, replacing circuits where matched transistor pairs buffer the inputs of conventional IC op amps, it can give lower offset voltage and a drift at a lower cost.

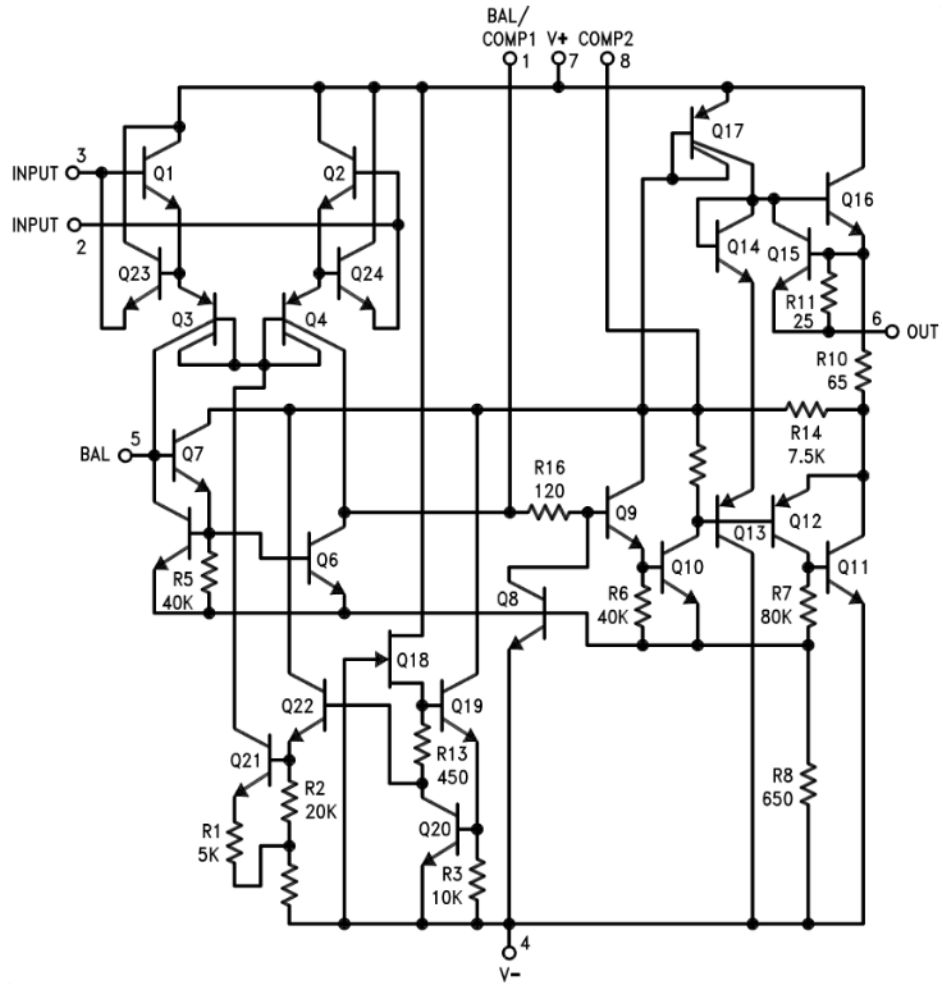
Features

- Available with radiation guarantee
- Offset voltage 3 mV maximum over temperature
- Input current 100 nA maximum over temperature
- Offset current 20 nA maximum over temperature
- Guaranteed drift characteristics
- Offsets guaranteed over entire common mode and supply voltage ranges
- Slew rate of 10 V/μs as a summing amplifier

Ordering Information

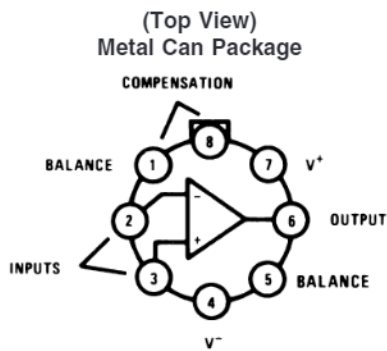
NS Part Number	SMD Part Number	NS Package Number	Package Description
LM101AH/883		H08C	8LD Metal Can
LM101AJ/883		J08A	8LD CERDIP
LM101AW/883		W10A	10LD CERPACK
LM101AH-QMLV	5962-9951501VGA	H08C	8LD Metal Can
LM101AHLQMLV	5962L9951501VGA 50k rd(Si)	H08C	8LD Metal Can
LM101AHRQMLV	5962R9951501VGA 100k rd(Si)	H08C	8LD Metal Can
LM101AJLQMLV	5962L9951501VPA 50k rd(Si)	J08A	8LD CERDIP
LM101AJ-QMLV	5962-9951501VPA	J08A	8LD CERDIP
LM101AW-QMLV	5962-9951501VHA	W10A	10LD CERPACK
LM101AWLQMLV	5962L9951501VHA 50k rd(Si)	W10A	10LD CERPACK

Schematic (Note 11)



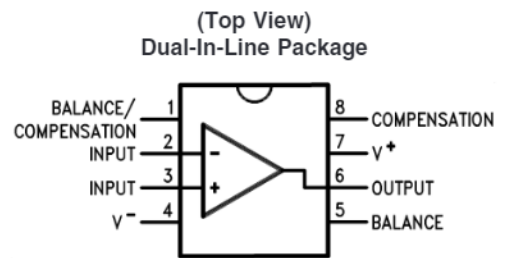
20122301

Connection Diagrams



20122302

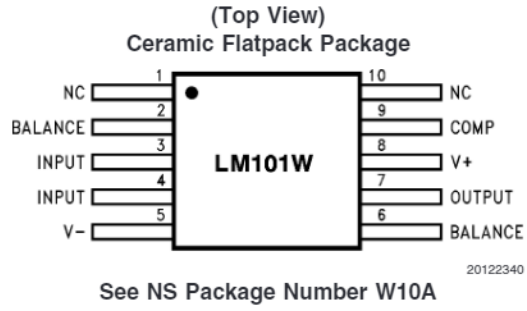
See NS Package Number H08C
Note: Pin 4 connected to case.



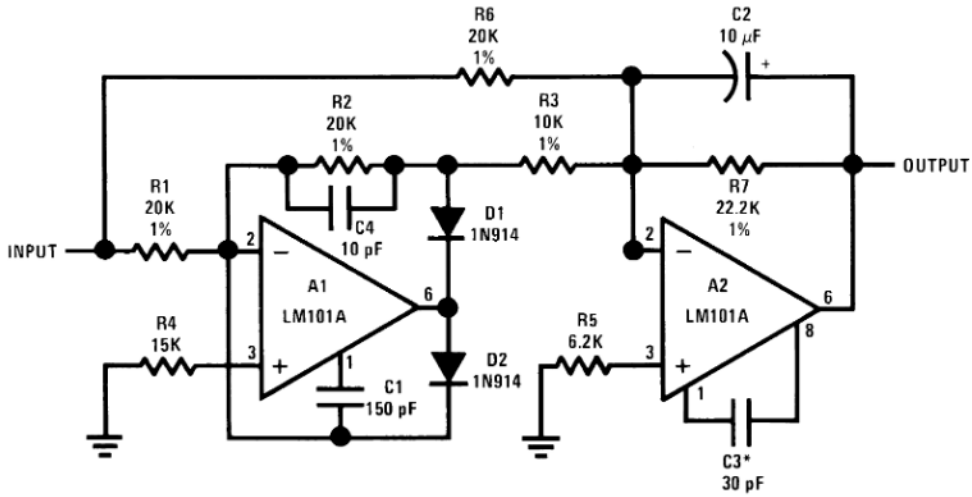
20122304

See NS Package Number J08A

Connection Diagrams (Continued)



Fast AC/DC Converter



Note 1: Feedforward compensation can be used to make a fast full wave rectifier without a filter.

20122333

Absolute Maximum Ratings (Note 2)

Supply Voltage	±22V
Differential Input Voltage	±30V
Input Voltage (Note 3)	±15V
Output Short Circuit Duration	Continuous
Operating Ambient Temp. Range	$-55^{\circ}\text{C} \leq T_A \leq +125^{\circ}\text{C}$
T_J Max	150°C
Power Dissipation at $T_A = 25^{\circ}\text{C}$ (Note 4)	
H-Package	
(Still Air)	750 mW
(500 LF / Min Air Flow)	1200 mW
J-Package	
(Still Air)	1000 mW
(500 LF / Min Air Flow)	1500 mW
W-Package	
(Still Air)	500mW
(500 LF / Min Air Flow)	800mW
Thermal Resistance	
θ_{JA}	
H-Package	
(Still Air)	165°C/W
(500 LF / Min Air Flow)	89°C/W
J-Package	
(Still Air)	128°C/W
(500 LF / Min Air Flow)	75°C/W
W-Package	
(Still Air)	233°C/W
(500 LF / Min Air Flow)	155°C/W
θ_{JC} (Typical)	
H-Package	39°C/W
J-Package	26°C/W
W-Package	26°C/W
Storage Temperature Range	$-65^{\circ}\text{C} \leq T_A \leq +150^{\circ}\text{C}$
Lead Temperature (Soldering, 10 sec.)	300°C
ESD Tolerance (Note 5)	3000V

Quality Conformance Inspection

Mil-Std-883, Method 5005 - Group A

Subgroup	Description	Temp (°C)
1	Static tests at	25
2	Static tests at	125
3	Static tests at	-55
4	Dynamic tests at	25
5	Dynamic tests at	125
6	Dynamic tests at	-55
7	Functional tests at	25
8A	Functional tests at	125
8B	Functional tests at	-55
9	Switching tests at	25
10	Switching tests at	125
11	Switching tests at	-55

LM101A 883 Electrical Characteristics

DC Parameters

The following conditions apply to all parameters, unless otherwise specified

$V_{CC} = \pm 20V$, $V_{CM} = 0V$

Symbol	Parameter	Conditions	Notes	Min	Max	Units	Sub-groups
V_{IO}	Input Offset Voltage	$V_{CM} = -15V$, $R_S = 50\Omega$		-2.0	2.0	mV	1
				-3.0	3.0	mV	2, 3
		$V_{CM} = 15V$, $R_S = 50\Omega$		-2.0	2.0	mV	1
				-3.0	3.0	mV	2, 3
		$R_S = 50\Omega$		-2.0	2.0	mV	1
				-3.0	3.0	mV	2, 3
I_{IO}	Input Offset Current	$V_{CM} = -15V$		-10	10	nA	1
				-20	20	nA	2, 3
		$V_{CM} = 15V$		-10	10	nA	1
				-20	20	nA	2, 3
		$V_{CC} = \pm 5V$		-10	10	nA	1
				-20	20	nA	2, 3
$\pm I_{IB}$	Input Bias Current	$V_{CM} = -15V$		1.0	75	nA	1
				1.0	100	nA	2, 3
		$V_{CM} = 15V$		1.0	75	nA	1
				1.0	100	nA	2, 3
		$V_{CC} = \pm 5V$		1.0	75	nA	1
				1.0	100	nA	2, 3
PSRR+	Power Supply Rejection Ratio	$+V_{CC} = +20V$ and $+5V$, $-V_{CC} = -20V$, $R_S = 50\Omega$		80		dB	1, 2, 3
PSRR-	Power Supply Rejection Ratio	$+V_{CC} = +20V$, $-V_{CC} = -20V$ and $-5V$, $R_S = 50\Omega$		80		dB	1, 2, 3
CMRR	Common Mode Rejection Ratio	$-15V \leq V_{CM} \leq 15V$, $R_S = 50\Omega$		80		dB	1, 2, 3

LM101A 883 Electrical Characteristics (Continued)**DC Parameters** (Continued)

The following conditions apply to all parameters, unless otherwise specified

$V_{CC} = \pm 20V, V_{CM} = 0V$

Symbol	Parameter	Conditions	Notes	Min	Max	Units	Sub-groups	
I_{CC}	Supply Current				3.0	mA	1	
					2.5	mA	2	
					3.5	mA	3	
$+V_{IO\ Adj}$	Input Offset Voltage Adjust			4.0		mV	1, 2, 3	
$-V_{IO\ Adj}$	Input Offset Voltage Adjust				-4.0	mV	1, 2, 3	
$+I_{OS}$	Short Circuit Current			-45	-7.0	mA	1, 2, 3	
$-I_{OS}$	Short Circuit Current			7.0	45	mA	1, 2, 3	
V_I	Input Voltage Range	$V_{CC} = \pm 20V$	(Note 6)	-15	15	V	1, 2, 3	
$+A_{VS}$	Large Signal Gain	$V_{CC} = \pm 15V, R_S = 0, R_L = 2K\Omega, V_O = 10V$			50		V/mV	4
					25		V/mV	5, 6
$-A_{VS}$	Large Signal Gain	$V_{CC} = \pm 15V, R_S = 0, R_L = 2K\Omega, V_O = -10V$			50		V/mV	4
					25		V/mV	5, 6
R_I	Input Resistance		(Note 7)	1.5		M Ω	4	
			(Note 7)	0.5		M Ω	5, 6	
$+V_{OP}$	Output Voltage Swing	$R_L = 10K\Omega$		16		V	4, 5, 6	
		$R_L = 2K\Omega$		15		V	4, 5, 6	
		$R_L = 10K\Omega, V_{CC} = \pm 15V$		12		V	4, 5, 6	
		$R_L = 2K\Omega, V_{CC} = \pm 15V$		10		V	4, 5, 6	
$-V_{OP}$	Output Voltage Swing	$R_L = 10K\Omega$			-16	V	4, 5, 6	
		$R_L = 2K\Omega$			-15	V	4, 5, 6	
		$R_L = 10K\Omega, V_{CC} = \pm 15V$			-12	V	4, 5, 6	
		$R_L = 2K\Omega, V_{CC} = \pm 15V$			-10	V	4, 5, 6	

AC Parameters

The following conditions apply to all parameters, unless otherwise specified

$V_{CC} = \pm 20V, R_L = 2K\Omega, A_V = 1$

Symbol	Parameter	Conditions	Notes	Min	Max	Units	Sub-groups
$+SR$	Slew Rate	$V_I = -5V$ to $5V$			0.2	V/ μ S	7
$-SR$	Slew Rate	$V_I = 5V$ to $-5V$			0.2	V/ μ S	7
G_{BW}	Gain Bandwidth	$V_I = 50mV_{RMS}, f = 20KHz$			0.25	MHz	7

LM101A QML & RH Electrical Characteristics (Note 10)

DC Parameters

The following conditions apply to all parameters, unless otherwise specified

$$V_{CC} = \pm 20V, V_{CM} = 0V, R_S = 50\Omega$$

Symbol	Parameter	Conditions	Notes	Min	Max	Units	Sub-groups
V_{IO}	Input Offset Voltage	$+V_{CC} = 35V, -V_{CC} = -5V,$ $V_{CM} = -15V$		-2.0	+2.0	mV	1
				-3.0	+3.0	mV	2, 3
		$+V_{CC} = 5V, -V_{CC} = -35V,$ $V_{CM} = +15V$		-2.0	+2.0	mV	1
				-3.0	+3.0	mV	2, 3
		$V_{CM} = 0V$		-2.0	+2.0	mV	1
				-3.0	+3.0	mV	2, 3
I_{IO}	Input Offset Current	$+V_{CC} = 35V, -V_{CC} = -5V,$ $V_{CM} = -15V, R_S = 100K\Omega$		-10	+10	nA	1, 2
				-20	+20	nA	3
		$+V_{CC} = 5V, -V_{CC} = -35V,$ $V_{CM} = +15V, R_S = 100K\Omega$		-10	+10	nA	1, 2
				-20	+20	nA	3
		$V_{CM} = 0V, R_S = 100K\Omega$		-10	+10	nA	1, 2
				-20	+20	nA	3
$\pm I_{IB}$	Input Bias Current	$+V_{CC} = 35V, -V_{CC} = -5V,$ $V_{CM} = -15V, R_S = 100K\Omega$		-0.1	75	nA	1, 2
				-0.1	100	nA	3
		$+V_{CC} = 5V, -V_{CC} = -35V,$ $V_{CM} = +15V, R_S = 100K\Omega$		-0.1	75	nA	1, 2
				-0.1	100	nA	3
		$V_{CM} = 0V, R_S = 100K\Omega$		-0.1	75	nA	1, 2
				-0.1	100	nA	3
+PSRR	Power Supply Rejection Ratio	$+V_{CC} = 10V, -V_{CC} = -20V$		-50	+50	$\mu V/V$	1
				-100	+100	$\mu V/V$	2, 3
-PSRR	Power Supply Rejection Ratio	$+V_{CC} = 20V, -V_{CC} = -10V$		-50	+50	$\mu V/V$	1
				-100	+100	$\mu V/V$	2, 3
CMRR	Common Mode Rejection Ratio	$V_{CC} = \pm 35V$ to $\pm 5V, V_{CM} = \pm 15V$		80		dB	1, 2, 3
$+V_{IO}$ Adj	Adjustment for Input Offset Voltage			4.0		mV	1, 2, 3
$-V_{IO}$ Adj	Adjustment for Input Offset Voltage				-4.0	mV	1, 2, 3
$+I_{OS}$	Output Short Circuit Current	$+V_{CC} = 15V, -V_{CC} = -15V,$ $t \leq 25mS, V_{CM} = -15V$		-60		mA	1, 2, 3
$-I_{OS}$	Output Short Circuit Current	$+V_{CC} = 15V, -V_{CC} = -15V,$ $t \leq 25mS, V_{CM} = +15V$			+60	mA	1, 2, 3
I_{CC}	Power Supply Current	$+V_{CC} = 15V, -V_{CC} = -15V$			3.0	mA	1
					2.32	mA	2
					3.5	mA	3
$\Delta V_{IO} / \Delta T$	Temperature Coefficient of Input Offset Voltage	$-55^\circ C \leq T_A \leq +25^\circ C$	(Note 8)	-18	+18	$\mu V/^\circ C$	2
		$+25^\circ C \leq T_A \leq +125^\circ C$	(Note 8)	-15	+15	$\mu V/^\circ C$	3
$\Delta I_{IO} / \Delta T$	Temperature Coefficient of Input Offset Current	$-55^\circ C \leq T_A \leq +25^\circ C$	(Note 8)	-200	+200	$pA/^\circ C$	2
		$+25^\circ C \leq T_A \leq +125^\circ C$	(Note 8)	-100	+100	$pA/^\circ C$	3

LM101A QML & RH Electrical Characteristics (Note 10) (Continued)

DC Parameters (Continued)

The following conditions apply to all parameters, unless otherwise specified

$$V_{CC} = \pm 20V, V_{CM} = 0V, R_S = 50\Omega$$

Symbol	Parameter	Conditions	Notes	Min	Max	Units	Sub-groups
-A _{VS}	Large Signal (Open Loop) Voltage Gain	R _L = 2K Ω , V _O = -15V	(Note 9)	50		V/mV	4
			(Note 9)	25		V/mV	5, 6
		R _L = 10K Ω , V _O = -15V	(Note 9)	50		V/mV	4
			(Note 9)	25		V/mV	5, 6
+A _{VS}	Large Signal (Open Loop) Voltage Gain	R _L = 2K Ω , V _O = +15V	(Note 9)	50		V/mV	4
			(Note 9)	25		V/mV	5, 6
		R _L = 10K Ω , V _O = +15V	(Note 9)	50		V/mV	4
			(Note 9)	25		V/mV	5, 6
A _{VS}	Large Signal (Open Loop) Voltage Gain	V _{CC} = $\pm 5V$, R _L = 2K Ω , V _O = $\pm 2V$	(Note 9)	10		V/mV	4,5, 6
		V _{CC} = $\pm 5V$, R _L = 10K Ω , V _O = $\pm 2V$	(Note 9)	10		V/mV	4,5, 6
+V _{OP}	Output Voltage Swing	R _L = 10K Ω , V _{CM} = -20V		+16		V	4,5, 6
		R _L = 2K Ω , V _{CM} = -20V		+15		V	4,5, 6
-V _{OP}	Output Voltage Swing	R _L = 10K Ω , V _{CM} = 20V			-16	V	4,5, 6
		R _L = 2K Ω , V _{CM} = 20V			-15	V	4,5, 6

AC Parameters

The following conditions apply to all parameters, unless otherwise specified

$$V_{CC} = \pm 20V, V_{CM} = 0V, R_S = 50\Omega$$

Symbol	Parameter	Conditions	Notes	Min	Max	Units	Sub-groups
+SR	Slew Rate	A _V = 1, V _I = -5V to +5V		0.3		V/ μ S	7, 8A
				0.2		V/ μ S	8B
-SR	Slew Rate	A _V = 1, V _I = +5V to -5V		0.3		V/ μ S	7, 8A
				0.2		V/ μ S	8B
TR _{TR}	Rise Time	A _V = 1, V _I = 50mV			800	nS	7, 8A, 8B
TR _{OS}	Overshoot	A _V = 1, V _I = 50mV			25	%	7
					35	%	8A, 8B
NI _{BB}	Noise Broadband	BW = 10Hz to 5KHz, R _S = 0 Ω			15	μ V _{RMS}	7
NI _{PC}	Noise Popcorn	BW = 10Hz to 5KHz, R _S = 100K Ω			80	μ V _{PK}	7

DC Parameters Drift Values

The following conditions apply to all parameters, unless otherwise specified

$$V_{CC} = \pm 20V, V_{CM} = 0V, R_S = 50\Omega$$

Delta calculations performed on QMLV devices at group B, Subgroup 5 only.

Symbol	Parameter	Conditions	Notes	Min	Max	Units	Sub-groups
V _{IO}	Input Offset Voltage	V _{CM} = 0V		-0.5	0.5	mV	1
$\pm I_{IB}$	Input Bias Current	V _{CM} = 0V, R _S = 100K Ω		-7.5	7.5	nA	1

Notes

Note 2: Absolute Maximum Ratings indicate limits beyond which damage to the device may occur. Operating ratings indicate conditions for which the device is intended to be functional, but do not guarantee specific performance limits. For guaranteed specifications and test conditions, see the Electrical Characteristics. The guaranteed specifications apply only for the test conditions listed. Some performance characteristics may degrade when the device is not operated under the listed test conditions.

Note 3: For supply voltages less than $\pm 15V$, the absolute maximum input voltage is equal to the supply voltage.

Note 4: The maximum power dissipation must be derated at elevated temperatures and is dictated by T_{Jmax} (maximum junction temperature), θ_{JA} (package junction to ambient thermal resistance), and T_A (ambient temperature). The maximum allowable power dissipation at any temperature is $P_{Dmax} = (T_{Jmax} - T_A) / \theta_{JA}$ or the number given in the Absolute Maximum Ratings, whichever is lower.

Note 5: Human body model, 100 pF discharged through 1.5 k Ω .

Note 6: Parameter guaranteed by the input conditions of several DC parameters

Note 7: Parameter guaranteed, not tested.

Note 8: Calculated parameter

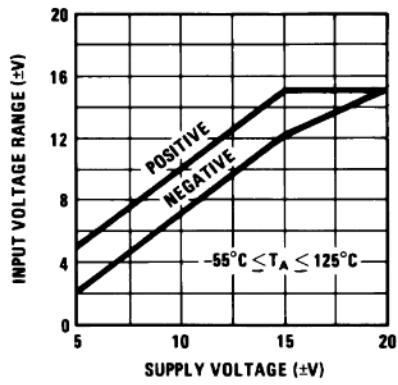
Note 9: Datalog reading of $K = V/mV$.

Note 10: Pre and post irradiation limits are identical to those listed under AC and DC electrical characteristics. These parts may be dose rate sensitive in a space environment and demonstrate enhanced low dose rate effect. Radiation end point limits for the noted parameters are guaranteed only for the conditions as specified in Mil-Std-883, Method 1019

Note 11: Pin connections shown are for 8-pin packages.

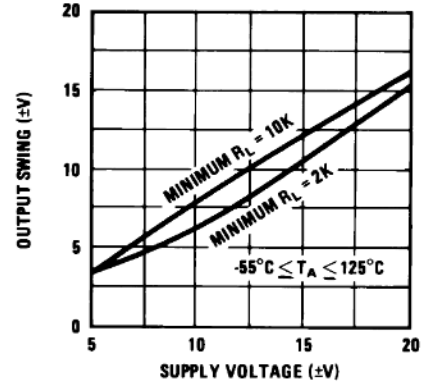
Typical Performance Characteristics LM101A

Input Voltage Range



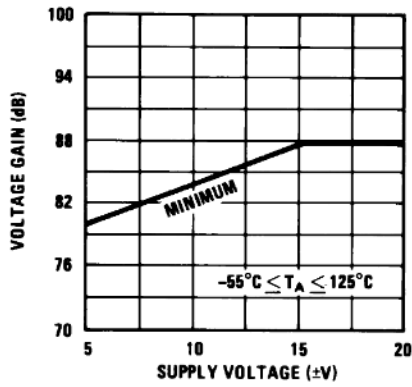
20122341

Output Swing



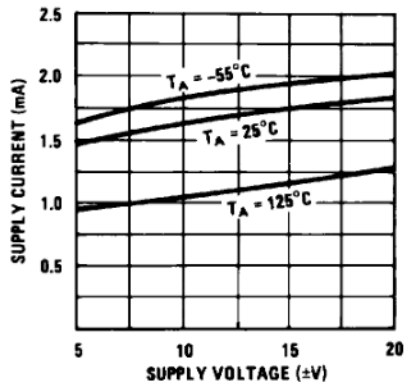
20122342

Voltage Gain



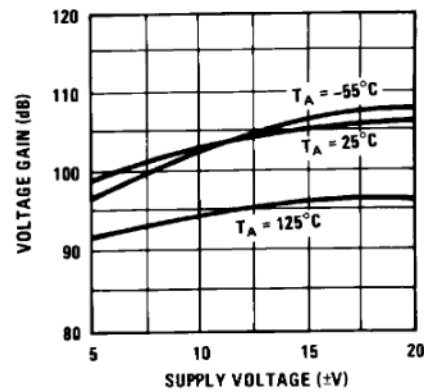
20122343

Supply Current



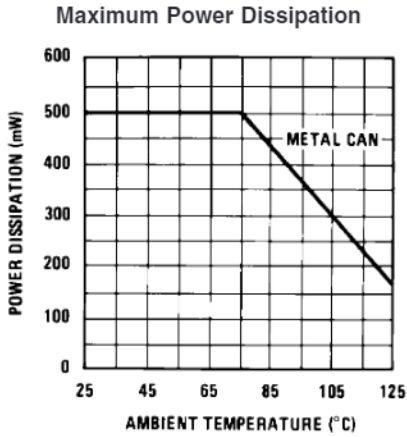
20122347

Voltage Gain

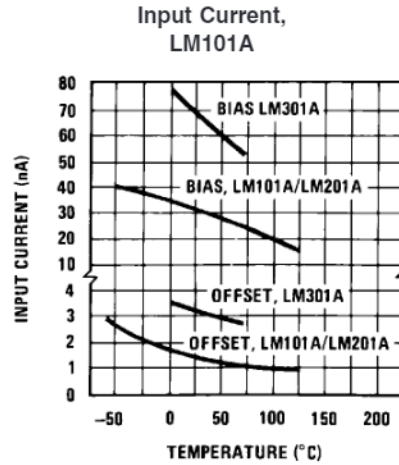


20122348

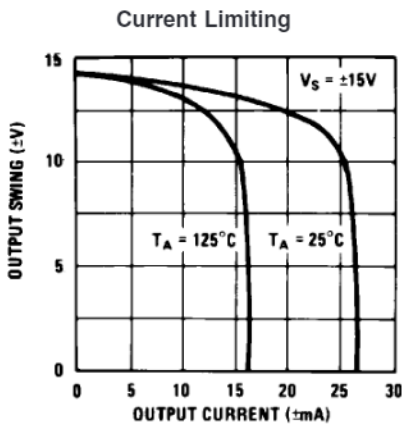
Typical Performance Characteristics LM101A (Continued)



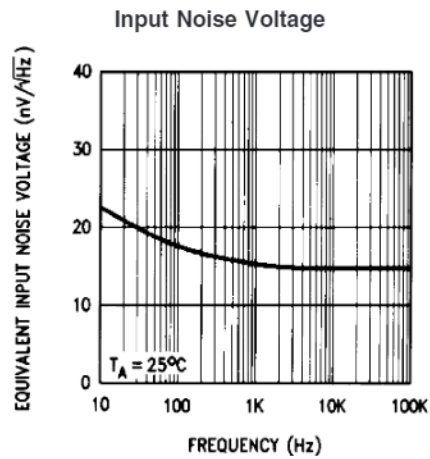
20122349



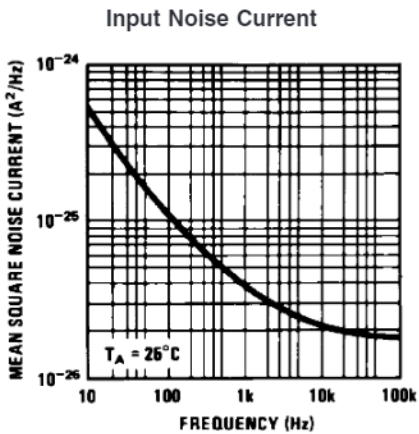
20122350



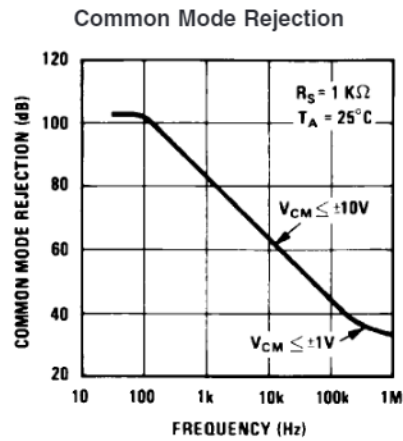
20122351



20122352

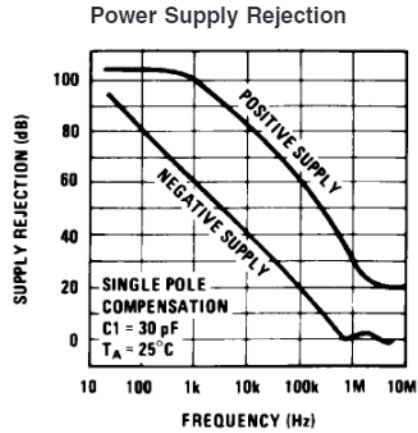


20122353

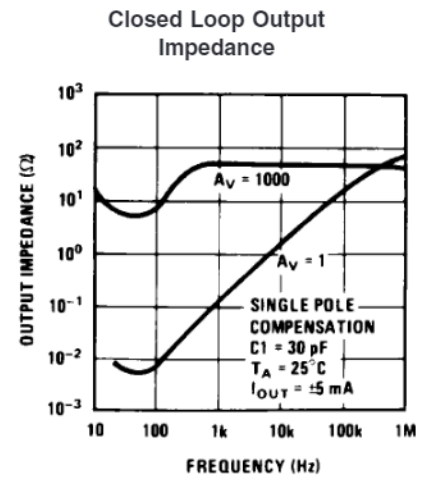


20122354

Typical Performance Characteristics LM101A (Continued)



20122355

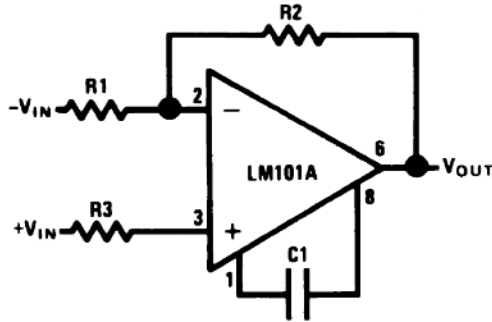


20122356

Typical Performance Characteristics for Various Compensation Circuits

(Note 11)

Single Pole Compensation

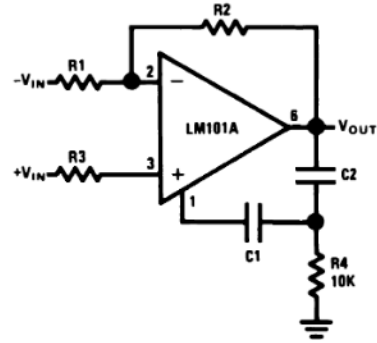


20122308

$$C1 \geq \frac{R1 C_S}{R1 + R2}$$

C_S = 30 pF

Two Pole Compensation

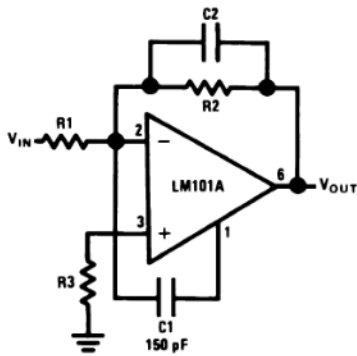


20122312

$$C1 \geq \frac{R1 C_S}{R1 + R2}$$

C_S = 30 pF
C₂ = 10 C₁

Feedforward Compensation

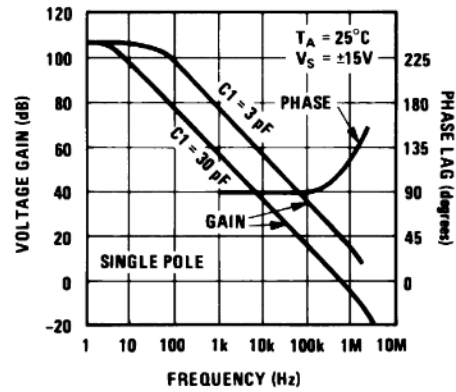


20122316

$$C2 = \frac{1}{2\pi f_0 R2}$$

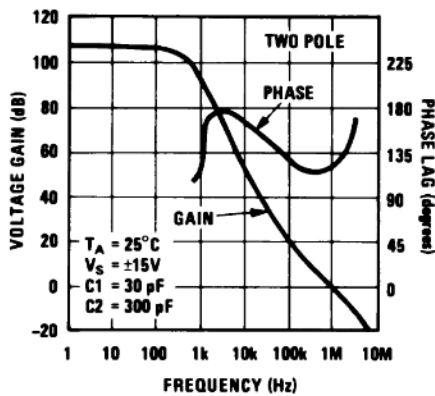
f₀ = 3 MHz

Open Loop Frequency Response



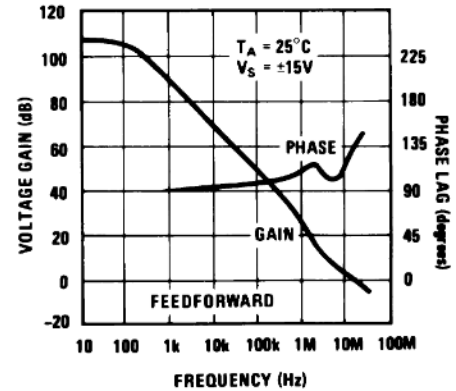
20122309

Open Loop Frequency Response



20122313

Open Loop Frequency Response

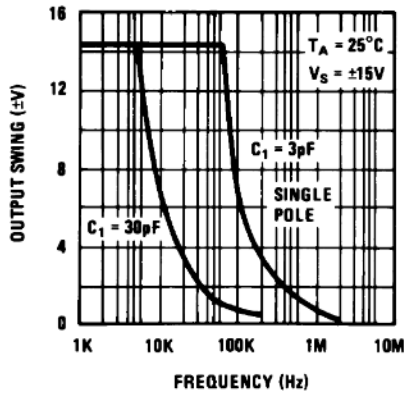


20122317

Typical Performance Characteristics for Various Compensation Circuits

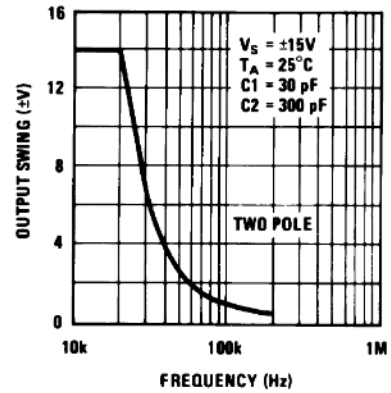
(Note 11) (Continued)

Large Signal Frequency Response



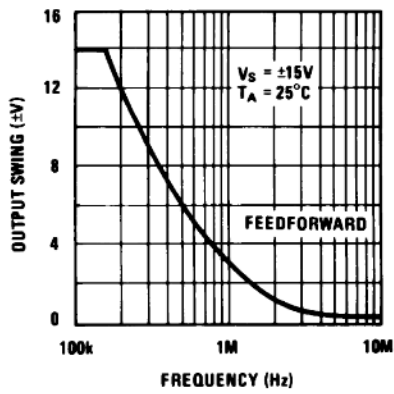
20122310

Large Signal Frequency Response



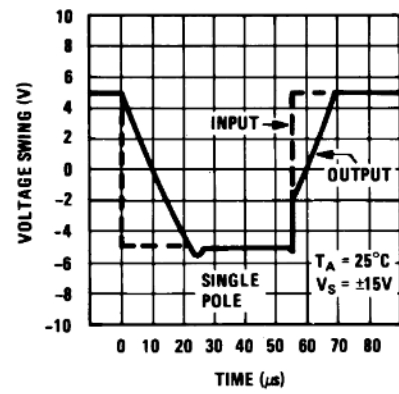
20122314

Large Signal Frequency Response



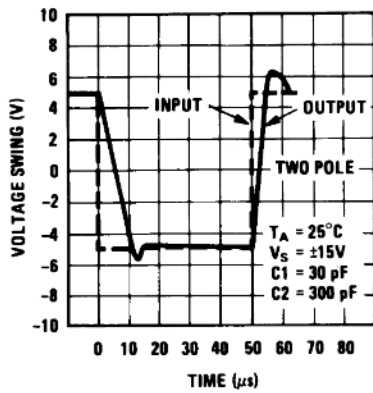
20122318

Voltage Follower Pulse Response



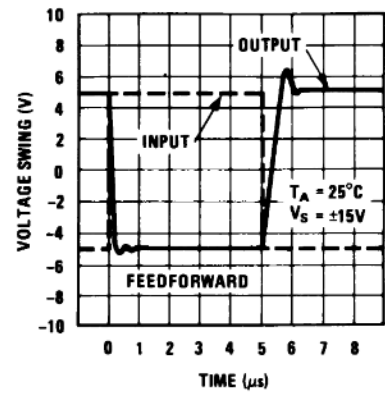
20122311

Voltage Follower Pulse Response



20122315

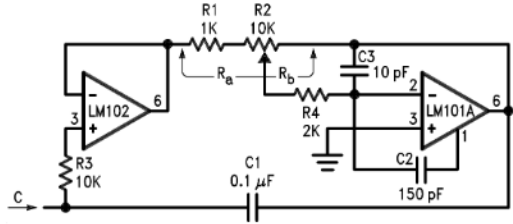
Inverter Pulse Response



20122319

Typical Applications (Note 11)

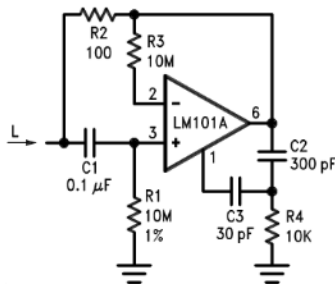
Variable Capacitance Multiplier



20122320

$$C = 1 + \frac{R_b}{R_a} C_1$$

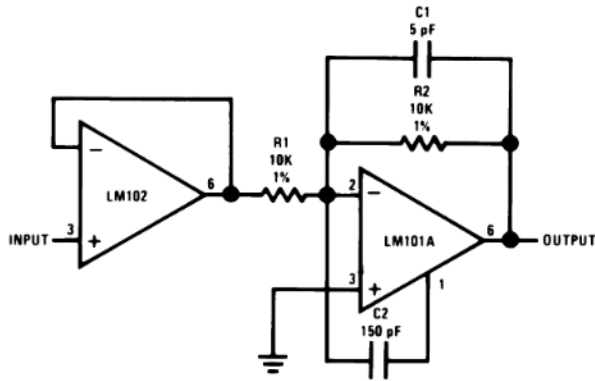
Simulated Inductor



20122321

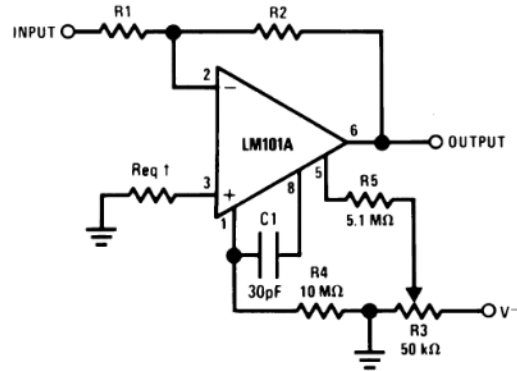
$L \approx R_1 R_2 C_1$
 $R_S = R_2$
 $R_P = R_1$

Fast Inverting Amplifier with High Input Impedance



20122322

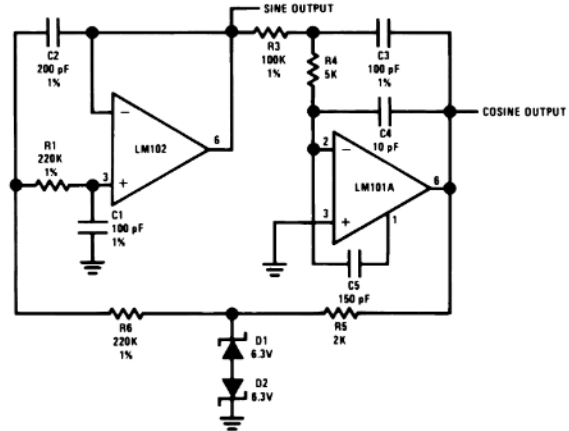
Inverting Amplifier with Balancing Circuit



20122323

†May be zero or equal to parallel combination of R1 and R2 for minimum offset.

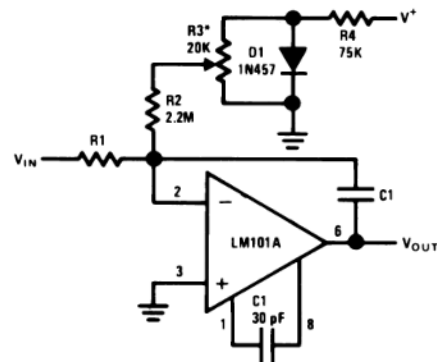
Sine Wave Oscillator



20122324

$f_o = 10 \text{ kHz}$

Integrator with Bias Current Compensation

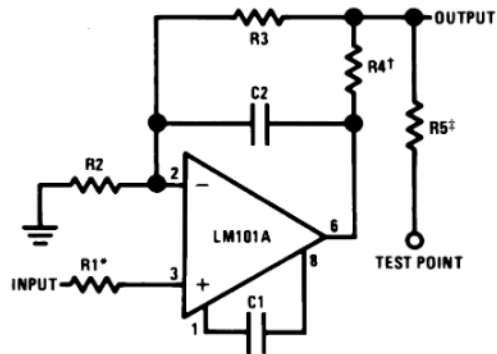


20122325

*Adjust for zero integrator drift. Current drift typically 0.1 nA/°C over -55°C to +125°C temperature range.

Application Hints (Note 11)

Protecting Against Gross Fault Conditions



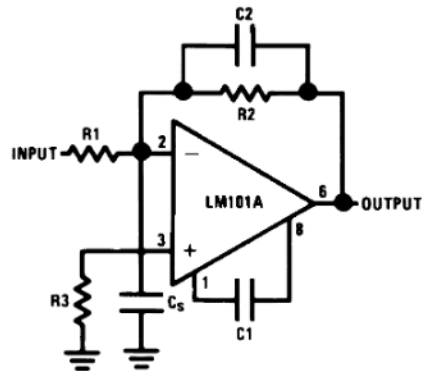
20122326

*Protects input

†Protects output

‡Protects output — not needed when R4 is used.

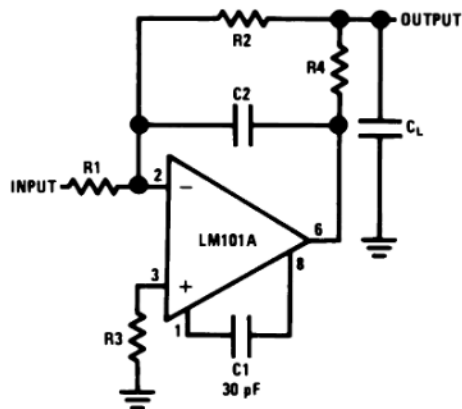
Compensating for Stray Input Capacitances or Large Feedback Resistor



20122327

$$C2 = \frac{R1 C_s}{R2}$$

Isolating Large Capacitive Loads



20122328

Although the LM101A is designed for trouble free operation, experience has indicated that it is wise to observe certain precautions given below to protect the devices from abnormal operating conditions. It might be pointed out that the advice given here is applicable to practically any IC op amp, although the exact reason why may differ with different devices.

When driving either input from a low-impedance source, a limiting resistor should be placed in series with the input lead to limit the peak instantaneous output current of the source to something less than 100 mA. This is especially important when the inputs go outside a piece of equipment where they could accidentally be connected to high voltage sources. Large capacitors on the input (greater than 0.1 μF) should be treated as a low source impedance and isolated with a resistor. Low impedance sources do not cause a problem unless their output voltage exceeds the supply voltage. However, the supplies go to zero when they are turned off, so the isolation is usually needed.

The output circuitry is protected against damage from shorts to ground. However, when the amplifier output is connected to a test point, it should be isolated by a limiting resistor, as test points frequently get shorted to bad places. Further, when the amplifier drives a load external to the equipment, it is also advisable to use some sort of limiting resistance to preclude mishaps.

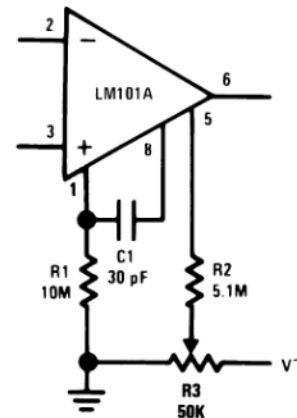
Precautions should be taken to insure that the power supplies for the integrated circuit never become reversed—even under transient conditions. With reverse voltages greater than 1V, the IC will conduct excessive current, fusing internal aluminum interconnects. If there is a possibility of this happening, clamp diodes with a high peak current rating should be installed on the supply lines. Reversal of the voltage between V^+ and V^- will always cause a problem, although reversals with respect to ground may also give difficulties in many circuits.

The minimum values given for the frequency compensation capacitor are stable only for source resistances less than 10 k Ω , stray capacitances on the summing junction less than 5 pF and capacitive loads smaller than 100 pF. If any of these conditions are not met, it becomes necessary to overcompensate the amplifier with a larger compensation capacitor. Alternately, lead capacitors can be used in the feedback network to negate the effect of stray capacitance and large feedback resistors or an RC network can be added to isolate capacitive loads.

Although the LM101A is relatively unaffected by supply bypassing, this cannot be ignored altogether. Generally it is necessary to bypass the supplies to ground at least once on every circuit card, and more bypass points may be required if more than five amplifiers are used. When feed-forward compensation is employed, however, it is advisable to bypass the supply leads of each amplifier with low inductance capacitors because of the higher frequencies involved.

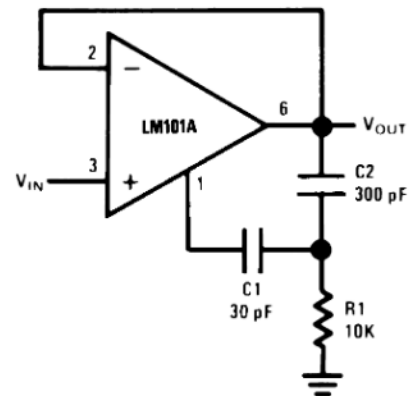
Typical Applications (Note 11)

Standard Compensation and Offset Balancing Circuit



20122329

Fast Voltage Follower

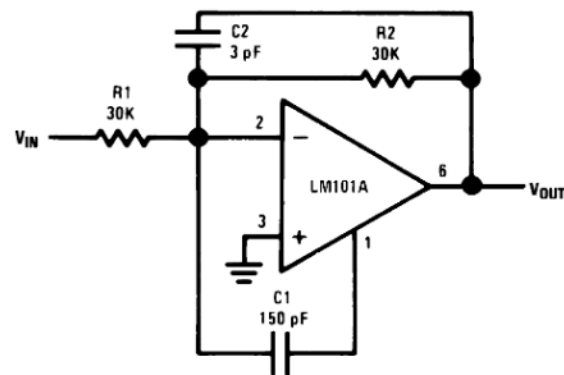


20122331

Power Bandwidth: 15 kHz

Slew Rate: 1V/ μs

Fast Summing Amplifier



20122330

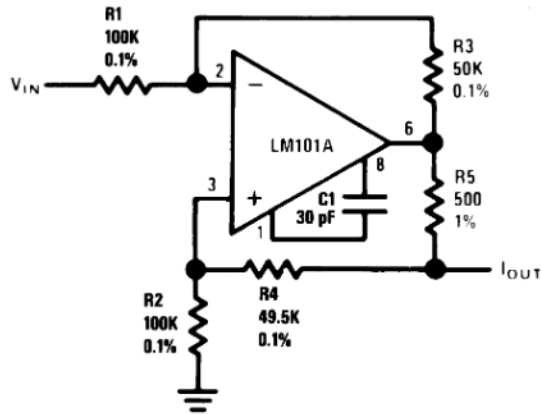
Power Bandwidth: 250 kHz

Small Signal Bandwidth: 3.5 MHz

Slew Rate: 10V/ μs

Typical Applications (Note 11) (Continued)

Bilateral Current Source

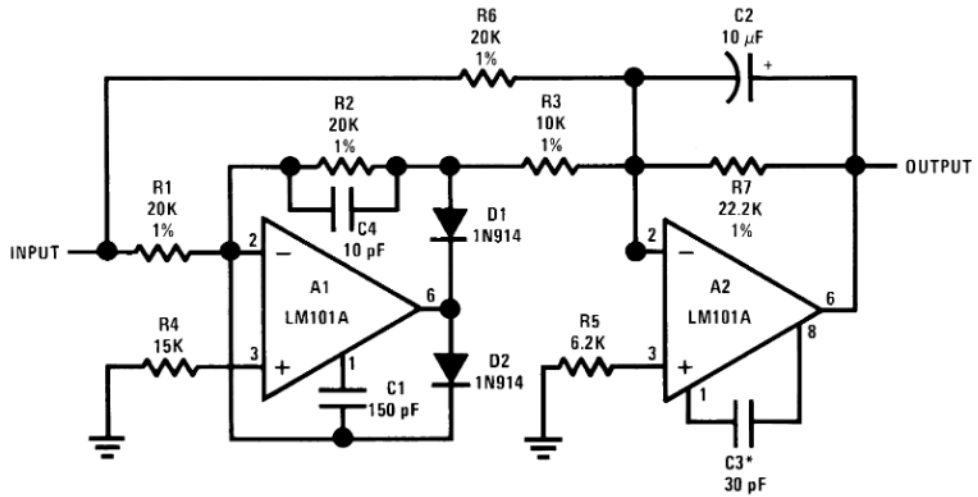


20122332

$$I_{OUT} = \frac{R3 V_{IN}}{R1 R5}$$

R3 = R4 + R5
R1 = R2

Fast AC/DC Converter (Note 12)

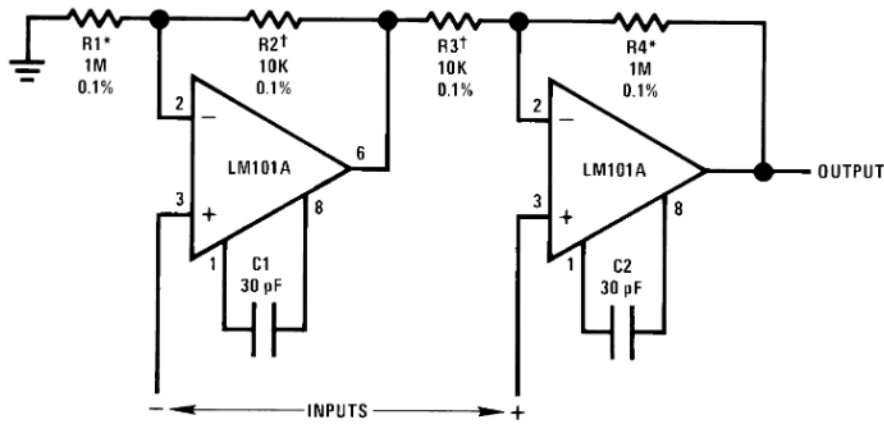


20122333

Note 12: Feedforward compensation can be used to make a fast full wave rectifier without a filter.

Typical Applications (Note 11) (Continued)

Instrumentation Amplifier



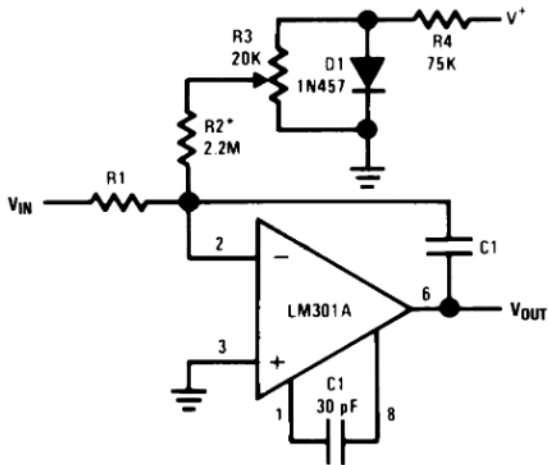
20122334

R1 = R4; R2 = R3

$$A_v = 1 + \frac{R1}{R2}$$

*,† Matching determines CMRR.

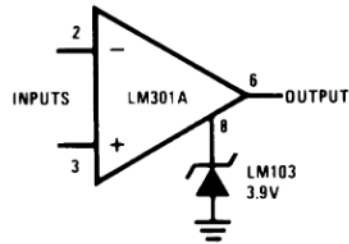
Integrator with Bias Current Compensation



20122335

*Adjust for zero integrator drift. Current drift typically 0.1 nA/°C over 0°C to +70°C temperature range.

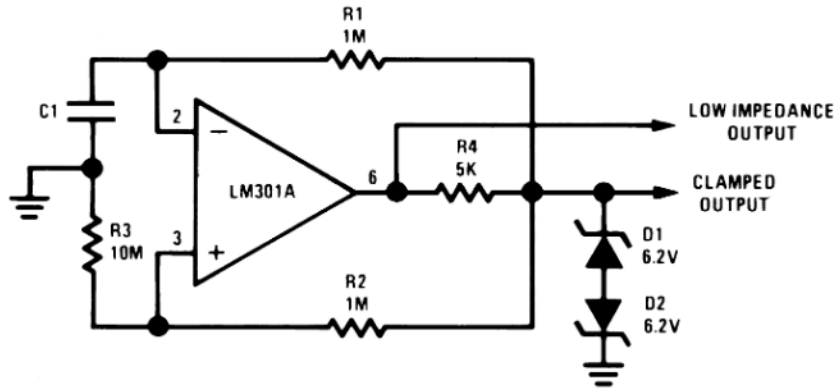
Voltage Comparator for Driving RTL Logic or High Current Driver



20122337

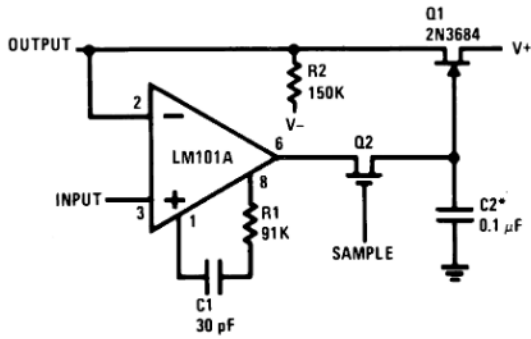
Typical Applications (Note 11) (Continued)

Low Frequency Square Wave Generator



20122336

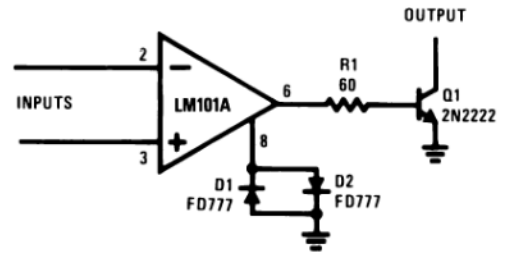
Low Drift Sample and Hold



20122338

*Polycarbonate-dielectric capacitor

Voltage Comparator for Driving DTL or TTL Integrated Circuits

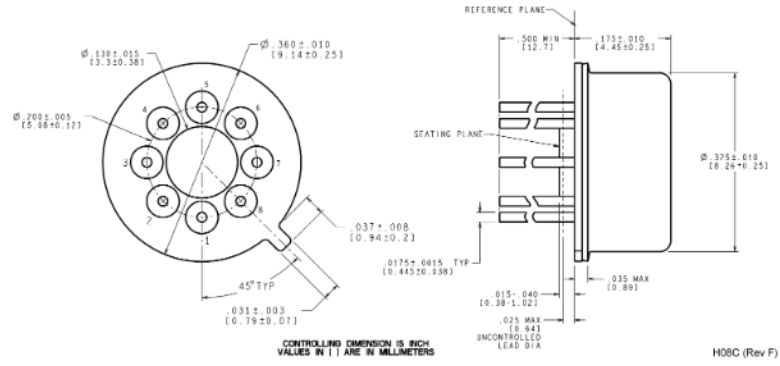


20122339

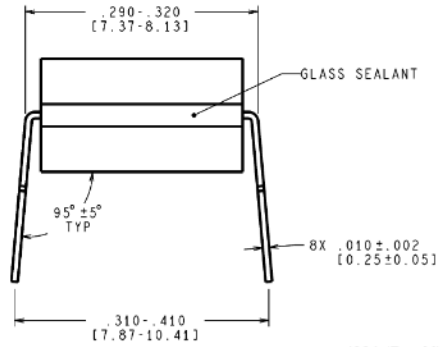
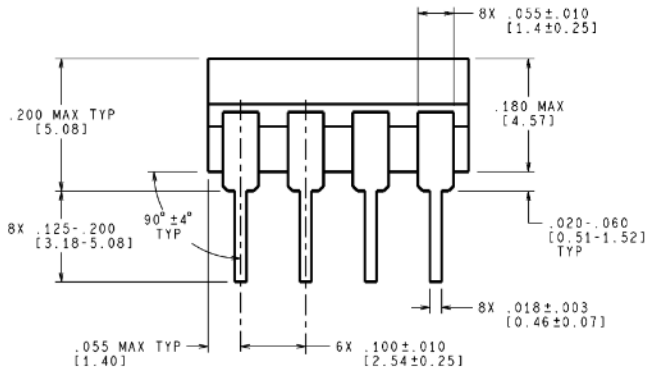
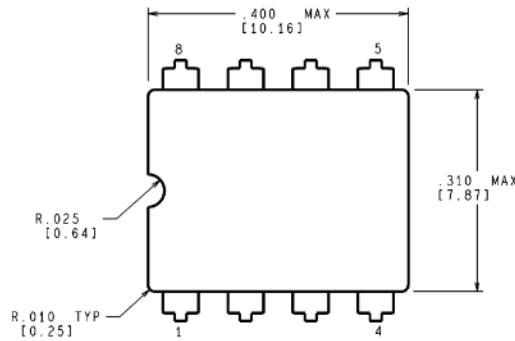
Revision History Section

Date Released	Revision	Section	Originator	Changes
01/05/06	A	New Release to corporate format	L. Lytle	2 MDS datasheets converted into one Corp. datasheet format. MNLM101A-X Rev 0A0 and MRLM101A-X-RH rev 1C2 MDS datasheets will be archived.

Physical Dimensions inches (millimeters) unless otherwise noted



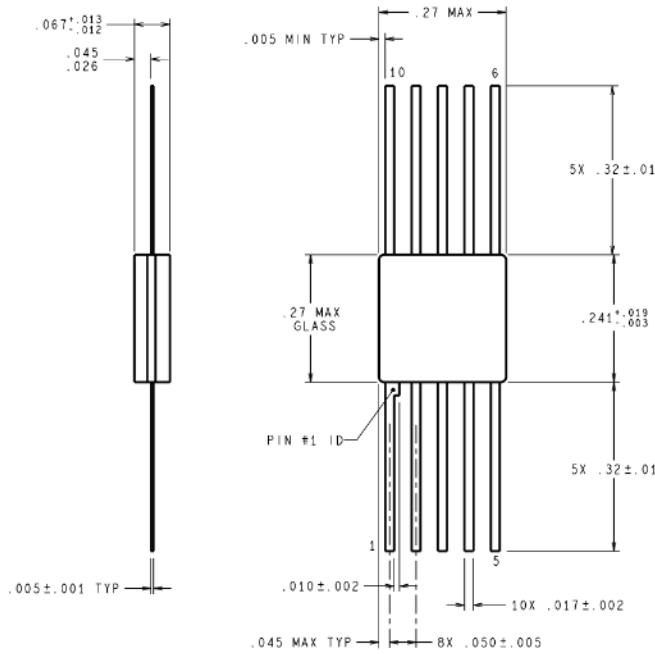
Metal Can Package (H)
NS Package Number H08C



Ceramic Dual-In-Line Package (J)
NS Package Number J08A

J08A (Rev M)

Physical Dimensions inches (millimeters) unless otherwise noted (Continued)



DIMENSIONS ARE IN INCHES

W10A (Rev H)

**Ceramic Flatpack Package (W)
NS Package Number W10A**

National does not assume any responsibility for use of any circuitry described, no circuit patent licenses are implied and National reserves the right at any time without notice to change said circuitry and specifications.

For the most current product information visit us at www.national.com.

LIFE SUPPORT POLICY

NATIONAL'S PRODUCTS ARE NOT AUTHORIZED FOR USE AS CRITICAL COMPONENTS IN LIFE SUPPORT DEVICES OR SYSTEMS WITHOUT THE EXPRESS WRITTEN APPROVAL OF THE PRESIDENT AND GENERAL COUNSEL OF NATIONAL SEMICONDUCTOR CORPORATION. As used herein:

1. Life support devices or systems are devices or systems which, (a) are intended for surgical implant into the body, or (b) support or sustain life, and whose failure to perform when properly used in accordance with instructions for use provided in the labeling, can be reasonably expected to result in a significant injury to the user.
2. A critical component is any component of a life support device or system whose failure to perform can be reasonably expected to cause the failure of the life support device or system, or to affect its safety or effectiveness.

BANNED SUBSTANCE COMPLIANCE

National Semiconductor manufactures products and uses packing materials that meet the provisions of the Customer Products Stewardship Specification (CSP-9-111C2) and the Banned Substances and Materials of Interest Specification (CSP-9-111S2) and contain no "Banned Substances" as defined in CSP-9-111S2.

Leadfree products are RoHS compliant.



National Semiconductor
Americas Customer
Support Center
Email: new.feedback@nsc.com
Tel: 1-800-272-9959

National Semiconductor
Europe Customer Support Center
Fax: +49 (0) 180-530 85 86
Email: europe.support@nsc.com
Deutsch Tel: +49 (0) 69 9508 6208
English Tel: +44 (0) 870 24 0 2171
Français Tel: +33 (0) 1 41 91 8790

National Semiconductor
Asia Pacific Customer
Support Center
Email: ap.support@nsc.com

National Semiconductor
Japan Customer Support Center
Fax: 81-3-5639-7507
Email: jpn.feedback@nsc.com
Tel: 81-3-5639-7560