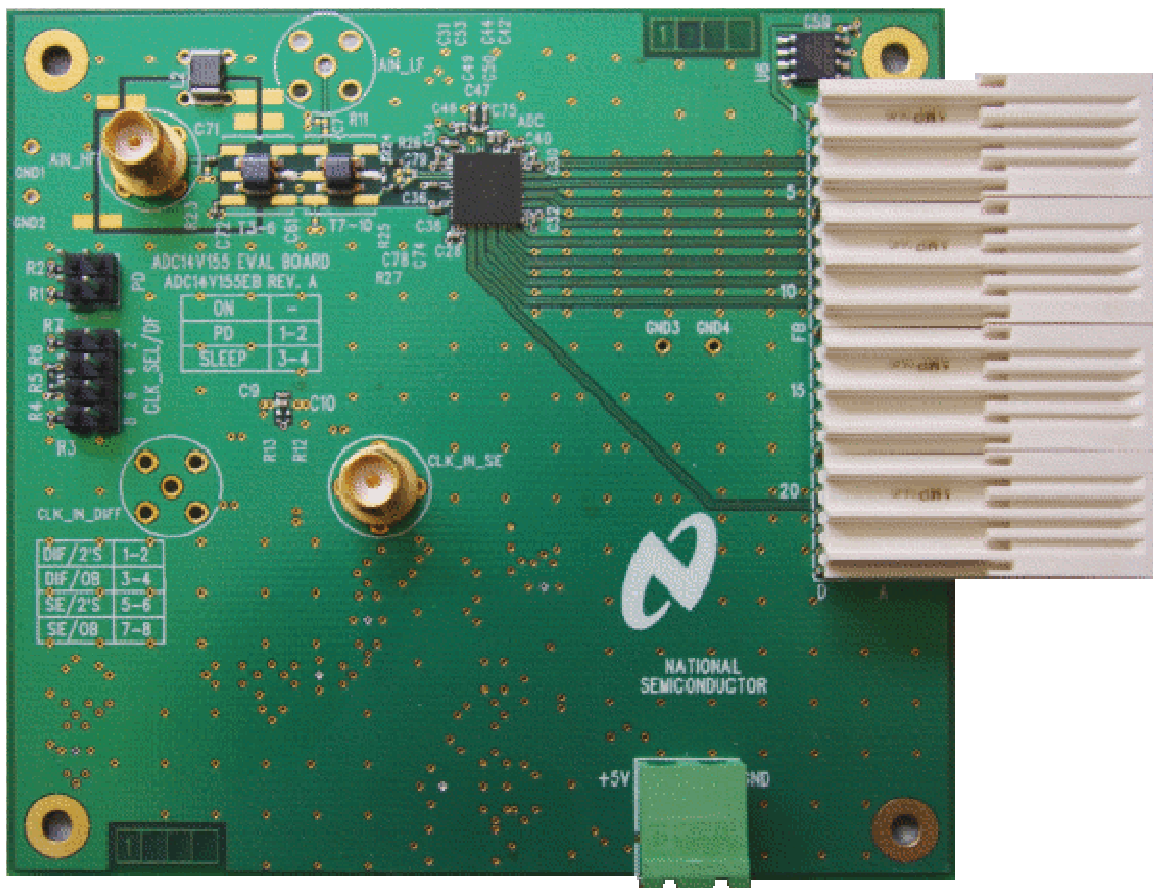


Evaluation Board User's Guide for ADC14V155: 14-Bit, 155 MSPS Analog to Digital Converter with LVDS Outputs



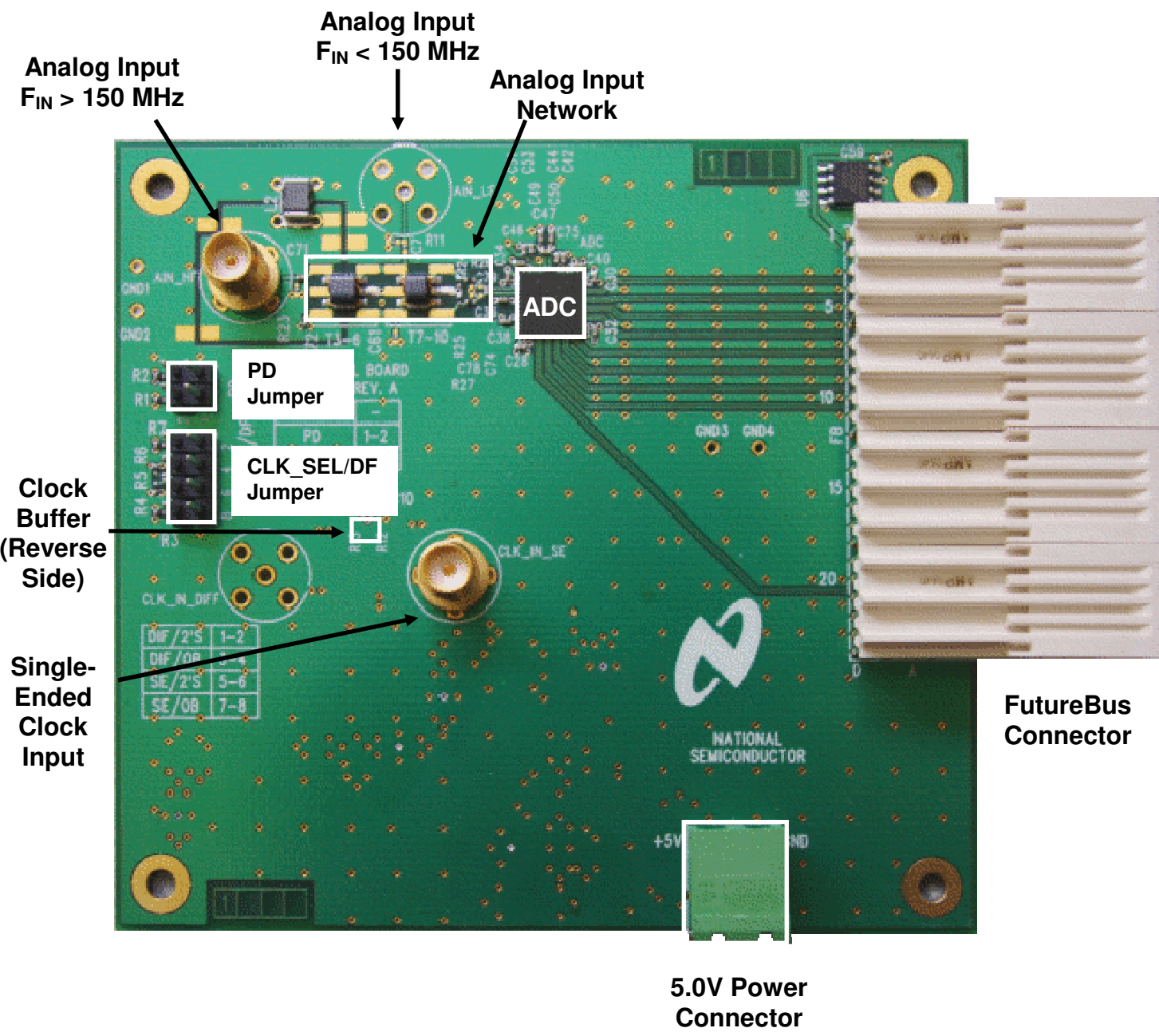


Figure 1. ADC14V155 Evaluation Board Connector and Jumper Locations

1.0 Introduction

The ADC14V155 Evaluation Board is designed to support the ADC14V155 14-bit 155 Mega Sample Per Second (MSPS) Analog to Digital Converter with LVDS Outputs.

The ADC14V155 Evaluation Board comes in two versions:

1. ADC14V155HFEB (high frequency version) for input frequencies greater than 150 MHz.
2. ADC14V155LFEB (low frequency version) for input frequencies less than 150 MHz.

The digital data from the ADC14V155 evaluation board can be captured with a suitable instrument, such as a logic analyzer, or with National Semiconductor's WaveVision signal path data acquisition hardware and software platform. The ADC14V155 evaluation board can be connected to the data acquisition hardware through the FutureBus connector (schematic reference designator FB).

The ADC14V155 is compatible with National Semiconductor's WaveVision 5.1 and higher Signal Path Digital Interface Board and associated WaveVision software. Please note that the ADC14V155 board is not compatible with previous versions of the WaveVision hardware (WaveVision 4.x Digital Interface Boards).

The WaveVision hardware and software package allows fast and easy data acquisition and analysis. The WaveVision hardware connects to a host PC via a USB cable and is fully configured and controlled by the latest WaveVision software. The latest version of the WaveVision software is included in this evaluation kit on a CD-ROM. The WaveVision 5.1 Signal Path Digital Interface hardware is available through the National Semiconductor website (part number: WAVEVSN 5.1).

2.0 Board Assembly

Each evaluation board from the factory is configured for single-ended clock operation and is populated with an analog input network which has been optimized for one of two analog input frequencies ranges:

1. ADC14V155HFEB (high frequency version) for input frequencies greater than 150 MHz.
2. ADC14V155LFEB (low frequency version) for input frequencies less than 150 MHz.

Please refer to the input circuit configurations described in the Analog Input Section (4.2) of this guide.

The location and description of the components on the ADC14V155 evaluation board can be found in Figure 1 as well as Section 5.0 (Schematic) and Section 7.0 (Bill of Materials) of this user's guide.

3.0 Quick Start

The ADC14V155 evaluation board enables easy set up for evaluating the performance of the ADC14V155.

If the WaveVision data acquisition and data analysis system is to be used for capturing data, please follow the Quick Start Guide in the WaveVision User's Guide to install the required software and to connect the WaveVision Digital Interface Board to the PC and to the ADC14V155 evaluation board. Please note that the ADC14V155 evaluation board is only compatible with National Semiconductor's WaveVision 5.1 and higher Signal Path Digital Interface boards.

3.1 Evaluation Board Jumper Positions

The ADC14V155 evaluation board jumpers should be configured as follows. Please refer to Figure 1 for the exact jumper locations.

1. **J1** on the reverse of the board should be shorted.
2. The **PD** jumper places the ADC14V155 into either powerdown or sleep mode. Table 1 below shows how to select between the power modes.

PD Jumper Setting	Mode
Open	Normal Operation
1-2	Power-down
3-4	Sleep

Table 1. CLK_SEL/DF Selection Table

3. **CLK_SEL/DF** pin jumpers select the output data format (2's complement or offset binary) and clock mode (single-ended or differential). Table 2 below shows how to select between the clock modes and output data formats. Please note that the ADC14V155 evaluation board is delivered with the ADC14V155 clock input configured for single-ended operation and Offset Binary output data format (Jumper 7-8).

CLK_SEL/DF Jumper Setting	Clock Mode	Output Data Format
1-2	Differential	2's Complement
3-4	Differential	Offset Binary
5-6	Single-Ended	2's Complement
7-8*	Single-Ended	Offset Binary

* As assembled from factory.

Table 2. CLK_SEL/DF Selection Table

3.2 Connecting Power and Signal Sources

1. To power the ADC14V155 evaluation board, connect a 5.0V power supply capable of supplying up to 500mA to the green power connector labeled "+5V" which is located along the bottom edge of the ADC14V155 evaluation board.
2. Use the FutureBus connector (FB) to connect the ADC14V155 evaluation board to the instrument being used to capture the data from the evaluation board. If the WaveVision Digital Interface Board is being used for data capture, please consult the WaveVision User's Guide for details on installing and operating the WaveVision hardware and software system.
3. Connect the clock and signal inputs to the CLK_IN_SE and AIN_XX (where XX = HF or LF) SMA connectors.

4.0 Functional Description

4.1 Clock Input

The clock used to sample the analog input should be applied to the CLK_IN_SE SMA connector (if using the single-ended clock mode).

To achieve the best noise performance (best SNR), a low jitter clock source with total additive jitter less than 150 fs should be used. A low jitter crystal oscillator is recommended, but a sinusoidal signal generator with low phase noise, such as the SMA100A from Rohde & Schwarz or the HP8644B (discontinued) from Agilent / Hewlett Packard, can also be used with a slight degradation in the noise performance. When using a low phase noise clock source, the SNR is primarily degraded by the broadband noise of the signal generator. The clock signal generator amplitude is typically set to +19.9 dBm to produce the highest possible slew rate, but the SNR performance will be impacted minimally by lowering the signal generator amplitude slightly. Placing a bandpass filter between the clock source and the CLK_IN_SE SMA connector will further improve the noise performance of the ADC

by filtering out the broadband noise of the clock source. All results in the ADC14V155 datasheet are obtained with a tunable bandpass filter made by Trilithic, Inc. in the clock signal path.

The noise performance of the ADC14V155 can be improved further by making the edge transitions of the clock signal entering the ADC clock input (pin 11, CLK+) very sharp. The ADC14V155 evaluation board is assembled with a high speed buffer gate (NC7WV125K8X, schematic reference designator U2) in the clock input path to provide a sharp clock edge to the clock inputs and improve the noise performance of the ADC. The amplitude of the clock signal from the NC7WV125K8X high speed buffer is 3.3V.

4.2 Analog Input

To obtain the best distortion results (best SFDR), the analog input network on the evaluation board must be optimized for the signal frequency being applied.

For analog input frequencies up to 150 MHz, the circuit in Figure 2 is recommended. This is the configuration of the assembled ADC14V155LFEB as it is delivered from the factory. For input frequencies above 150 MHz, the circuit in Figure 3 is recommended. This is the configuration of the assembled ADC14V155HFEB as it is delivered from the factory.

A low noise signal generator such as the HP8644B is recommended to drive the signal input of the ADC14V155 evaluation board. The output of the signal generator must be filtered to suppress the harmonic distortion produced by the signal generator and to allow accurate measurement of the ADC14V155 distortion performance. A low pass or a bandpass filter is recommended to filter the analog input signal. In some cases, a second low pass filter may be necessary. The bandpass filter on the analog input will further improve the noise performance of the ADC by filtering the broadband noise of the signal generator. Data shown in the ADC14V155 datasheet was taken with a tunable bandpass filter made by Trilithic in the analog signal path.

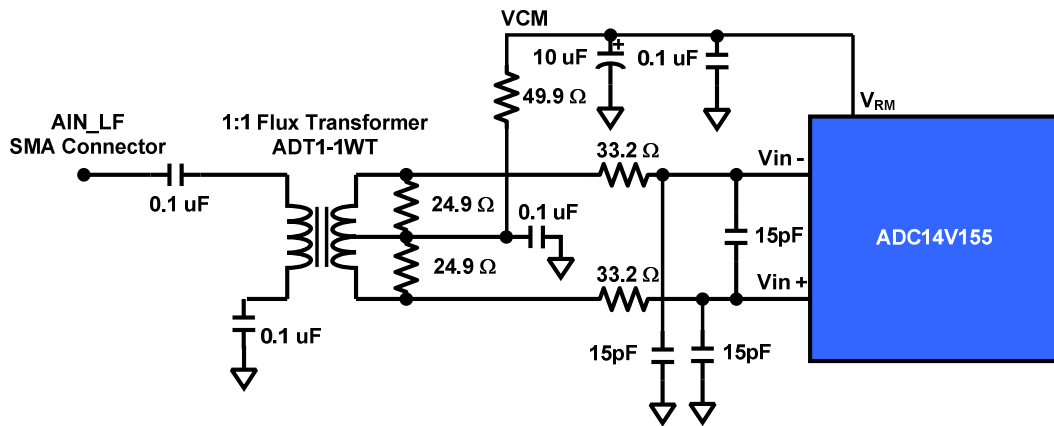


Figure 2. Analog Input Network of ADC14V155LFEB: $F_{IN} < 150$ MHz

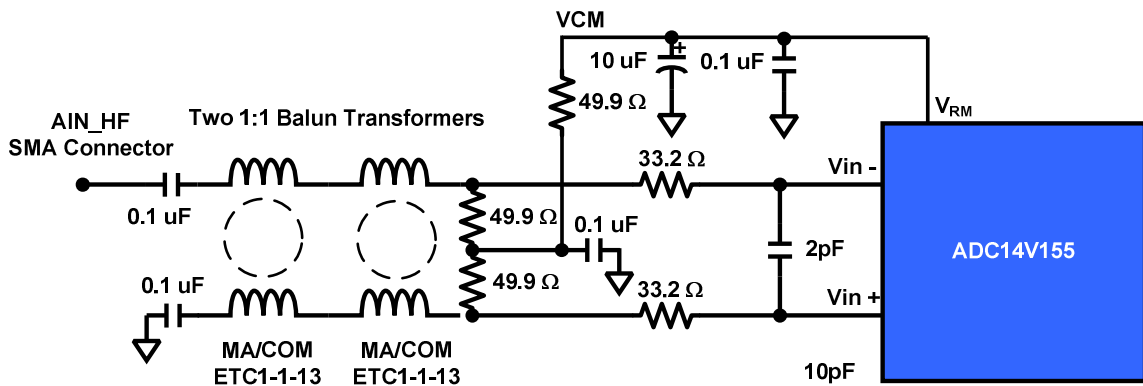


Figure 3. Analog Input Network of ADC14V155HFEB: $F_{IN} > 150$ MHz

4.3 ADC Reference and Input Common Mode

The internal 1.0V reference on the ADC14V155 is used to acquire all of the results in the ADC14V155 datasheet. It is recommended to use the internal reference on the ADC14V155. However, if an external reference is required, the ADC14V155 is capable of accepting an external reference voltage between 0.9V and 1.1V (1.0V recommended). The input impedance of the ADC14V155 V_{REF} pin (pin 46) is 9 k Ω . Therefore, to overdrive this pin, the output impedance of the external reference source should be $\ll 9$ k Ω .

It is recommended to use the voltage at the V_{RM} pin (pin 45) of the ADC14V155 to provide the 1.5V common mode voltage required for the differential analog inputs V_{IN+} and V_{IN-} . The ADC14V155 evaluation board is factory-assembled with V_{RM} connected to the transformer center-tap through a

49.9 Ω resistor to provide the necessary common mode voltage to the differential analog input.

4.4 Board Outputs

The digitized 14-bit output word from the ADC14V155 evaluation board is presented in interleaved double data rate (DDR) format. The digital output lines from the ADC14V155 evaluation board consist of 18 lines which are arranged into 9 LVDS pairs. These 9 pairs of lines carry the 14-bit output data (7 pairs), the DRDY signal which should be used to capture the output data (1 pair) and the over-range bit (OVR) which indicates that the digital output has exceeded the maximum digitizable signal (1 pair).

Since the data is presented in interleaved double data rate (DDR) format, the 14-bit word is output on 7 data pair lines with half of the data (odd bits: D1+/-, D3+/-, ..., D13+/-) being emitted with one clock edge during the first half of the clock period and the other half of the

data (even bits: D0+/-, D2+/-, ..., D12+/-) being emitted with the opposite clock edge during the second half of the clock period. The odd data bits should be captured with the falling edge of DRDY and the rising edge of DRDY should be used to capture the even bits of the data.

The data is available on the evaluation board at pins A5/B5 (MSB +/-) through A11/B11 (LSB +/-) of the FutureBus connector (schematic reference designator FB). Please keep in mind that because the data is in DDR format, pins A5/B5 will carry data bit D13+/- during the first half of the clock period and these lines will carry bit D12+/- during the second half of the clock period. Similarly, pins A11/B11 will carry D1+/- during the first half of the clock period and these pins will carry D0+/- during the second half of the clock period. The DRDY signal which is used to capture the data is also

in LVDS format and it is available at pins A4/D4 (DRDY+/-) on the FutureBus connector. The over-range bit (OVR) LVDS signal is available on pins D22/D21 (OVR+/-) on the FutureBus connector.

Please see the Evaluation Board schematic in Section 5.0 and the ADC14V155 datasheet for further details.

4.5 Power requirements.

Power to the ADC14V155 evaluation board is supplied through the green power connector labeled "+5V" which is located along the bottom edge of the board. Voltage and current requirements are:

- +5V capable of providing up to 500mA (ADC14V155 evaluation board only)

5.0 Evaluation Board Schematic

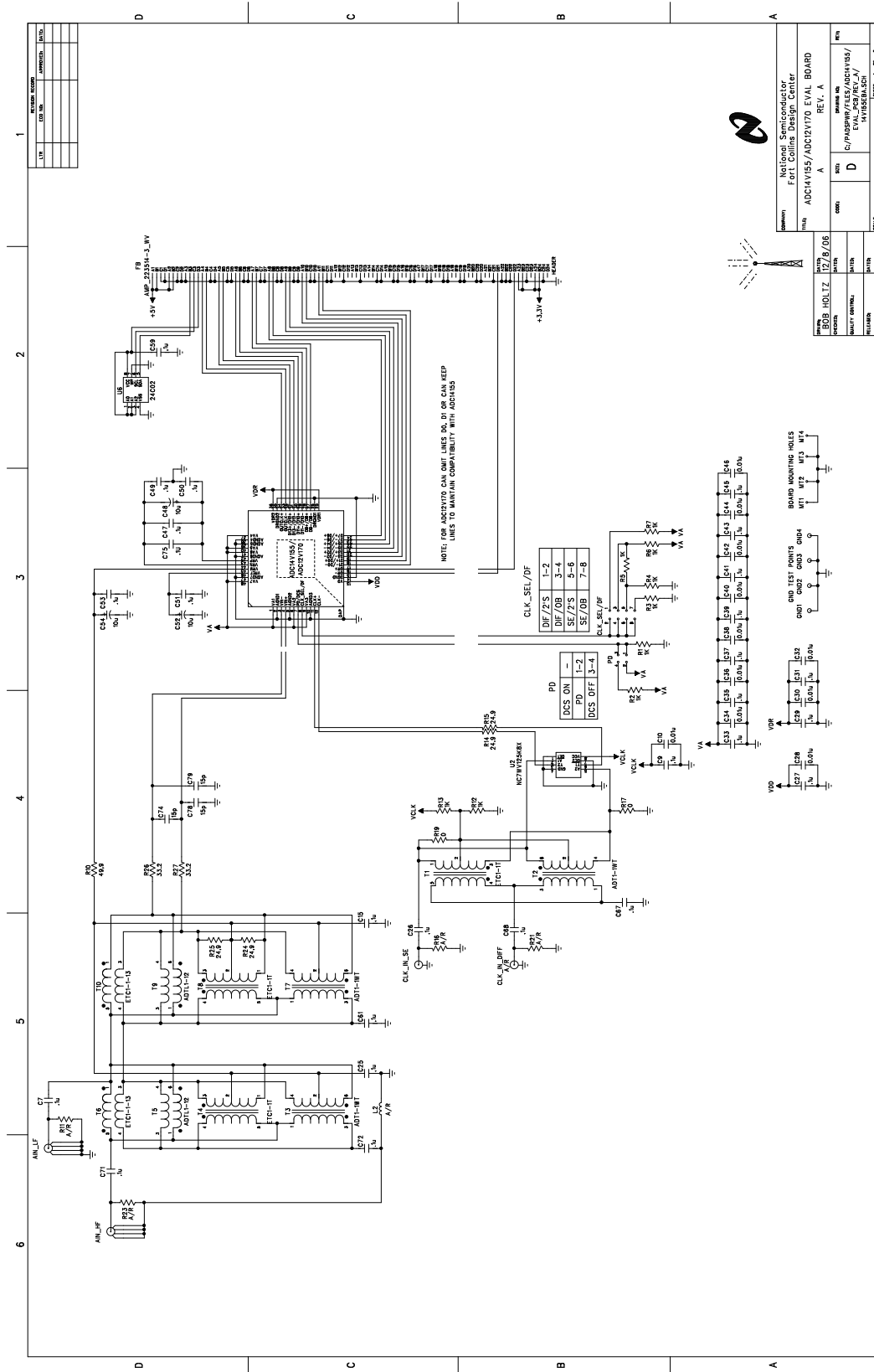


Figure 4. Signals

5.0 Schematic (cont.)

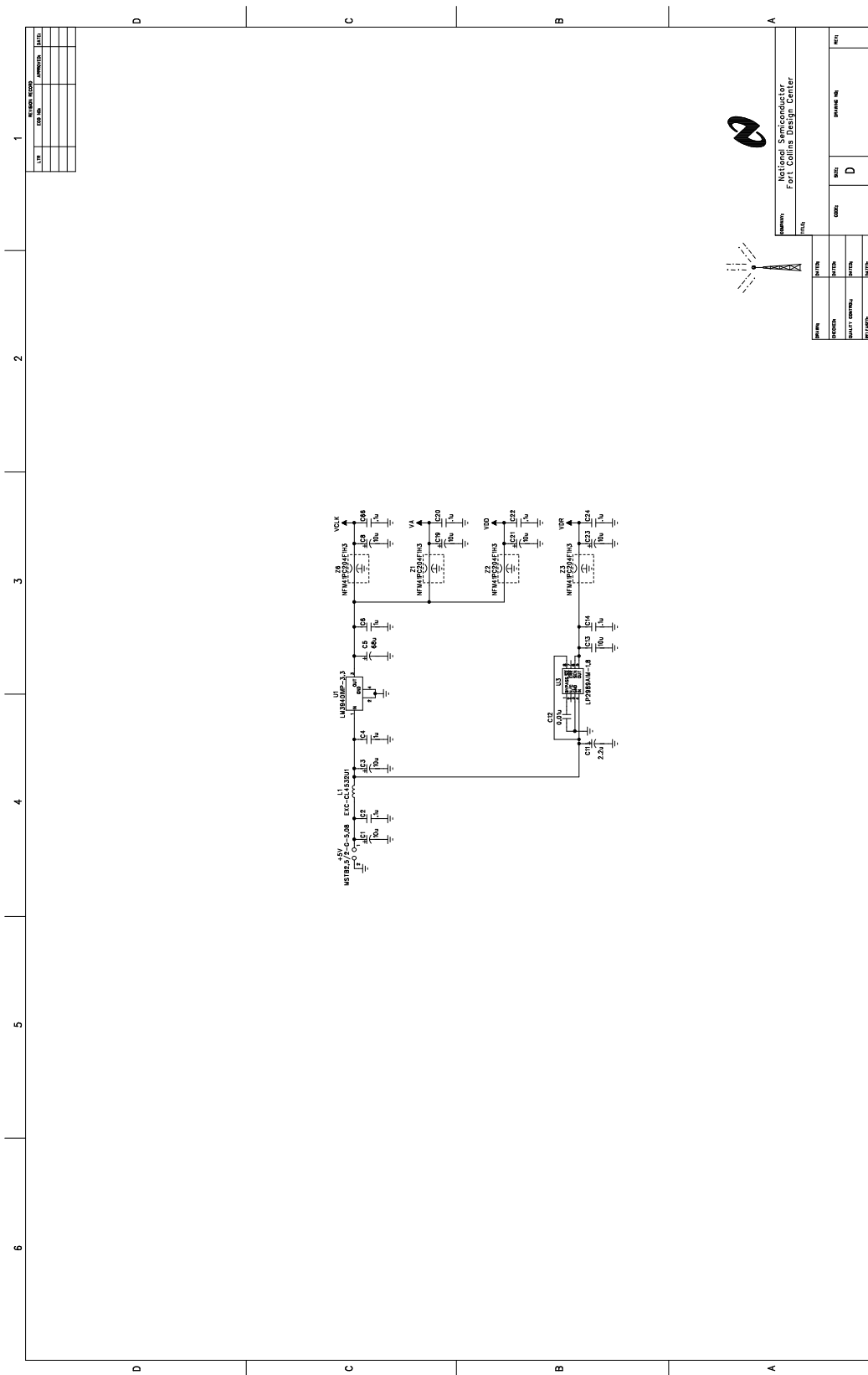


Figure 5. Power Distribution

6.0 Evaluation Board Layout

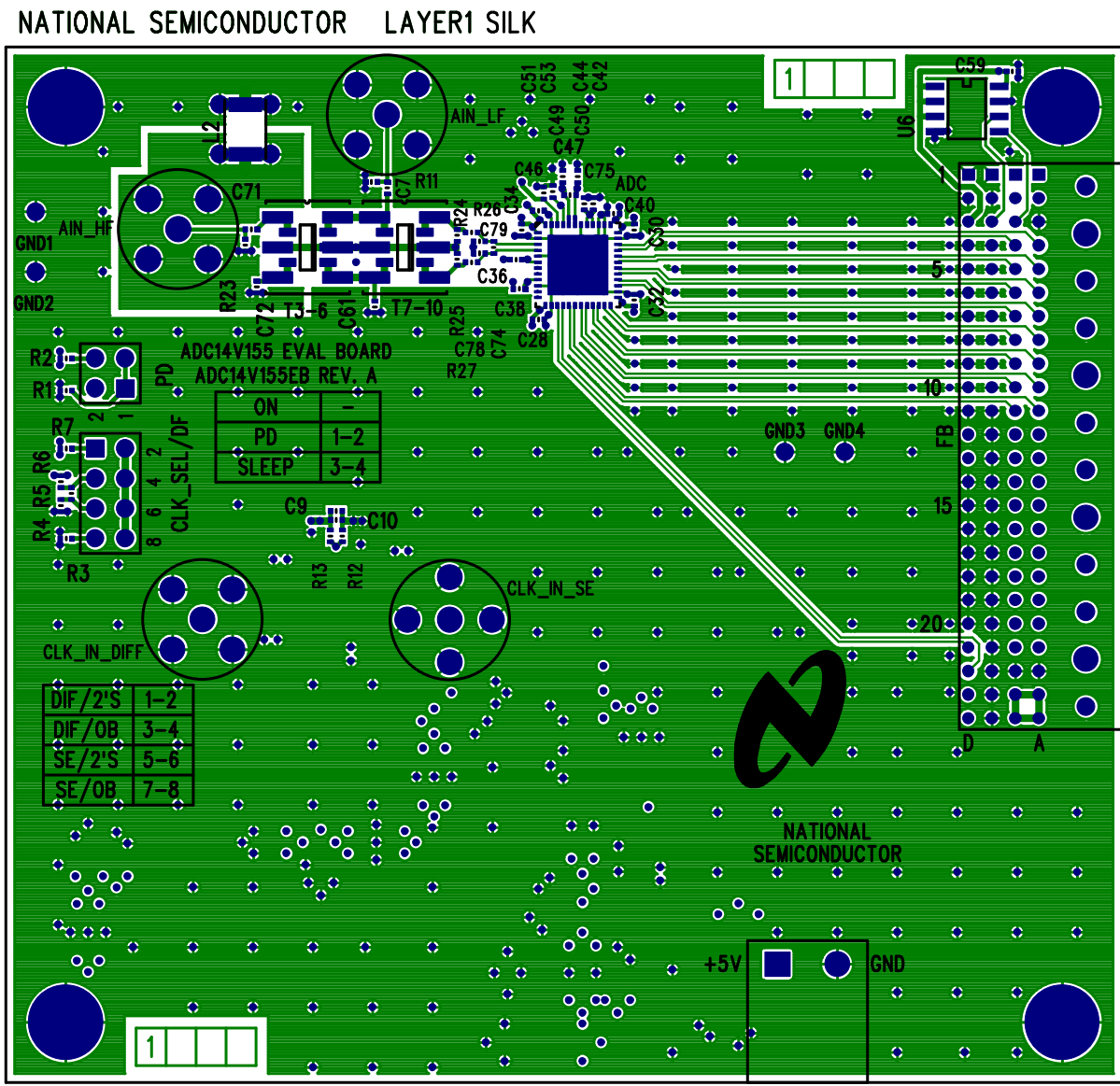


Figure 6. Layer 1 - Signal

6.0 Evaluation Board Layout (cont.)

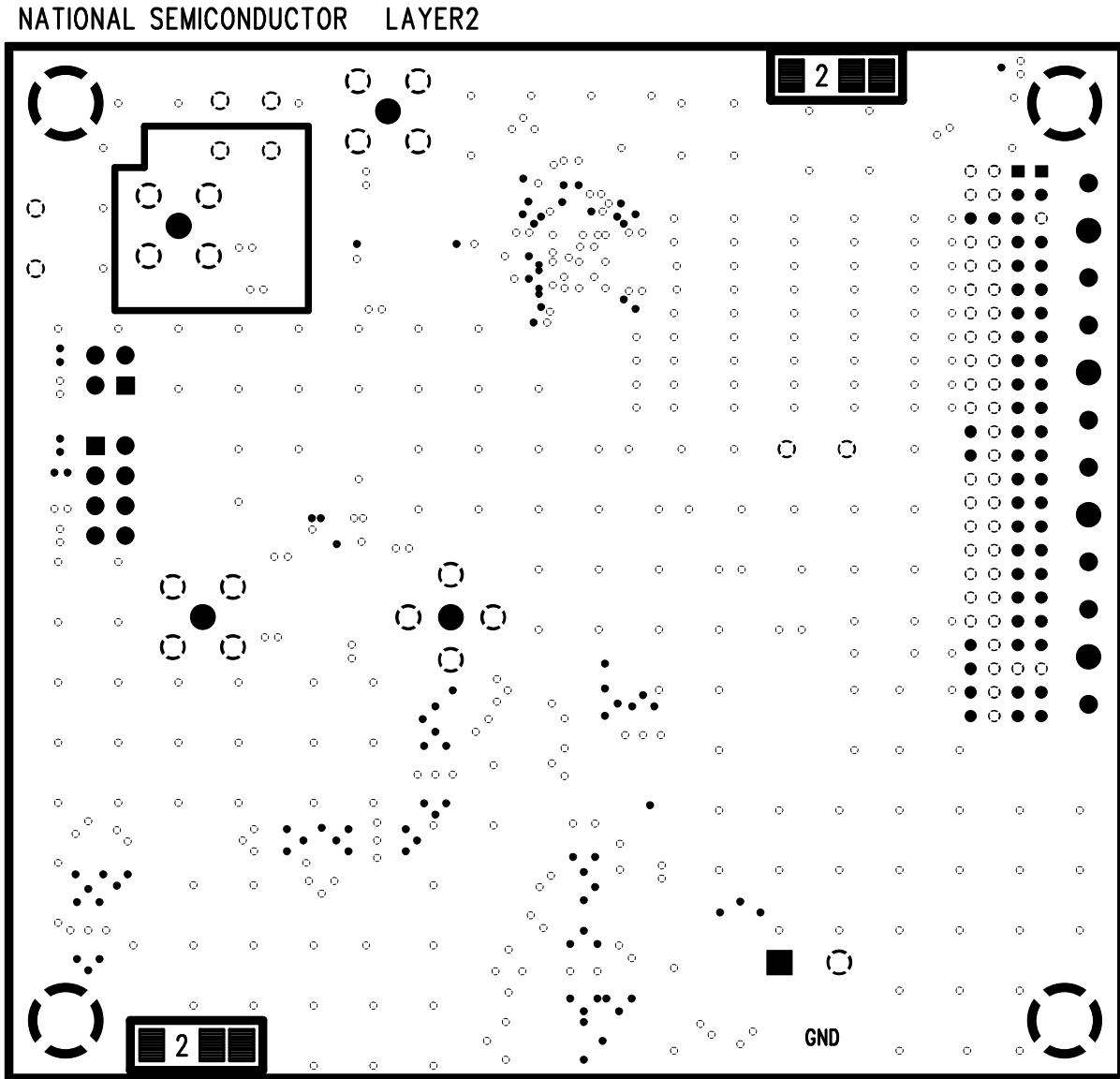


Figure 7. Layer 2 - Ground

6.0 Evaluation Board Layout (cont.)

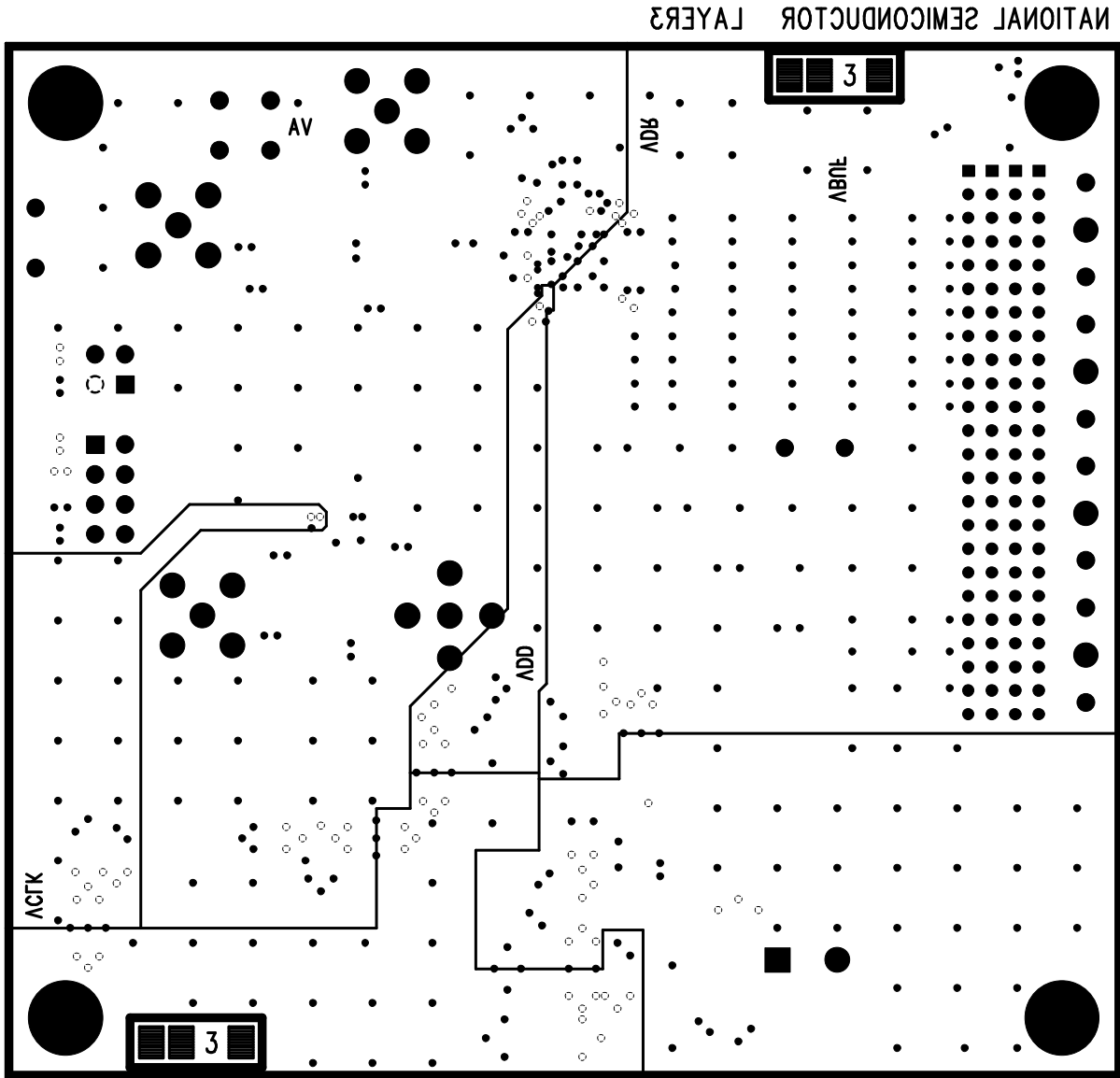


Figure 8. Layer 3 - Power

6.0 Evaluation Board Layout (cont.)

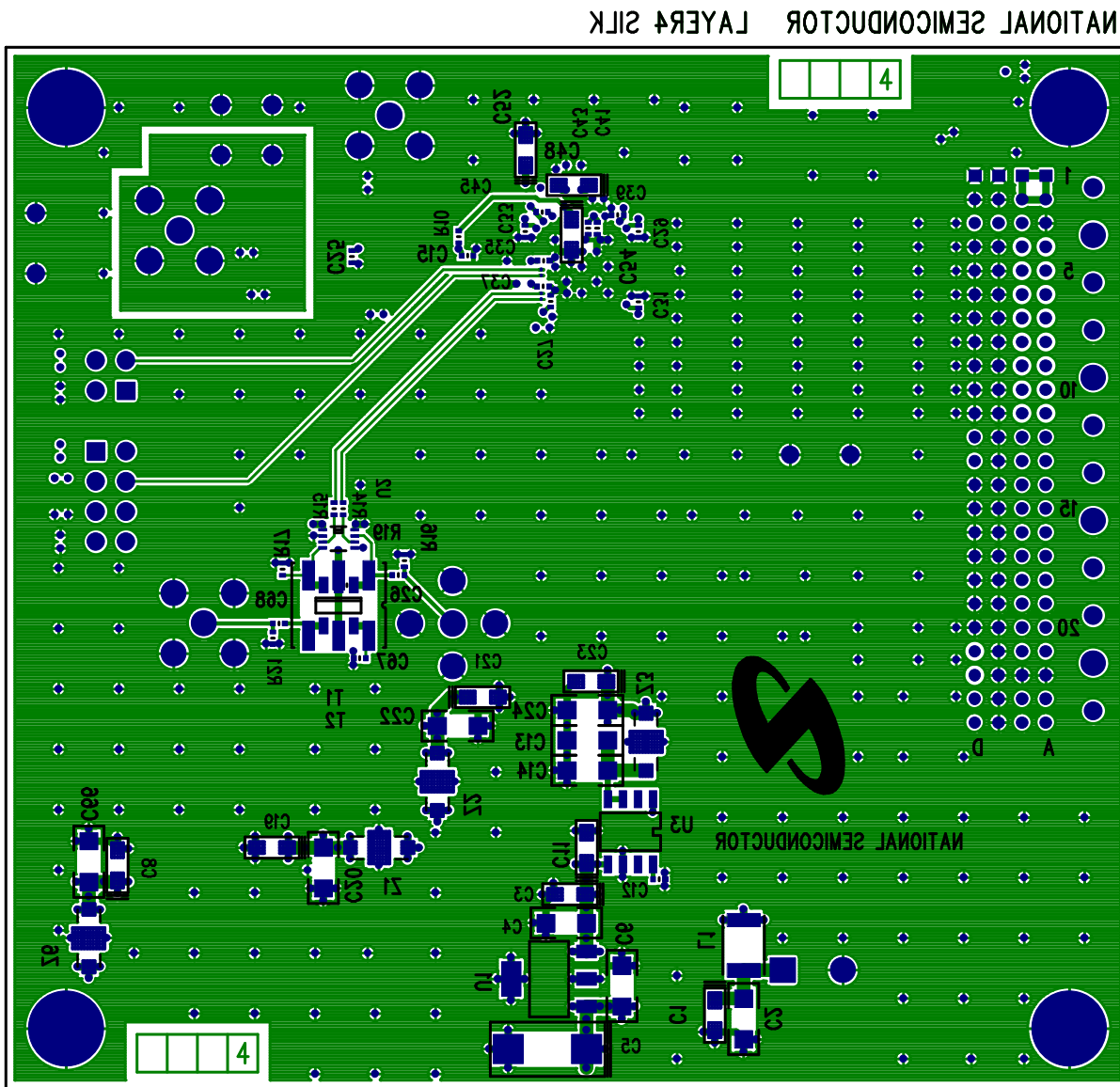


Figure 9. Layer 4 - Signal

7.0 Evaluation Board Bill of Materials

7.1 ADC14V155HFEB (For Fin > 150 MHz)

Item	Quantity	Schematic Reference	Part Name	Description	PCB Footprint	Manufacturer
1	1	U6	24C02	2K SERIAL EEPROM 1.8V	SOIC-8	Atmel
2	1	ADC	ADC14V155	14-Bit, 155 MSPS Analog/Digital Converter with LVDS Outputs	48-LLP	National Semiconductor
3	2	T6, T10	ETC1-1-13	BALUN TRANSFORMER		MA/COM
4	4	FB	AMP 5223514-1	Z-PACK 2mm FB (Futurebus+) RIGHT ANGLE HEADER CONNECTOR	-	AMP
5	1	C75	0.1uF	0.1uF SMD CAP CERAMIC 6.3V X5R 10%	sm/c_0201	Panasonic - ECG
6	6	C2, C14, C20, C22, C24, C66	0.1uF	0.1uF SMD CAP CERAMIC 25V X7R 10%	sm/c_1206	Panasonic - ECG
7	21	C9, C15, C26, C27, C29, C31, C33, C35, C37, C39, C41, C43, C45, C47, C49-51, C53, C59, C71, C72	0.1uF	0.1uF SMD CAP CERAMIC 10V X5R 10%	sm/c_0402	Panasonic - ECG
8	12	C10, C12, C28, C30, C32, C34, C36, C38, C40, C42, C44, C46	0.01uF	0.01uF SMD CAP CERAMIC 16V X7R 10%	sm/c_0402	AVX Corporation
9	1	C13	10uF	10uF SMD CAP CERAMIC 10V X5R 20%	sm/c_1206	Panasonic - ECG
10	1	C74	2pF	2pF SMD CAP CERAMIC 50v +/-0.25pF	sm/c_0402	Murata Electronics
11	2	C4, C6	1uF	1uF SMD CAP CERAMIC 25V X7R 10%	sm/c_1206	Panasonic - ECG
12	9	C1, C3, C8, C19, C21, C23, C48, C52, C54	10uF	10uF SMD CAP TANTALUM 6.3V 20%	sm/c_3216	Kemet
13	1	C11	2.2uF	2.2uF SMD CAP TANTALUM 16V 10%	sm/c_3216	Kemet
14	1	C5	68uF	68uF SMD CAP TANTALUM 6.3V 10%	sm/c_7343	Kemet
15	2	L1, L2	Ferrite Bead Core	SMD FERRITE BEAD CORE 4.5X3.2X1.8	-	Panasonic - ECG
16	1	JTAG	Jumper 1x8	JUMPER BLOCK USING 8 PIN SIP HEADER	-	Samtec
17	1	PD	Jumper 2X2	2X2 JUMPER BLOCK HEADER CUT TO SIZE FROM 2X6 HEADER	-	Samtec
18	1	CLK_SEL/DF	Jumper 2X4	2X4 JUMPER BLOCK HEADER CUT TO SIZE FROM 2X6 HEADER	-	Samtec
19	1	-	Shunt	PLACE SHUNT ACROSS PINS 7-8 ON CLK_SEL/DF JUMPER	-	FCI Electronic
20	1	U1	3.3V Regulator	1A LOW DROPOUT REGULATOR FOR 5V TO 3.3 V CONVERSION	SOT-223	National Semiconductor
21	1	U3	1.8V Regulator	MICROPOWER/LOW NOISE, 500 mA ULTRA LOW-DROPOUT REGULATO	SOIC NARROW -8	National Semiconductor
22	1	+5V	Power Connector Terminal Block	TERMINAL BLOCK 2POS 5.08mm	-	Phoenix Contact
23	1	-	Power Connector Plug	TERMINAL BLOCK PLUG 2POS 5.08mm	-	Phoenix Contact
24	4	MT1-4	Bump-on Rubber Feet	PLACE BUMP ONS AT THE 4 CORNERS, ON BOTTOM OF BOARD	-	3M
25	1	U2	Tinylogic Buffer	TINYLOGIC ULP-A BUFFER WITH 3-STATE OUTPUT 8-LEAD US8, JEDEC MO-187, CA 3.1 mm WIDE	-	Fairchild Semiconductor
26	4	Z1-3, Z6	Noise Suppression Filter	FILTER LC HIGH FREQ .2UF	1806	Murata Electronics
27	2	R17, R19	0 ohms	0 OHM SMD RESISTOR	sm/r_0402	Vishay Dale
28	9	R1-7, R12-13	1 KOHM	1 KOHM SMD RESISTOR 1/16W 1%	sm/r_0402	Panasonic - ECG
29	2	R14-15	24.9 ohms	24.9 OHM SMD RESISTOR 1/16W 1%	sm/r_0402	Yageo Corporation
30	2	R26-27	33.2 ohms	33.2 OHM SMD RESISTOR 1/16W 1%	sm/r_0402	Vishay Dale
31	3	R10, R24-25	49.9 ohms	49.9 OHM SMD RESISTOR 1/16W 1%	sm/r_0402	Yageo Corporation
32	2	AIN_HF, CLK_IN_SE	SMA Input	PCB MOUNTABLE SMA CONNECTOR	-	Emerson Network Power Connectivity

7.0 Evaluation Board Bill of Materials (cont.)

7.2 ADC14V155LFE8 (For Fin < 150 MHz)

Item	Quantity	Schematic Reference	Part Name	Description	PCB Footprint	Manufacturer
1	1	U6	24C02	2K SERIAL EEPROM 1.8V	SOIC-8	Atmel
2	1	ADC	ADC14V155	14-Bit, 155 MSPS Analog/Digital Converter with LVDS Outputs	48-LLP	National Semiconductor
3	1	T7	ADT1-1WT+	WIDEBAND RF TRANSFORMER 0.4MHz - 800 MHz	CD542	MINI CIRCUITS
4	4	FB	AMP_5223514-1	Z-PACK 2mm FB (Futurebus+) RIGHT ANGLE HEADER CONNECTOR	-	AMP
5	1	C75	0.1uF	0.1uF SMD CAP CERAMIC 6.3V X5R 10%	sm/c_0201	Panasonic - ECG
6	6	C2, C14, C20, C22, C24, C66	0.1uF	0.1uF SMD CAP CERAMIC 25V X7R 10%	sm/c_1206	Panasonic - ECG
7	21	C9, C15, C26, C27, C29, C31, C33, C35, C37, C39, C41, C43, C45, C47, C49-51, C53, C59, C71, C72	0.1uF	0.1uF SMD CAP CERAMIC 10V X5R 10%	sm/c_0402	Panasonic - ECG
8	12	C10, C12, C28, C30, C32, C34, C36, C38, C40, C42, C44, C46	0.01uF	0.01uF SMD CAP CERAMIC 16V X7R 10%	sm/c_0402	AVX Corporation
9	1	C13	10uF	10uF SMD CAP CERAMIC 10V X5R 20%	sm/c_1206	Panasonic - ECG
10	3	C74, C78-79	15pF	15pF SMD CAP CERAMIC 50v NP0 5%	sm/c_0402	Panasonic - ECG
11	2	C4, C6	1uF	1uF SMD CAP CERAMIC 25V X7R 10%	sm/c_1206	Panasonic - ECG
12	9	C1, C3, C8, C19, C21, C23, C48, C52, C54	10uF	10uF SMD CAP TANTALUM 6.3V 20%	sm/c_3216	Kemet
13	1	C11	2.2uF	2.2uF SMD CAP TANTALUM 16V 10%	sm/c_3216	Kemet
14	1	C5	68uF	68uF SMD CAP TANTALUM 6.3V 10%	sm/c_7343	Kemet
15	2	L1, L2	Ferrite Bead Core	SMD FERRITE BEAD CORE 4.5X3.2X1.8	-	Panasonic - ECG
16	1	JTAG	Jumper 1x8	JUMPER BLOCK USING 8 PIN SIP HEADER	-	Samtec
17	1	PD	Jumper 2X2	2X2 JUMPER BLOCK HEADER CUT TO SIZE FROM 2X6 HEADER	-	Samtec
18	1	CLK_SEL/DF	Jumper 2X4	2X4 JUMPER BLOCK HEADER CUT TO SIZE FROM 2X6 HEADER	-	Samtec
19	1	-	Shunt	PLACE SHUNT ACROSS PINS 7-8 ON CLK_SEL/DF JUMPER	-	FCI Electronic
20	1	U1	3.3V Regulator	1A LOW DROPOUT REGULATOR FOR 5V TO 3.3 V CONVERSION	SOT-223	National Semiconductor
21	1	U3	1.8V Regulator	MICROPOWER/LOW NOISE, 500 mA ULTRA LOW-DROPOUT REGULATO	SOIC NARROW -8	National Semiconductor
22	1	+5V	Power Connector Terminal Block	TERMINAL BLOCK 2POS 5.08mm	-	Phoenix Contact
23	1	-	Power Connector Plug	TERMINAL BLOCK PLUG 2POS 5.08mm	-	Phoenix Contact
24	4	MT1-4	Bump-on Rubber Feet	PLACE BUMP ONS AT THE 4 CORNERS, ON BOTTOM OF BOARD	-	3M
25	1	U2	Tinylogic Buffer	TINYLOGIC ULP-A BUFFER WITH 3-STATE OUTPUT 8-LEAD US8, JEDEC MO-187, CA 3.1 mm WIDE	-	Fairchild Semiconductor
26	4	Z1-3, Z6	Noise Suppression Filter	FILTER LC HIGH FREQ .2UF	1806	Murata Electronics
27	2	R17, R19	0 ohms	0 OHM SMD RESISTOR	sm/r_0402	Vishay Dale
28	9	R1-7, R12-13	1 KOHM	1 KOHM SMD RESISTOR 1/16W 1%	sm/r_0402	Panasonic - ECG
29	4	R14-15, R24-25	24.9 ohms	24.9 OHM SMD RESISTOR 1/16W 1%	sm/r_0402	Yageo Corporation
30	2	R26-27	33.2 ohms	33.2 OHM SMD RESISTOR 1/16W 1%	sm/r_0402	Vishay Dale
31	1	R10	49.9 ohms	49.9 OHM SMD RESISTOR 1/16W 1%	sm/r_0402	Yageo Corporation
32	2	AIN_LF, CLK_IN_SE	SMA Input	PCB MOUNTABLE SMA CONNECTOR	-	Emerson Network Power Connectivity


The ADC14V155 Evaluation Board is intended for product evaluation purposes only and is not intended for resale to end consumers, is not authorized for such use and is not designed for compliance with European EMC Directive 89/336/EEC.

WaveVision is a trademark of National Semiconductor Corporation. National does not assume any responsibility for use of any circuitry or software supplied or described. No circuit patent licenses are implied.

LIFE SUPPORT POLICY

NATIONAL'S PRODUCTS ARE NOT AUTHORIZED FOR USE AS CRITICAL COMPONENTS IN LIFE SUPPORT DEVICES OR SYSTEMS WITHOUT THE EXPRESS WRITTEN APPROVAL OF THE PRESIDENT OF NATIONAL SEMICONDUCTOR CORPORATION. As used herein:

1. Life support devices or systems are devices or systems which, (a) are intended for surgical implant into the body, or (b) support or sustain life, and whose failure to perform, when properly used in accordance with instructions for use provided in the labeling, can be reasonably expected to result in a significant injury to the user.
2. A critical component is any component in a life support device or system whose failure to perform can be reasonably expected to cause the failure of the life support device or system, or to affect its safety or effectiveness.

	National Semiconductor Corporation Americas Tel: 1-800-272-9959 Fax: 1-800-737-7018 Email: support@nsc.com	National Semiconductor Europe Fax: +49 (0) 1 80-530 85 86 Email: europe.support@nsc.com Deutsch Tel: +49 (0) 1 80-530 85 85 English Tel: +49 (0) 1 80 532 78 32	National Semiconductor Asia Pacific Customer Response Group Tel: 65-2544466 Fax: 65-2504466 Email: sea.support@nsc.com	National Semiconductor Japan Ltd. Tel: 81-3-5639-7560 Fax: 81-3-5639-7507
---	--	--	--	--

National does not assume any responsibility for any circuitry described, no circuit patent licenses are implied and National reserves the right at any time without notice to change said circuitry and specifications.

IMPORTANT NOTICE

Texas Instruments Incorporated and its subsidiaries (TI) reserve the right to make corrections, modifications, enhancements, improvements, and other changes to its products and services at any time and to discontinue any product or service without notice. Customers should obtain the latest relevant information before placing orders and should verify that such information is current and complete. All products are sold subject to TI's terms and conditions of sale supplied at the time of order acknowledgment.

TI warrants performance of its hardware products to the specifications applicable at the time of sale in accordance with TI's standard warranty. Testing and other quality control techniques are used to the extent TI deems necessary to support this warranty. Except where mandated by government requirements, testing of all parameters of each product is not necessarily performed.

TI assumes no liability for applications assistance or customer product design. Customers are responsible for their products and applications using TI components. To minimize the risks associated with customer products and applications, customers should provide adequate design and operating safeguards.

TI does not warrant or represent that any license, either express or implied, is granted under any TI patent right, copyright, mask work right, or other TI intellectual property right relating to any combination, machine, or process in which TI products or services are used. Information published by TI regarding third-party products or services does not constitute a license from TI to use such products or services or a warranty or endorsement thereof. Use of such information may require a license from a third party under the patents or other intellectual property of the third party, or a license from TI under the patents or other intellectual property of TI.

Reproduction of TI information in TI data books or data sheets is permissible only if reproduction is without alteration and is accompanied by all associated warranties, conditions, limitations, and notices. Reproduction of this information with alteration is an unfair and deceptive business practice. TI is not responsible or liable for such altered documentation. Information of third parties may be subject to additional restrictions.

Resale of TI products or services with statements different from or beyond the parameters stated by TI for that product or service voids all express and any implied warranties for the associated TI product or service and is an unfair and deceptive business practice. TI is not responsible or liable for any such statements.

TI products are not authorized for use in safety-critical applications (such as life support) where a failure of the TI product would reasonably be expected to cause severe personal injury or death, unless officers of the parties have executed an agreement specifically governing such use. Buyers represent that they have all necessary expertise in the safety and regulatory ramifications of their applications, and acknowledge and agree that they are solely responsible for all legal, regulatory and safety-related requirements concerning their products and any use of TI products in such safety-critical applications, notwithstanding any applications-related information or support that may be provided by TI. Further, Buyers must fully indemnify TI and its representatives against any damages arising out of the use of TI products in such safety-critical applications.

TI products are neither designed nor intended for use in military/aerospace applications or environments unless the TI products are specifically designated by TI as military-grade or "enhanced plastic." Only products designated by TI as military-grade meet military specifications. Buyers acknowledge and agree that any such use of TI products which TI has not designated as military-grade is solely at the Buyer's risk, and that they are solely responsible for compliance with all legal and regulatory requirements in connection with such use.

TI products are neither designed nor intended for use in automotive applications or environments unless the specific TI products are designated by TI as compliant with ISO/TS 16949 requirements. Buyers acknowledge and agree that, if they use any non-designated products in automotive applications, TI will not be responsible for any failure to meet such requirements.

Following are URLs where you can obtain information on other Texas Instruments products and application solutions:

Products

Audio	www.ti.com/audio
Amplifiers	amplifier.ti.com
Data Converters	dataconverter.ti.com
DLP® Products	www.dlp.com
DSP	dsp.ti.com
Clocks and Timers	www.ti.com/clocks
Interface	interface.ti.com
Logic	logic.ti.com
Power Mgmt	power.ti.com
Microcontrollers	microcontroller.ti.com
RFID	www.ti-rfid.com
OMAP Mobile Processors	www.ti.com/omap
Wireless Connectivity	www.ti.com/wirelessconnectivity

Applications

Automotive and Transportation	www.ti.com/automotive
Communications and Telecom	www.ti.com/communications
Computers and Peripherals	www.ti.com/computers
Consumer Electronics	www.ti.com/consumer-apps
Energy and Lighting	www.ti.com/energy
Industrial	www.ti.com/industrial
Medical	www.ti.com/medical
Security	www.ti.com/security
Space, Avionics and Defense	www.ti.com/space-avionics-defense
Video and Imaging	www.ti.com/video

TI E2E Community Home Page

e2e.ti.com

Mailing Address: Texas Instruments, Post Office Box 655303, Dallas, Texas 75265
Copyright © 2012, Texas Instruments Incorporated