

## MSP430F261x, MSP430F241x Mixed-Signal Microcontrollers

### 1 Features

- Low supply voltage range: 1.8 V to 3.6 V
- Ultra-low power consumption
  - Active mode: 365  $\mu$ A at 1 MHz, 2.2 V
  - Standby mode (VLO): 0.5  $\mu$ A
  - Off mode (RAM retention): 0.1  $\mu$ A
- Wake up from standby mode in less than 1  $\mu$ s
- 16-bit RISC architecture, 62.5-ns instruction cycle time
- Three-channel internal DMA (MSP430F261x only)
- 12-bit analog-to-digital converter (ADC) with internal reference, sample-and-hold, and autoscan feature
- Dual 12-bit digital-to-analog converters (DACs) with synchronization (MSP430F261x only)
- 16-bit Timer\_A with three capture/compare registers
- 16-bit Timer\_B with seven capture/compare registers with shadow registers
- On-chip comparator
- Four universal serial communication interfaces (USCIs)
  - USCI\_A0 and USCI\_A1
    - Enhanced UART supporting automatic baud-rate detection
    - IrDA encoder and decoder
    - Synchronous SPI
  - USCI\_B0 and USCI\_B1
    - I<sup>2</sup>C
    - Synchronous SPI
- Supply voltage supervisor and monitor with programmable level detection
- Brownout detector
- Bootloader (BSL)
- Serial onboard programming, no external programming voltage needed, programmable code protection by security fuse
- Family members (also see [Device Comparison](#))
  - MSP430F2416
    - 92KB + 256 bytes flash memory
    - 4KB RAM
  - MSP430F2417
    - 92KB + 256 bytes flash memory
    - 8KB RAM
  - MSP430F2418
    - 116KB + 256 bytes flash memory
    - 8KB RAM
  - MSP430F2419
    - 120KB + 256 bytes flash memory
    - 4KB RAM
  - MSP430F2616
    - 92KB + 256 bytes flash memory
    - 4KB RAM
  - MSP430F2617
    - 92KB + 256 bytes flash memory
    - 8KB RAM
  - MSP430F2618
    - 116KB + 256 bytes flash memory
    - 8KB RAM
  - MSP430F2619
    - 120KB + 256 bytes flash memory
    - 4KB RAM
- Available in 80-pin quad flat pack (LQFP), 64-pin LQFP, and 113-pin ball grid array (nFBGA)

### 2 Applications

- Sensor systems
- Industrial control applications
- Hand-held meters
- Medical imaging applications

### 3 Description

The Texas Instruments MSP430™ family of ultra-low-power microcontrollers consists of several devices featuring different sets of peripherals targeted for various applications. The architecture, combined with five low-power modes is optimized to achieve extended battery life in portable measurement applications. The device features a powerful 16-bit RISC CPU, 16-bit registers, and constant generators that contribute to maximum code efficiency. The calibrated digitally controlled oscillator (DCO) allows wake-up from low-power modes to active mode in less than 1  $\mu$ s.

The MSP430F261x and MSP430F241x series are microcontroller configurations with two built-in 16-bit timers, a fast 12-bit ADC, a comparator, two 12-bit DACs, four USCI modules, DMA, and up to 64 I/O pins. The MSP430F241x devices are identical to the MSP430F261x devices, with the exception that the DAC12 and the DMA modules are not implemented.

The LQFP-64 package is also available as a nonmagnetic package for medical imaging applications.

For complete module descriptions, see the [MSP430F2xx and MSP430G2xx Family User's Guide](#).



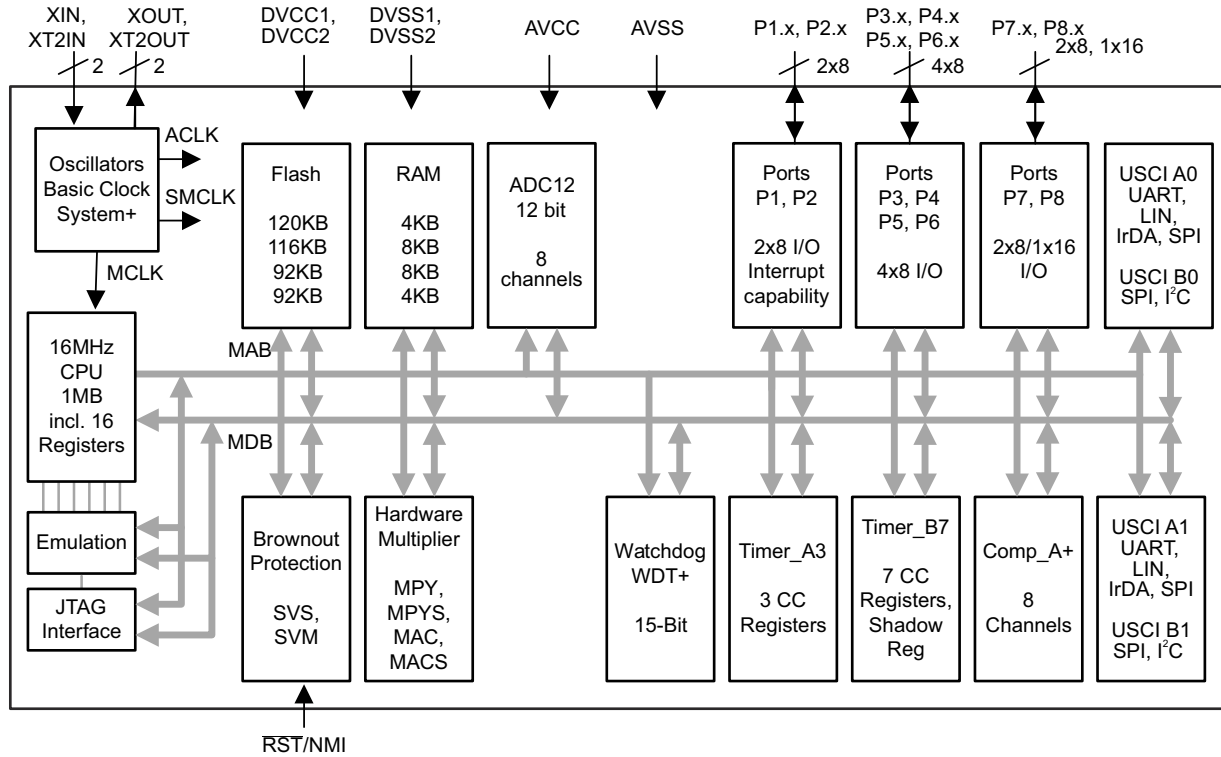
### Device Information

| PART NUMBER <sup>(1)</sup>     | PACKAGE                     | BODY SIZE <sup>(2)</sup> |
|--------------------------------|-----------------------------|--------------------------|
| MSP430F2619TPN                 | LQFP (80)                   | 12 mm × 12 mm            |
| MSP430F2619TPM                 | LQFP (64)                   | 10 mm × 10 mm            |
| MSP430F2619TZCA                | nFBGA (113)                 | 7 mm × 7 mm              |
| MSP430F2619TZQW <sup>(3)</sup> | MicroStar Junior™ BGA (113) | 7 mm × 7 mm              |

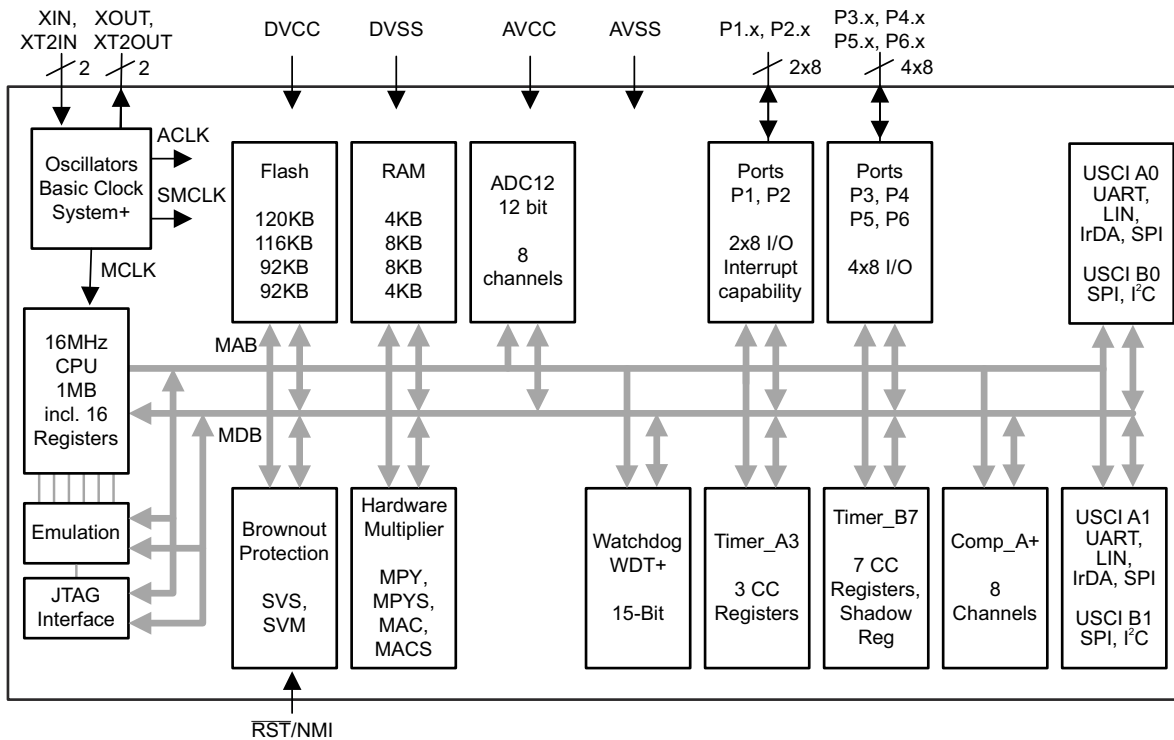
- (1) For the most current part, package, and ordering information, see the *Package Option Addendum* in [Section 11](#), or see the TI website at [www.ti.com](http://www.ti.com).
- (2) The sizes shown here are approximations. For the package dimensions with tolerances, see the *Mechanical Data* in [Section 11](#).
- (3) All orderable part numbers in the ZQW (MicroStar Junior BGA) package have been changed to a status of Last Time Buy. Visit the [Product life cycle page](#) for details on this status.

## 4 Functional Block Diagrams

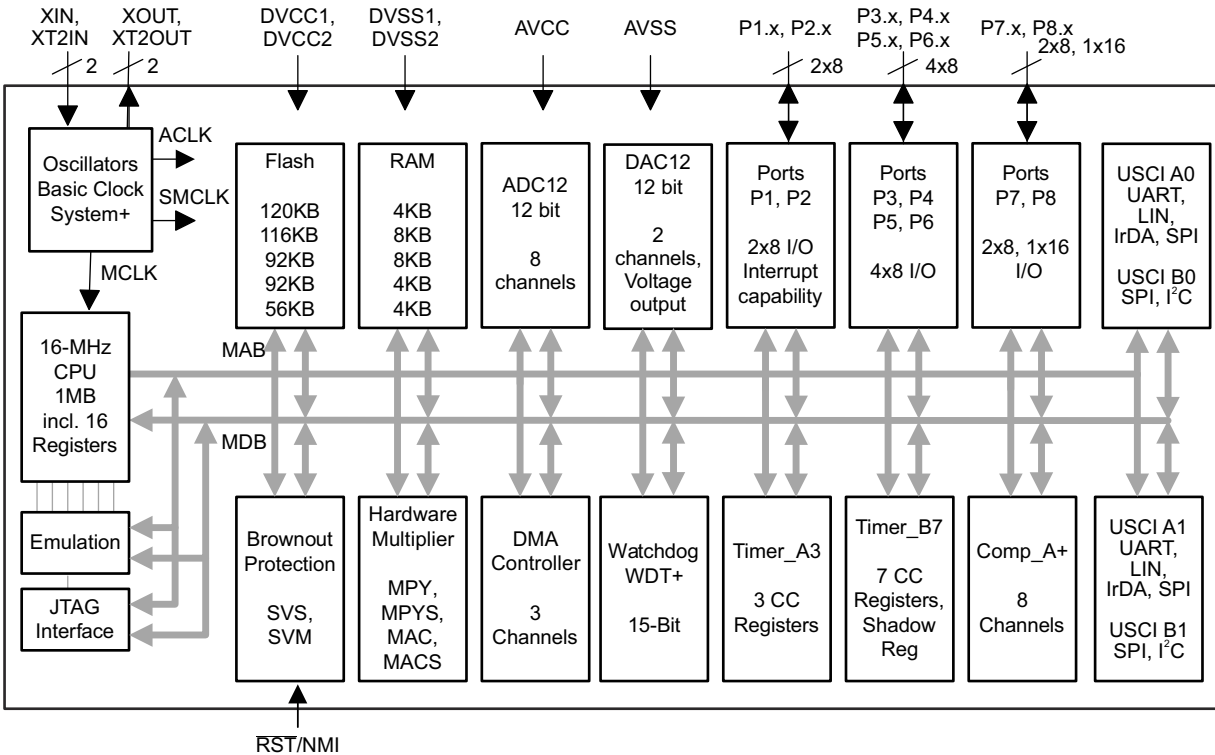
Figure 4-1 through Figure 4-4 show the functional block diagrams.



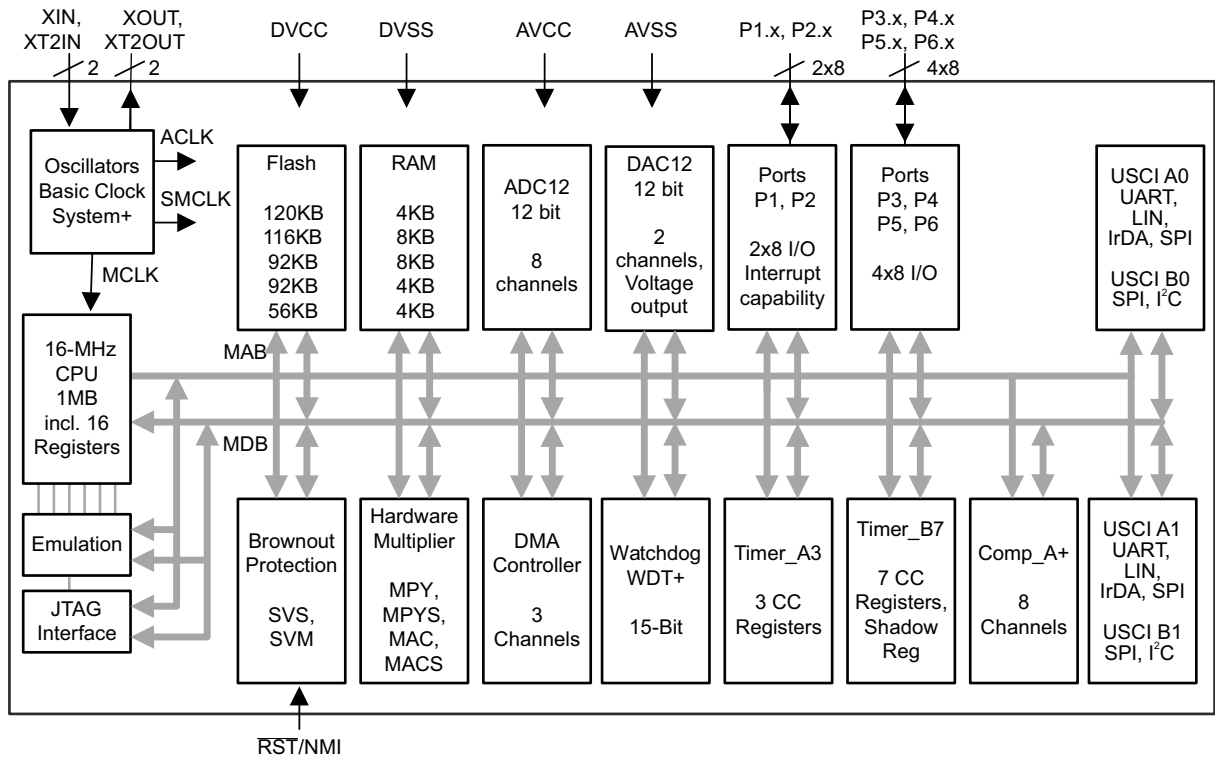
**Figure 4-1. MSP430F241x Functional Block Diagram, PN or ZCA or ZQW Package**



**Figure 4-2. MSP430F241x Functional Block Diagram, PM Package**



**Figure 4-3. MSP430F261x Functional Block Diagram, PN or ZCA Package**



**Figure 4-4. MSP430F261x Functional Block Diagram, PM Package**

## Table of Contents

|   |    |  |     |
|---|----|--|-----|
| <b>1 Features</b> .....   | 1  | 8.31 Crystal Oscillator LFXT1, High-Frequency Mode...                        | 38  |
| <b>2 Applications</b> .....   | 1  | 8.32 Typical Characteristics – LFXT1 Oscillator in<br>HF Mode (XTS = 1)..... | 39  |
| <b>3 Description</b> .....  | 1  | 8.33 Crystal Oscillator XT2.....   | 40  |
| <b>4 Functional Block Diagrams</b> .....  | 3  | 8.34 Typical Characteristics – XT2 Oscillator.....                           | 41  |
| <b>5 Revision History</b> .....   | 6  | 8.35 Timer_A.....  | 42  |
| <b>6 Device Comparison</b> .....  | 8  | 8.36 Timer_B.....  | 42  |
| 6.1 Related Products.....   | 8  | 8.37 USCI (UART Mode).....   | 42  |
| <b>7 Terminal Configuration and Functions</b> .....   | 9  | 8.38 USCI (SPI Master Mode).....   | 42  |
| 7.1 Pin Diagrams.....   | 9  | 8.39 USCI (SPI Slave Mode).....  | 43  |
| 7.2 Signal Descriptions.....  | 14 | 8.40 USCI (I <sup>2</sup> C Mode).....                                       | 45  |
| <b>8 Specifications</b> .....   | 19 | 8.41 Comparator_A+.....  | 46  |
| 8.1 Absolute Maximum Ratings.....   | 19 | 8.42 Typical Characteristics – Comparator_A+.....                            | 48  |
| 8.2 ESD Ratings.....  | 19 | 8.43 12-Bit ADC Power Supply and Input Range<br>Conditions .....             | 49  |
| 8.3 Recommended Operating Conditions.....   | 19 | 8.44 12-Bit ADC External Reference.....                                      | 49  |
| 8.4 Active Mode Supply Current Into V <sub>CC</sub> Excluding<br>External Current.....        | 21 | 8.45 12-Bit ADC Built-In Reference.....                                      | 50  |
| 8.5 Typical Characteristics – Active Mode Supply<br>Current (Into V <sub>CC</sub> ).....      | 21 | 8.46 12-Bit ADC Timing Parameters.....                                       | 52  |
| 8.6 Low-Power Mode Supply Currents (Into V <sub>CC</sub> )<br>Excluding External Current..... | 22 | 8.47 12-Bit ADC Linearity Parameters.....                                    | 52  |
| 8.7 Typical Characteristics – LPM4 Current.....   | 23 | 8.48 12-Bit ADC Temperature Sensor and Built-In<br>V <sub>MID</sub> .....    | 53  |
| 8.8 Schmitt-Trigger Inputs (Ports P1 to P8, RST/<br>NMI, JTAG, XIN, and XT2IN).....           | 24 | 8.49 12-Bit DAC Supply Specifications.....                                   | 53  |
| 8.9 Inputs (Ports P1 and P2).....   | 24 | 8.50 12-Bit DAC Linearity Specifications.....                                | 54  |
| 8.10 Leakage Current (Ports P1 to P8).....  | 24 | 8.51 Typical Characteristics, 12-Bit DAC Linearity<br>Specifications.....    | 55  |
| 8.11 Standard Inputs (RST/NMI).....   | 24 | 8.52 12-Bit DAC Output Specifications.....                                   | 55  |
| 8.12 Outputs (Ports P1 to P8).....  | 25 | 8.53 12-Bit DAC Reference Input Specifications.....                          | 56  |
| 8.13 Output Frequency (Ports P1 to P8).....   | 25 | 8.54 12-Bit DAC Dynamic Specifications.....                                  | 56  |
| 8.14 Typical Characteristics – Outputs.....   | 26 | 8.55 Flash Memory.....   | 58  |
| 8.15 POR and Brownout Reset (BOR).....  | 27 | 8.56 RAM.....  | 58  |
| 8.16 Typical Characteristics – POR and BOR.....   | 28 | 8.57 JTAG Interface.....   | 58  |
| 8.17 Supply Voltage Supervisor (SVS), Supply<br>Voltage Monitor (SVM).....                    | 29 | 8.58 JTAG Fuse.....  | 58  |
| 8.18 Main DCO Characteristics.....  | 31 | <b>9 Detailed Description</b> .....  | 59  |
| 8.19 DCO Frequency.....   | 31 | 9.1 CPU.....   | 59  |
| 8.20 Calibrated DCO Frequencies – Tolerance at<br>Calibration.....                            | 32 | 9.2 Instruction Set.....   | 60  |
| 8.21 Calibrated DCO Frequencies – Tolerance Over<br>Temperature 0°C to 85°C.....              | 32 | 9.3 Operating Modes.....   | 61  |
| 8.22 Calibrated DCO Frequencies – Tolerance Over<br>Supply Voltage V <sub>CC</sub> .....      | 33 | 9.4 Interrupt Vector Addresses.....  | 62  |
| 8.23 Calibrated DCO Frequencies – Overall Tolerance.....                                      | 33 | 9.5 Special Function Registers (SFRs).....                                   | 63  |
| 8.24 Typical Characteristics – Calibrated DCO<br>Frequency.....                               | 34 | 9.6 Memory Organization.....   | 65  |
| 8.25 Wake-up Times From Lower-Power Modes<br>(LPM3, LPM4).....                                | 35 | 9.7 Bootloader (BSL).....  | 65  |
| 8.26 Typical Characteristics – DCO Clock Wake-up<br>Time From LPM3 or LPM4.....               | 35 | 9.8 Flash Memory.....  | 65  |
| 8.27 DCO With External Resistor R <sub>OSC</sub> .....  | 36 | 9.9 Peripherals.....   | 66  |
| 8.28 Typical Characteristics – DCO With External<br>Resistor R <sub>OSC</sub> .....           | 36 | 9.10 Port Diagrams.....  | 76  |
| 8.29 Crystal Oscillator LFXT1, Low-Frequency Mode... 37                                       |    | <b>10 Device and Documentation Support</b> .....                             | 95  |
| 8.30 Internal Very-Low-Power Low-Frequency<br>Oscillator (VLO).....                           | 37 | 10.1 Getting Started.....  | 95  |
|   |    | 10.2 Device Nomenclature.....  | 95  |
|   |    | 10.3 Tools and Software.....   | 97  |
|   |    | 10.4 Documentation Support.....  | 98  |
|   |    | 10.5 Support Resources.....  | 100 |
|   |    | 10.6 Trademarks.....   | 100 |
|   |    | 10.7 Electrostatic Discharge Caution.....                                    | 100 |
|   |    | 10.8 Glossary.....   | 100 |
|   |    | <b>11 Mechanical, Packaging, and Orderable<br/>Information</b> .....         | 100 |

## 5 Revision History

NOTE: Page numbers for previous revisions may differ from page numbers in the current version.

Changes from revision L to revision M

| Changes from May 2, 2020 to March 31, 2022  | Page |
|---|------|
| • Updated the numbering format for tables, figures, and cross references throughout the document.....   | 1    |
| • Changed the $f_{\text{ADC12CLK}}$ MAX value to 7 MHz in <a href="#">Section 8.46 12-Bit ADC Timing Parameters</a> .....   | 52   |
| • Changed the $f_{\text{ADC12OSC}}$ MAX value to 7 MHz in <a href="#">Section 8.46 12-Bit ADC Timing Parameters</a> .....   | 52   |
| • Changed the $t_{\text{CONVERT}}$ MIN value to 1.86 $\mu\text{s}$ in <a href="#">Section 8.46 12-Bit ADC Timing Parameters</a> .....   | 52   |
| • Removed ADC12DIV from the formula for the TYP value of conversion time because ADC12CLK is after this division in <a href="#">Section 8.46 12-Bit ADC Timing Parameters</a> ..... | 52   |
| • Added a link to additional information in <a href="#">Section 9.7, Bootloader (BSL)</a> .....   | 65   |
| • Updated <a href="#">Section 10.5, Support Resources</a> .....   | 100  |

Changes from revision K to revision L

| Changes from November 9, 2012 to May 1, 2020   | Page |
|--|------|
| • Format changes throughout document, including addition of section numbering.....   | 1    |
| • Throughout the document, added the ZCA package.....  | 1    |
| • Added the <i>Device Information</i> table.....   | 1    |
| • Changed the status of all orderable part numbers in the ZQW package.....   | 1    |
| • Added <a href="#">Section 4</a> and moved functional block diagrams to it.....   | 3    |
| • Added <a href="#">Section 6, Device Comparison</a> .....   | 8    |
| • Added <a href="#">Section 8</a> and moved all electrical specifications to it.....   | 19   |
| • Added <a href="#">Section 8.2, ESD Ratings</a> .....   | 19   |
| • Removed "I version" row from $T_A$ row in <a href="#">Section 8.3</a> (all available devices are "T version" temperature range) .....  | 19   |
| • Added separate rows for Information memory segments to <a href="#">Table 9-8, Memory Organization</a> .....  | 65   |
| • Changed all instances of "bootstrap loader" to "bootloader".....   | 65   |
| • Changed all instances of "INCHx = 0x1010" to "INCHx = 1010b", and corrected all values in the ADDRESS OFFSET column in <a href="#">Table 9-11, Labels Used by the ADC Calibration Tags</a> ..... | 66   |
| • Corrected P4DIR.x value (changed from 1 to 0) for Timer_B7.TBCLK entry in <a href="#">Table 9-19, Port P4 (P4.0 to P4.7) Pin Functions</a> .....   | 83   |
| • Added <a href="#">Section 10</a> and moved <i>Trademarks</i> and <i>Electrostatic Discharge Caution</i> sections to it.....  | 95   |
| • Added <a href="#">Section 11, Mechanical, Packaging, and Orderable Information</a> .....   | 100  |

Changes from initial release to revision K

| REVISION                  | COMMENTS  |
|---------------------------|---|
| SLAS541K<br>November 2012 | Changed P8.6/XT2OUT and P8.7/XT2IN to I/O in <a href="#">Signal Descriptions</a>  |
| SLAS541J<br>December 2011 | Added nonmagnetic package option  |
| SLAS541I<br>July 2011     | Changed $T_{\text{stg}}$ , Programmed device, to -55°C to 150°C in <a href="#">Section 8.1</a>  |
| SLAS541H<br>May 2011      | Changed Control Bits/Signals in <a href="#">Table 9-21</a> , <a href="#">Table 9-22</a> , and <a href="#">Table 9-23</a><br>Changed crystal signal names in <a href="#">Table 9-26</a> and <a href="#">Table 9-27</a> |
| SLAS541G<br>March 2011    | Changed limits on $t_{\text{d(sVson)}}$ parameter   |

| REVISION                  | COMMENTS  |
|---------------------------|---|
| SLAS541F<br>December 2009 | Renamed Tags Used by the ADC Calibration Tags table to Tags used by the TLV Structure<br>Changed value of TAG_ADC12_1 from 0x10 to 0x08 in Tags used by the TLV Structure<br>Added CAOUT to P1.0/TACLK, Changed Timer_A3.CCI0A to Timer_A3.CCI1A and Timer_A3.TA0 to Timer_A3.TA1 in P1.2/TA1 row, Changed Timer_A3.CCI0A to Timer_A3.CCI2A and Timer_A3.TA0 to Timer_A3.TA2 in P1.3/TA2 row in Port P1 (P1.0 to P1.7) pin functions table<br>Changed TA0 to Timer_A3.CCI0B in P2.2/CAOUT/TA0/CA4 row of Port P2.0, P2.3, P2.4, P2.6 and P2.7 pin functions table |
| SLAS541E<br>January 2009  | Corrected LFXT1Sx values in Figures 23 and 24<br>Corrected XT2Sx values in Figures 25 and 26<br>Corrected $t_{CMErase}$ MIN value from 200 ms to 20 ms and removed two notes in the flash memory table  |
| SLAS541D<br>November 2008 | Added the ESD disclaimer<br>Added reserved BGA pins to the terminal function list<br>Corrected the references in the output port parameters<br>Corrected the cumulative program time of the flash   |
| SLAS541C<br>June 2008     | Release to market of MSP430F261x BGA devices  |
| SLAS541B<br>May 2008      | Added preview of MSP430F261x BGA devices  |
| SLAS541A<br>October 2007  | PRODUCTION DATA release<br>Corrected the format and the content shown on the first page<br>Corrected pin number of P3.6 and P3.7 in 64-pin package in the terminal function list<br>Corrected the port schematics<br>Corrected "calibration data" section: typos and formatting corrected<br>Added the figure "typical characteristics - LPM4 current"  |
| SLAS541<br>June 2007      | PRODUCT PREVIEW release   |



## 6 Device Comparison

Table 6-1 summarizes the available family members.

**Table 6-1. Device Comparison**

| DEVICE      | FLASH (KB) | RAM (KB) | Timer_A | Timer_B | Comp_A+ | ADC12 | DAC12 | DMA | USCI_A | USCI_B | I/O | PACKAGE |
|-------------|------------|----------|---------|---------|---------|-------|-------|-----|--------|--------|-----|---------|
| 430F2619    | 120        | 4        | 1x TA3  | 1x TB7  | Yes     | Yes   | Yes   | Yes | 2      | 2      | 48  | PM 64   |
|             |            |          |         |         |         |       |       |     |        |        | 64  | PN 80   |
|             |            |          |         |         |         |       |       |     |        |        | 64  | ZCA 113 |
|             |            |          |         |         |         |       |       |     |        |        | 64  | ZQW 113 |
| MSP430F2618 | 116        | 8        | 1x TA3  | 1x TB7  | Yes     | Yes   | Yes   | Yes | 2      | 2      | 48  | PM 64   |
|             |            |          |         |         |         |       |       |     |        |        | 64  | PN 80   |
|             |            |          |         |         |         |       |       |     |        |        | 64  | ZCA 113 |
|             |            |          |         |         |         |       |       |     |        |        | 64  | ZQW 113 |
| MSP430F2617 | 92         | 8        | 1x TA3  | 1x TB7  | Yes     | Yes   | Yes   | Yes | 2      | 2      | 48  | PM 64   |
|             |            |          |         |         |         |       |       |     |        |        | 64  | PN 80   |
|             |            |          |         |         |         |       |       |     |        |        | 64  | ZCA 113 |
|             |            |          |         |         |         |       |       |     |        |        | 64  | ZQW 113 |
| MSP430F2616 | 92         | 4        | 1x TA3  | 1x TB7  | Yes     | Yes   | Yes   | Yes | 2      | 2      | 48  | PM 64   |
|             |            |          |         |         |         |       |       |     |        |        | 64  | PN 80   |
|             |            |          |         |         |         |       |       |     |        |        | 64  | ZCA 113 |
|             |            |          |         |         |         |       |       |     |        |        | 64  | ZQW 113 |
| MSP430F2419 | 120        | 4        | 1x TA3  | 1x TB7  | Yes     | Yes   | No    | No  | 2      | 2      | 48  | PM 64   |
|             |            |          |         |         |         |       |       |     |        |        | 64  | PN 80   |
|             |            |          |         |         |         |       |       |     |        |        | 64  | ZCA 113 |
|             |            |          |         |         |         |       |       |     |        |        | 64  | ZQW 113 |
| MSP430F2418 | 116        | 8        | 1x TA3  | 1x TB7  | Yes     | Yes   | No    | No  | 2      | 2      | 48  | PM 64   |
|             |            |          |         |         |         |       |       |     |        |        | 64  | PN 80   |
|             |            |          |         |         |         |       |       |     |        |        | 64  | ZCA 113 |
|             |            |          |         |         |         |       |       |     |        |        | 64  | ZQW 113 |
| MSP430F2417 | 92         | 8        | 1x TA3  | 1x TB7  | Yes     | Yes   | No    | No  | 2      | 2      | 48  | PM 64   |
|             |            |          |         |         |         |       |       |     |        |        | 64  | PN 80   |
|             |            |          |         |         |         |       |       |     |        |        | 64  | ZCA 113 |
|             |            |          |         |         |         |       |       |     |        |        | 64  | ZQW 113 |
| MSP430F2416 | 92         | 4        | 1x TA3  | 1x TB7  | Yes     | Yes   | No    | No  | 2      | 2      | 48  | PM 64   |
|             |            |          |         |         |         |       |       |     |        |        | 64  | PN 80   |
|             |            |          |         |         |         |       |       |     |        |        | 64  | ZCA 113 |
|             |            |          |         |         |         |       |       |     |        |        | 64  | ZQW 113 |

### 6.1 Related Products

For information about other devices in this family of products or related products, see the following links.

[Overview of 16-bit and 32-bit microcontrollers](#)

High-performance, low-power solutions to enable the autonomous future

[Products for MSP430 ultra-low-power sensing & measurement MCUs](#)

One platform. One ecosystem. Endless possibilities.

[Reference designs](#)

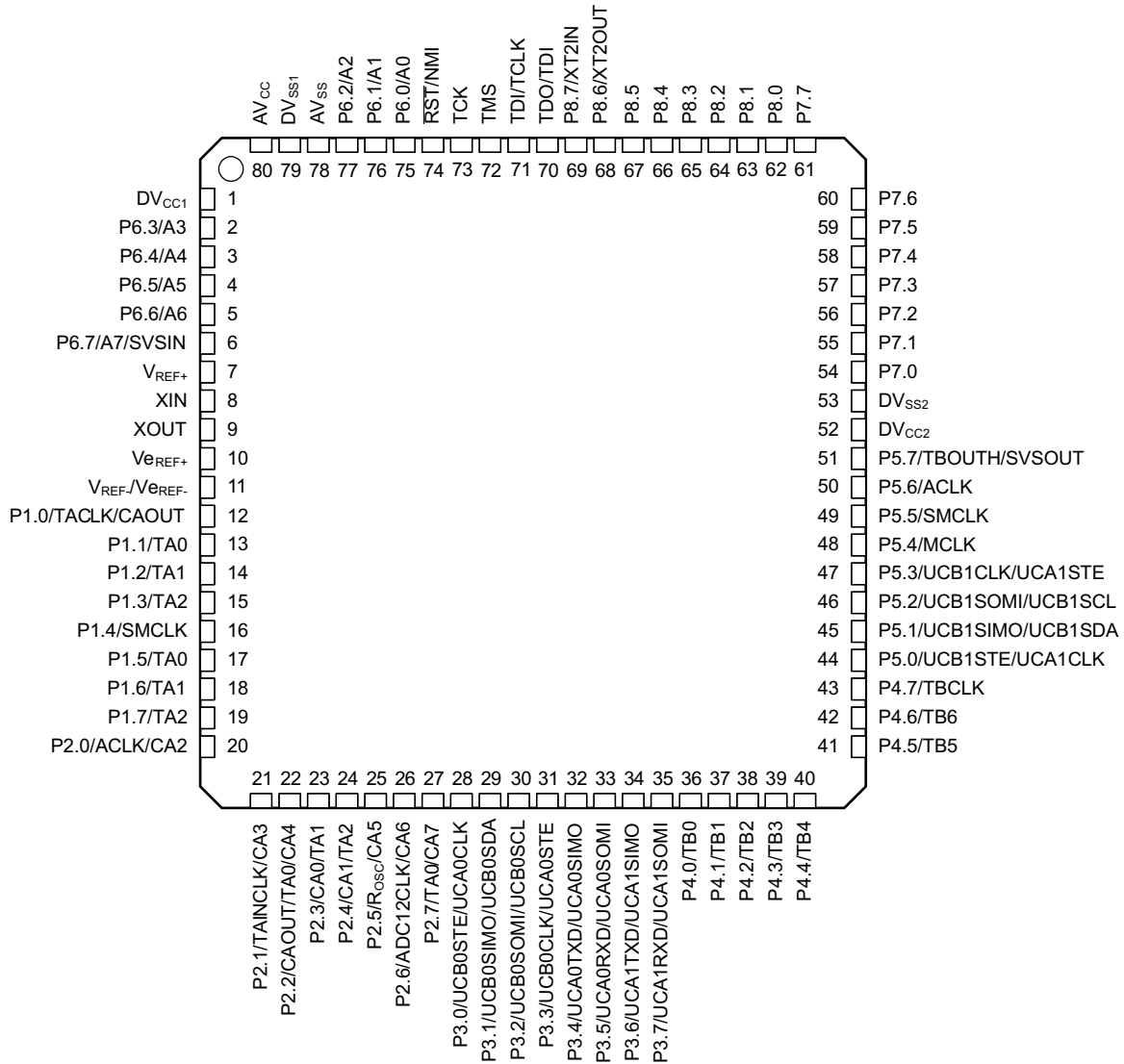
Find reference designs leveraging the best in TI technology to solve your system-level challenges



## 7 Terminal Configuration and Functions

### 7.1 Pin Diagrams

Figure 7-1 shows the pinout of the 80-pin PN package for the MSP430F241x devices.



**Figure 7-1. 80-Pin PN Package, MSP430F241x (Top View)**

Figure 7-2 shows the pinout of the 64-pin PM package for the MSP430F241x devices.

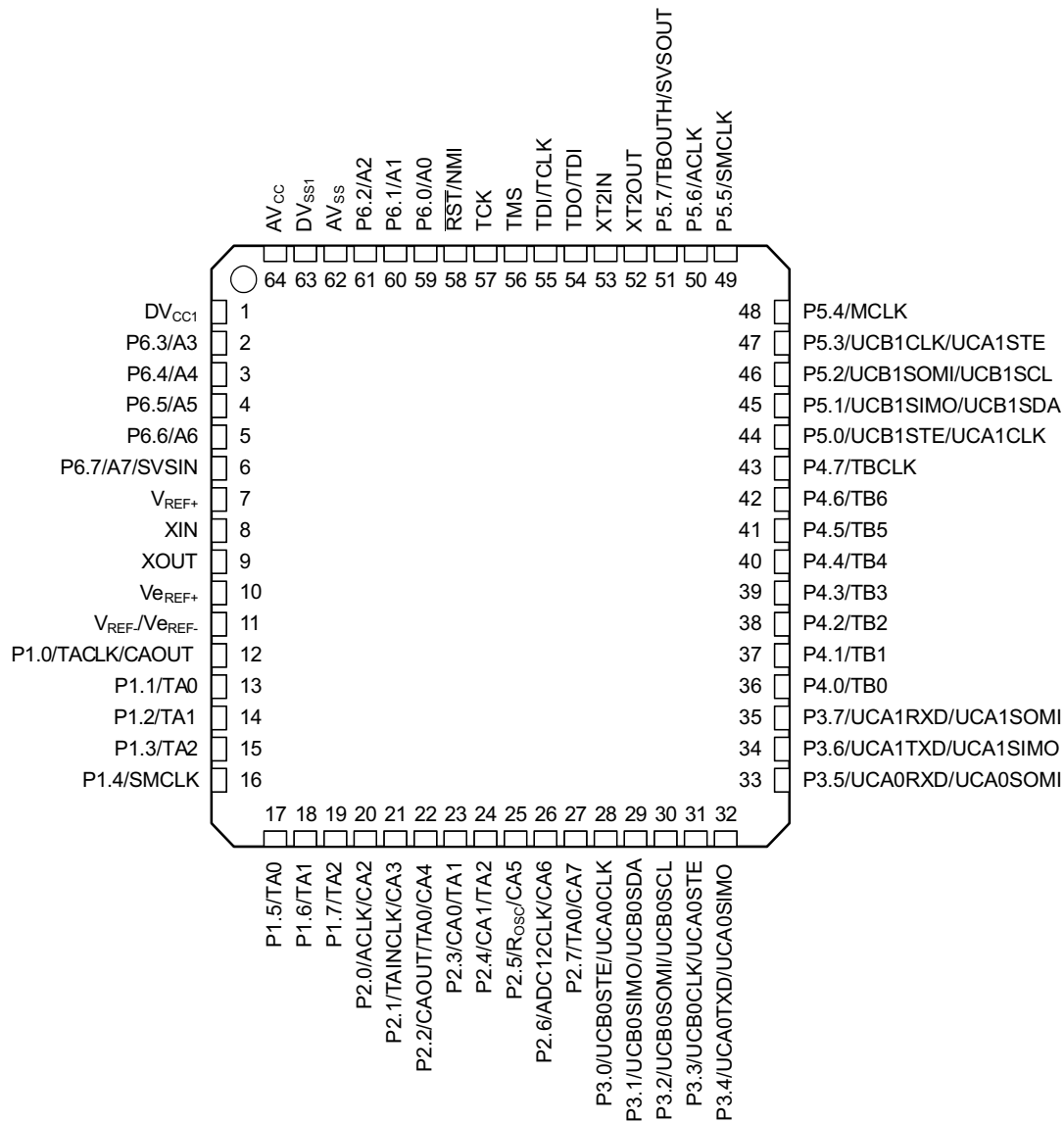
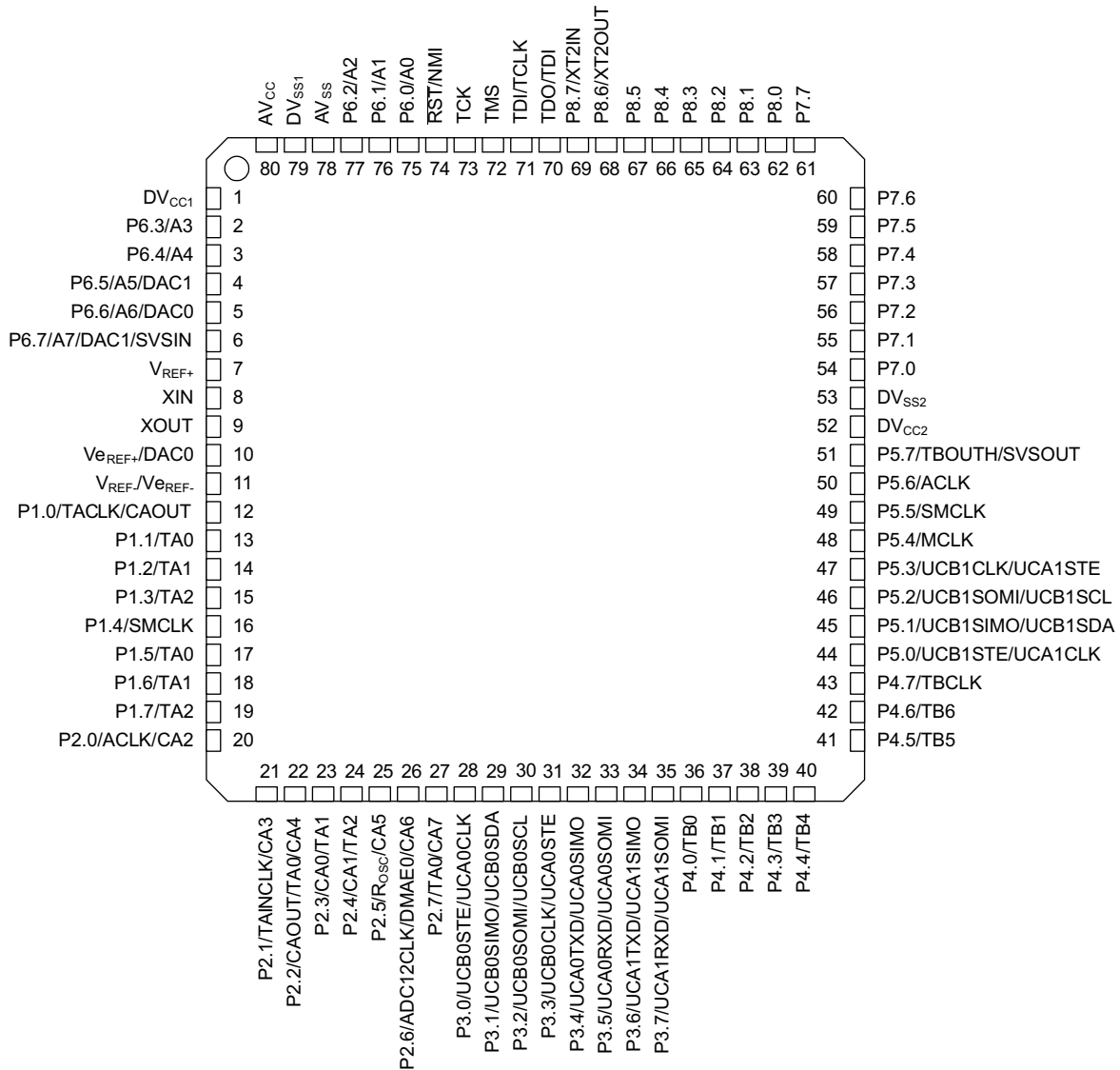


Figure 7-2. 64-Pin PM Package, MSP430F241x (Top View)

Figure 7-3 shows the pinout of the 80-pin PN package for the MSP430F261x devices.



**Figure 7-3. 80-Pin PN Package, MSP430F261x (Top View)**

Figure 7-4 shows the pinout of the 64-pin PM package for the MSP430F261x devices.

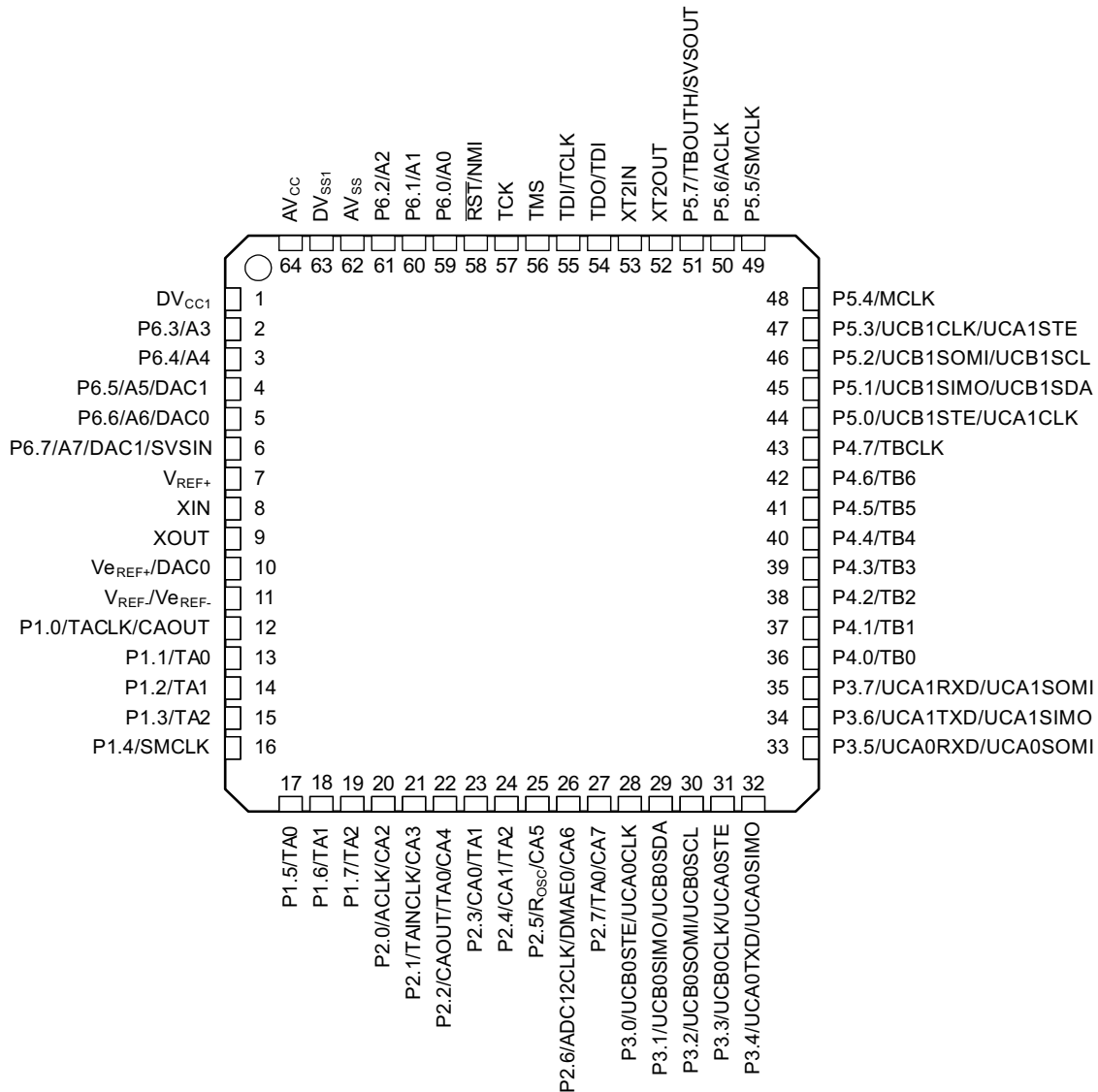
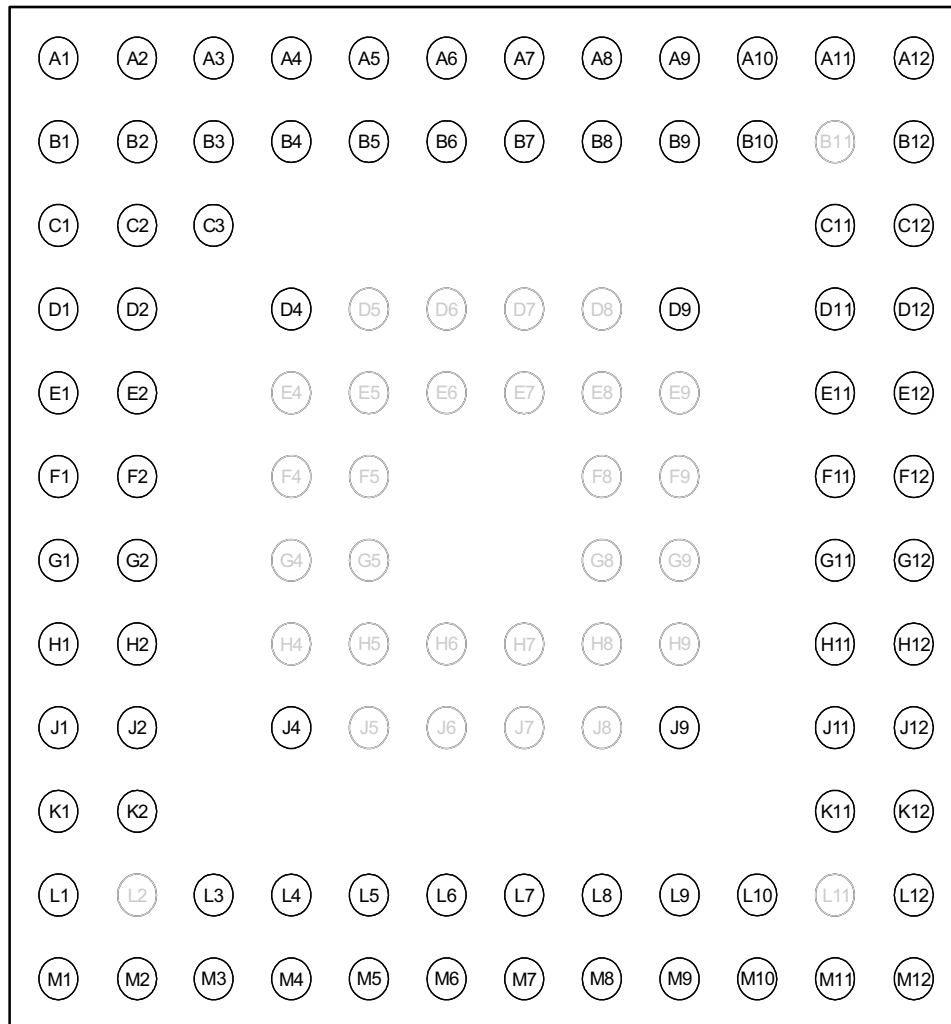


Figure 7-4. 64-Pin PM Package, MSP430F261x (Top View)

Figure 7-5 shows the pinout of the 113-pin ZCA and ZQW packages. For the terminal assignments, see Section 7.2.



**Figure 7-5. 113-Pin ZCA and ZQW Packages (Top View)**

## 7.2 Signal Descriptions

Section 7.2 describes the signals for all device variants and package options.

**Table 7-1. Signal Descriptions**

| NAME               | TERMINAL     |              |                          | I/O | DESCRIPTION  |
|--------------------|--------------|--------------|--------------------------|-----|--|
|                    | NO.          |              |                          |     |  |
|                    | PM<br>64-PIN | PN<br>80-PIN | ZCA or<br>ZQW<br>113-PIN |     |  |
| AV <sub>CC</sub>   | 64           | 80           | A2                       |     | Analog supply voltage, positive terminal. Supplies only the analog portion of ADC12 and DAC12.                               |
| AV <sub>SS</sub>   | 62           | 78           | B2, B3                   |     | Analog supply voltage, negative terminal. Supplies only the analog portion of ADC12 and DAC12.                               |
| DV <sub>CC1</sub>  | 1            | 1            | A1                       |     | Digital supply voltage, positive terminal. Supplies all digital parts.   |
| DV <sub>SS1</sub>  | 63           | 79           | A3                       |     | Digital supply voltage, negative terminal. Supplies all digital parts.   |
| DV <sub>CC2</sub>  |              | 52           | F12                      |     | Digital supply voltage, positive terminal. Supplies all digital parts.   |
| DV <sub>SS2</sub>  |              | 53           | E12                      |     | Digital supply voltage, negative terminal. Supplies all digital parts.   |
| P1.0/TACLK/CAOUT   | 12           | 12           | G2                       | I/O | General-purpose digital I/O pin<br>Timer_A, clock signal TACLK input<br>Comparator_A output                                  |
| P1.1/TA0           | 13           | 13           | H1                       | I/O | General-purpose digital I/O pin<br>Timer_A, capture: CCI0A input, compare: Out0 output<br>BSL transmit                       |
| P1.2/TA1           | 14           | 14           | H2                       | I/O | General-purpose digital I/O pin<br>Timer_A, capture: CCI1A input, compare: Out1 output                                       |
| P1.3/TA2           | 15           | 15           | J1                       | I/O | General-purpose digital I/O pin<br>Timer_A, capture: CCI2A input, compare: Out2 output                                       |
| P1.4/SMCLK         | 16           | 16           | J2                       | I/O | General-purpose digital I/O pin<br>SMCLK signal output   |
| P1.5/TA0           | 17           | 17           | K1                       | I/O | General-purpose digital I/O pin<br>Timer_A, compare: Out0 output   |
| P1.6/TA1           | 18           | 18           | K2                       | I/O | General-purpose digital I/O pin<br>Timer_A, compare: Out1 output   |
| P1.7/TA2           | 19           | 19           | L1                       | I/O | General-purpose digital I/O pin<br>Timer_A, compare: Out2 output   |
| P2.0/ACLK/CA2      | 20           | 20           | M1                       | I/O | General-purpose digital I/O pin<br>ACLK output<br>Comparator_A input   |
| P2.1/TAINCLK/CA3   | 21           | 21           | M2                       | I/O | General-purpose digital I/O pin<br>Timer_A, clock signal at INCLK  |
| P2.2/CAOUT/TA0/CA4 | 22           | 22           | M3                       | I/O | General-purpose digital I/O pin<br>Timer_A, capture: CCI0B input<br>Comparator_A output<br>BSL receive<br>Comparator_A input |
| P2.3/CA0/TA1       | 23           | 23           | L3                       | I/O | General-purpose digital I/O pin<br>Timer_A, compare: Out1 output<br>Comparator_A input                                       |

**Table 7-1. Signal Descriptions (continued)**

| TERMINAL                                    |              |              |                          | I/O | DESCRIPTION  |
|---|--------------|--------------|--------------------------|-----|--|
| NAME  | NO.          |              |                          |     |  |
|   | PM<br>64-PIN | PN<br>80-PIN | ZCA or<br>ZQW<br>113-PIN |     |  |
| P2.4/CA1/TA2                                | 24           | 24           | L4                       | I/O | General-purpose digital I/O pin<br>Timer_A, compare: Out2 output<br>Comparator_A input   |
| P2.5/R <sub>osc</sub> /CA5                  | 25           | 25           | M4                       | I/O | General-purpose digital I/O pin<br>Input for external resistor defining the DCO nominal frequency<br>Comparator_A input                    |
| P2.6/ADC12CLK/<br>DMAE0 <sup>(1)</sup> /CA6 | 26           | 26           | J4                       | I/O | General-purpose digital I/O pin<br>Conversion clock for 12-bit ADC<br>DMA channel 0 external trigger<br>Comparator_A input                 |
| P2.7/TA0/CA7                                | 27           | 27           | L5                       | I/O | General-purpose digital I/O pin<br>Timer_A, compare: Out0 output<br>Comparator_A input   |
| P3.0/UCB0STE/<br>UCA0CLK                    | 28           | 28           | M5                       | I/O | General-purpose digital I/O pin<br>USCI_B0 slave transmit enable<br>USCI_A0 clock input/output   |
| P3.1/UCB0SIMO/<br>UCB0SDA                   | 29           | 29           | L6                       | I/O | General-purpose digital I/O pin<br>USCI_B0 slave in master out for SPI mode<br>USCI_B0 SDA I <sup>2</sup> C data in I <sup>2</sup> C mode  |
| P3.2/UCB0SOMI/<br>UCB0SCL                   | 30           | 30           | M6                       | I/O | General-purpose digital I/O pin<br>USCI_B0 slave out master in for SPI mode<br>USCI_B0 SCL I <sup>2</sup> C clock in I <sup>2</sup> C mode |
| P3.3/UCB0CLK/<br>UCA0STE                    | 31           | 31           | L7                       | I/O | General-purpose digital I/O<br>USCI_B0 clock input/output<br>USCI_A0 slave transmit enable   |
| P3.4/UCA0TXD/<br>UCA0SIMO                   | 32           | 32           | M7                       | I/O | General-purpose digital I/O pin<br>USCI_A transmit data output in UART mode<br>USCI_A slave data in/master out for SPI mode                |
| P3.5/UCA0RXD/<br>UCA0SOMI                   | 33           | 33           | L8                       | I/O | General-purpose digital I/O pin<br>USCI_A0 receive data input in UART mode<br>USCI_A0 slave data out/master in for SPI mode                |
| P3.6/UCA1TXD/<br>UCA1SIMO                   | 34           | 34           | M8                       | I/O | General-purpose digital I/O pin<br>USCI_A1 transmit data output in UART mode<br>USCI_A1 slave data in/master out for SPI mode              |
| P3.7/UCA1RXD/<br>UCA1SOMI                   | 35           | 35           | L9                       | I/O | General-purpose digital I/O pin<br>USCI_A1 receive data input in UART mode<br>USCI_A1 slave data out/master in for SPI mode                |
| P4.0/TB0                                    | 36           | 36           | M9                       | I/O | General-purpose digital I/O pin<br>Timer_B, capture: CCI0A/B input, compare: Out0 output   |
| P4.1/TB1                                    | 37           | 37           | J9                       | I/O | General-purpose digital I/O pin<br>Timer_B, capture: CCI1A/B input, compare: Out1 output   |
| P4.2/TB2                                    | 38           | 38           | M10                      | I/O | General-purpose digital I/O pin<br>Timer_B, capture: CCI2A/B input, compare: Out2 output   |



**Table 7-1. Signal Descriptions (continued)**

| NAME                      | TERMINAL     |              |                          | I/O | DESCRIPTION  |
|---------------------------|--------------|--------------|--------------------------|-----|--|
|                           | NO.          |              |                          |     |  |
|                           | PM<br>64-PIN | PN<br>80-PIN | ZCA or<br>ZQW<br>113-PIN |     |  |
| P4.3/TB3                  | 39           | 39           | L10                      | I/O | General-purpose digital I/O pin<br>Timer_B, capture: CCI3A/B input, compare: Out3 output   |
| P4.4/TB4                  | 40           | 40           | M11                      | I/O | General-purpose digital I/O pin<br>Timer_B, capture: CCI4A/B input, compare: Out4 output   |
| P4.5/TB5                  | 41           | 41           | M12                      | I/O | General-purpose digital I/O pin<br>Timer_B, capture: CCI5A/B input, compare: Out5 output   |
| P4.6/TB6                  | 42           | 42           | L12                      | I/O | General-purpose digital I/O pin<br>Timer_B, capture: CCI6A input, compare: Out6 output   |
| P4.7/TBCLK                | 43           | 43           | K11                      | I/O | General-purpose digital I/O pin<br>Timer_B, clock signal TBCLK input   |
| P5.0/UCB1STE/<br>UCA1CLK  | 44           | 44           | K12                      | I/O | General-purpose digital I/O pin<br>USCI_B1 slave transmit enable<br>USCI_A1 clock input/output   |
| P5.1/UCB1SIMO/<br>UCB1SDA | 45           | 45           | J11                      | I/O | General-purpose digital I/O pin<br>USCI_B1 slave in master out for SPI mode<br>USCI_B1 SDA I <sup>2</sup> C data in I <sup>2</sup> C mode  |
| P5.2/UCB1SOMI/<br>UCB1SCL | 46           | 46           | J12                      | I/O | General-purpose digital I/O pin<br>USCI_B1 slave out master in for SPI mode<br>USCI_B1 SCL I <sup>2</sup> C clock in I <sup>2</sup> C mode |
| P5.3/UCB1CLK/<br>UCA1STE  | 47           | 47           | H11                      | I/O | General-purpose digital I/O<br>USCI_B1 clock input/output<br>USCI_A1 slave transmit enable   |
| P5.4/MCLK                 | 48           | 48           | H12                      | I/O | General-purpose digital I/O pin<br>Main system clock MCLK output   |
| P5.5/SMCLK                | 49           | 49           | G11                      | I/O | General-purpose digital I/O pin<br>Submain system clock SMCLK output   |
| P5.6/ACLK                 | 50           | 50           | G12                      | I/O | General-purpose digital I/O pin<br>Auxiliary clock ACLK output   |
| P5.7/TBOUTH/SVSOUT        | 51           | 51           | F11                      | I/O | General-purpose digital I/O pin<br>Switch all PWM digital output ports to high impedance – Timer_B TB0 to TB6<br>SVS comparator output     |
| P6.0/A0                   | 59           | 75           | D4                       | I/O | General-purpose digital I/O pin<br>Analog input A0 for 12-bit ADC  |
| P6.1/A1                   | 60           | 76           | A4                       | I/O | General-purpose digital I/O pin<br>Analog input A1 for 12-bit ADC  |
| P6.2/A2                   | 61           | 77           | B4                       | I/O | General-purpose digital I/O pin<br>Analog input A2 for 12-bit ADC  |
| P6.3/A3                   | 2            | 2            | B1                       | I/O | General-purpose digital I/O pin<br>Analog input A3 for 12-bit ADC  |
| P6.4/A4                   | 3            | 3            | C1                       | I/O | General-purpose digital I/O pin<br>Analog input A4 for 12-bit ADC  |

**Table 7-1. Signal Descriptions (continued)**

| TERMINAL                                |              |              |                          | I/O | DESCRIPTION  |
|---|--------------|--------------|--------------------------|-----|--|
| NAME                                    | NO.          |              |                          |     |  |
|   | PM<br>64-PIN | PN<br>80-PIN | ZCA or<br>ZQW<br>113-PIN |     |  |
| P6.5/A5/DAC1 <sup>(1)</sup>             | 4            | 4            | C2,<br>C3                | I/O | General-purpose digital I/O pin<br>Analog input A5 for 12-bit ADC<br>DAC12.1 output                                |
| P6.6/A6/DAC0 <sup>(1)</sup>             | 5            | 5            | D1                       | I/O | General-purpose digital I/O pin<br>Analog input A6 for 12-bit ADC<br>DAC12.0 output                                |
| P6.7/A7/DAC1 <sup>(1)</sup> /SVSIN      | 6            | 6            | D2                       | I/O | General-purpose digital I/O pin<br>Analog input A7 for 12-bit ADC<br>DAC12.1 output<br>SVS input                   |
| P7.0                                    |              | 54           | E11                      | I/O | General-purpose digital I/O pin  |
| P7.1                                    |              | 55           | D12                      | I/O | General-purpose digital I/O pin  |
| P7.2                                    |              | 56           | D11                      | I/O | General-purpose digital I/O pin  |
| P7.3                                    |              | 57           | C12                      | I/O | General-purpose digital I/O pin  |
| P7.4                                    |              | 58           | C11                      | I/O | General-purpose digital I/O pin  |
| P7.5                                    |              | 59           | B12                      | I/O | General-purpose digital I/O pin  |
| P7.6                                    |              | 60           | A12                      | I/O | General-purpose digital I/O pin  |
| P7.7                                    |              | 61           | A11                      | I/O | General-purpose digital I/O pin  |
| P8.0                                    |              | 62           | B10                      | I/O | General-purpose digital I/O pin  |
| P8.1                                    |              | 63           | A10                      | I/O | General-purpose digital I/O pin  |
| P8.2                                    |              | 64           | D9                       | I/O | General-purpose digital I/O pin  |
| P8.3                                    |              | 65           | A9                       | I/O | General-purpose digital I/O pin  |
| P8.4                                    |              | 66           | B9                       | I/O | General-purpose digital I/O pin  |
| P8.5                                    |              | 67           | B8                       | I/O | General-purpose digital I/O pin  |
| P8.6/XT2OUT                             |              | 68           | A8                       | I/O | General-purpose digital I/O pin<br>Output terminal of crystal oscillator XT2                                       |
| P8.7/XT2IN                              |              | 69           | A7                       | I/O | General-purpose digital I/O pin<br>Input port for crystal oscillator XT2. Only standard crystals can be connected. |
| XT2OUT                                  | 52           |              |                          | O   | Output terminal of crystal oscillator XT2  |
| XT2IN                                   | 53           |              |                          | I   | Input port for crystal oscillator XT2  |
| RST/NMI                                 | 58           | 74           | B5                       | I   | Reset input, nonmaskable interrupt input port, or bootloader start (in flash devices)                              |
| TCK                                     | 57           | 73           | A5                       | I   | Test clock (JTAG). TCK is the clock input port for device programming test and bootloader start                    |
| TDI/TCLK                                | 55           | 71           | A6                       | I   | Test data input or test clock input. The device protection fuse is connected to TDI/TCLK.                          |
| TDO/TDI                                 | 54           | 70           | B7                       | I/O | Test data output port. TDO/TDI data output or programming data input terminal.                                     |
| TMS                                     | 56           | 72           | B6                       | I   | Test mode select. TMS is used as an input port for device programming and test.                                    |
| V <sub>eREF+</sub> /DAC0 <sup>(1)</sup> | 10           | 10           | F2                       | I   | Input for an external reference voltage<br>DAC12.0 output  |
| V <sub>REF+</sub>                       | 7            | 7            | E2                       | O   | Output of positive terminal of the reference voltage in the ADC12  |

**Table 7-1. Signal Descriptions (continued)**

| TERMINAL             |              |              |                          | I/O | DESCRIPTION   |
|----------------------|--------------|--------------|--------------------------|-----|---|
| NAME                 | NO.          |              |                          |     |   |
|                      | PM<br>64-PIN | PN<br>80-PIN | ZCA or<br>ZQW<br>113-PIN |     |   |
| $V_{REF-}/V_{eREF-}$ | 11           | 11           | G1                       | I   | Negative terminal for the reference voltage for both sources, the internal reference voltage or an external applied reference voltage |
| XIN                  | 8            | 8            | E1                       | I   | Input port for crystal oscillator XT1. Standard or watch crystals can be connected.   |
| XOUT                 | 9            | 9            | F1                       | O   | Output port for crystal oscillator XT1. Standard or watch crystals can be connected.  |
| Reserved             | –            | –            | (2)                      | NA  | Reserved pins. TI recommends connecting to $DV_{SS}$ and $AV_{SS}$ .  |

- (1) MSP430F261x devices only  
(2) Reserved pins are L2, E4, F4, G4, H4, D5, E5, F5, G5, H5, J5, D6, E6, H6, J6, D7, E7, H7, J7, D8, E8, F8, G8, H8, J8, E9, F9, G9, H9, B11, L11.

## 8 Specifications

### 8.1 Absolute Maximum Ratings

over operating free-air temperature range (unless otherwise noted)<sup>(1)</sup>

|   |                     | MIN  | MAX                   | UNIT |
|---|---------------------|------|-----------------------|------|
| Voltage applied at V <sub>CC</sub> to V <sub>SS</sub> |                     | -0.3 | 4.1                   | V    |
| Voltage applied to any pin <sup>(2)</sup>             |                     | -0.3 | V <sub>CC</sub> + 0.3 | V    |
| Diode current at any device terminal                  |                     | -2   | 2                     | mA   |
| Storage temperature, T <sub>stg</sub> <sup>(3)</sup>  | Unprogrammed device | -55  | 150                   | °C   |
|   | Programmed device   | -55  | 150                   |      |

- (1) Stresses beyond those listed under *Absolute Maximum Ratings* may cause permanent damage to the device. These are stress ratings only, and functional operation of the device at these or any other conditions beyond those indicated under *Recommended Operating Conditions* is not implied. Exposure to absolute-maximum-rated conditions for extended periods may affect device reliability.
- (2) All voltages referenced to V<sub>SS</sub>. The JTAG fuse-blow voltage, V<sub>FB</sub>, is allowed to exceed the absolute maximum rating. The voltage is applied to the TEST pin when blowing the JTAG fuse.
- (3) Higher temperature may be applied during board soldering according to the current JEDEC J-STD-020 specification with peak reflow temperatures not higher than classified on the device label on the shipping boxes or reels.

### 8.2 ESD Ratings

|  |  | VALUE | UNIT |
|--|--|-------|------|
| V <sub>(ESD)</sub> Electrostatic discharge | Human-body model (HBM), per ANSI/ESDA/JEDEC JS-001 <sup>(1)</sup>              | ±1000 | V    |
|  | Charged-device model (CDM), per JEDEC specification JESD22-C101 <sup>(2)</sup> | ±250  |      |

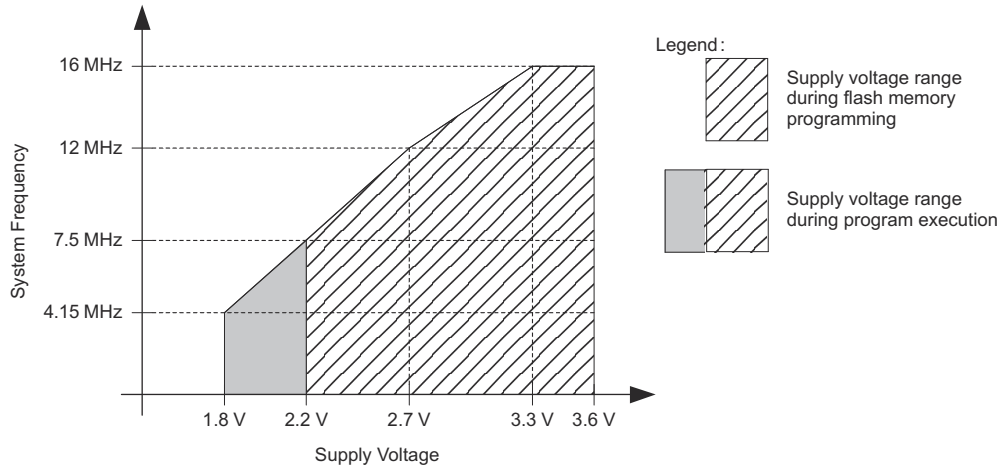
- (1) JEDEC document JEP155 states that 500-V HBM allows safe manufacturing with a standard ESD control process. Pins listed as ±1000 V may actually have higher performance.
- (2) JEDEC document JEP157 states that 250-V CDM allows safe manufacturing with a standard ESD control process. Pins listed as ±250 V may actually have higher performance.

### 8.3 Recommended Operating Conditions

Typical values are specified at V<sub>CC</sub> = 3.3 V and T<sub>A</sub> = 25°C (unless otherwise noted)

|                     |   | MIN   | MAX | UNIT |     |    |
|---------------------|---|---|-----|------|-----|----|
| V <sub>CC</sub>     | Supply voltage (AV <sub>CC</sub> = DV <sub>CC</sub> = V <sub>CC</sub> <sup>(1)</sup> )            | During program execution                          | 1.8 | 3.6  | V   |    |
|                     |   | During flash program or erase                     | 2.2 | 3.6  |     |    |
| V <sub>SS</sub>     | Supply voltage (AV <sub>SS</sub> = DV <sub>SS</sub> = V <sub>SS</sub> )                           | 0   | 0   | V    |     |    |
| T <sub>A</sub>      | Operating free-air temperature  | T version   |     | -40  | 105 | °C |
| f <sub>SYSTEM</sub> | Processor frequency (maximum MCLK frequency) <sup>(2) (3)</sup> (see <a href="#">Figure 8-1</a> ) | V <sub>CC</sub> = 1.8 V,<br>Duty cycle = 50% ±10% | DC  | 4.15 | MHz |    |
|                     |   | V <sub>CC</sub> = 2.7 V,<br>Duty cycle = 50% ±10% | DC  | 12   |     |    |
|                     |   | V <sub>CC</sub> ≥ 3.3 V,<br>Duty cycle = 50% ±10% | DC  | 16   |     |    |

- (1) TI recommends powering AV<sub>CC</sub> and DV<sub>CC</sub> from the same source. A maximum difference of 0.3 V between AV<sub>CC</sub> and DV<sub>CC</sub> can be tolerated during power up.
- (2) The MSP430 CPU is clocked directly with MCLK. Both the high and low phases of MCLK must not exceed the pulse duration of the specified maximum frequency.
- (3) Modules might have a different maximum input clock specification. See the specification of the respective module in this data sheet.



A. Minimum processor frequency is defined by system clock. Flash program or erase operations require a minimum  $V_{CC}$  of 2.2 V.

**Figure 8-1. Operating Area**

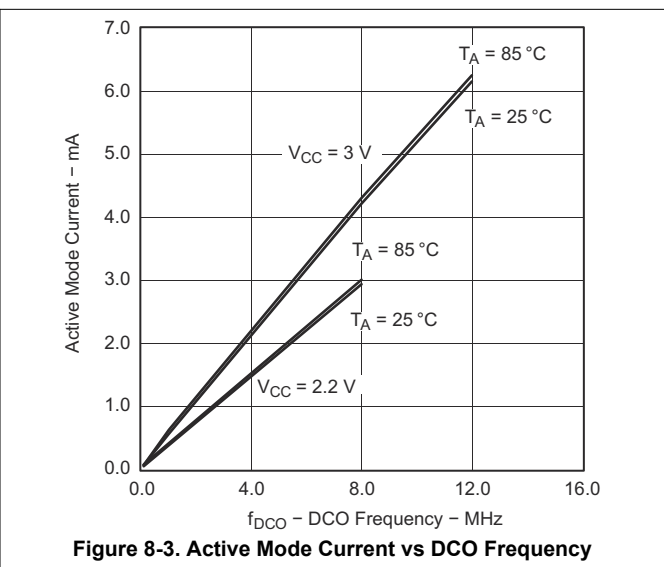
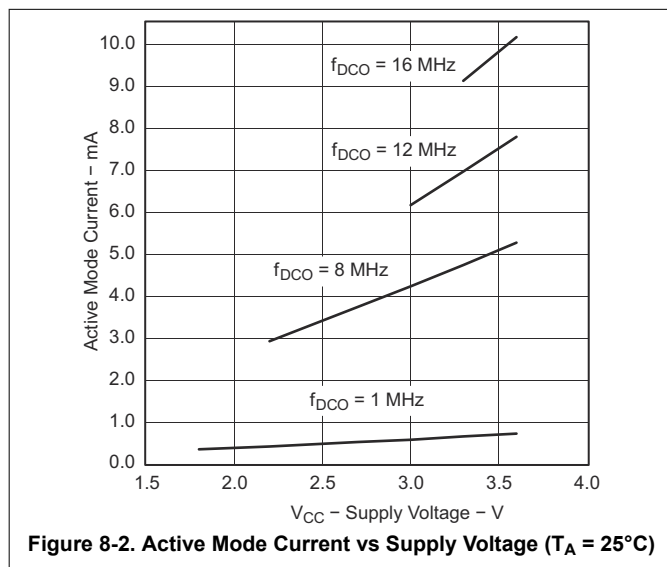
### 8.4 Active Mode Supply Current Into V<sub>CC</sub> Excluding External Current

over recommended ranges of supply voltage and operating free-air temperature (unless otherwise noted)<sup>(1) (2)</sup> (see Figure 8-2 and Figure 8-3)

| PARAMETER   | TEST CONDITIONS   | T <sub>A</sub> | V <sub>CC</sub> | MIN | TYP | MAX | UNIT |
|---|---|----------------|-----------------|-----|-----|-----|------|
| I <sub>AM,1MHz</sub> Active mode (AM) current (1 MHz)     | f <sub>DCO</sub> = f <sub>MCLK</sub> = f <sub>SMCLK</sub> = 1 MHz, f <sub>ACLK</sub> = 32768 Hz, Program executes in flash, BCSTL1 = CALBC1_1MHZ, DCOCTL = CALDCO_1MHZ, CPUOFF = 0, SCG0 = 0, SCG1 = 0, OSCOFF = 0                  | -40°C to 85°C  | 2.2 V           | 365 | 395 | μA  |      |
|   |   | 105°C          |                 | 375 | 420 |     |      |
|   |   | -40°C to 85°C  | 3 V             | 515 | 560 |     |      |
|   |   | 105°C          |                 | 525 | 595 |     |      |
| I <sub>AM,1MHz</sub> Active mode (AM) current (1 MHz)     | f <sub>DCO</sub> = f <sub>MCLK</sub> = f <sub>SMCLK</sub> = 1 MHz, f <sub>ACLK</sub> = 32768 Hz, Program executes in RAM, BCSTL1 = CALBC1_1MHZ, DCOCTL = CALDCO_1MHZ, CPUOFF = 0, SCG0 = 0, SCG1 = 0, OSCOFF = 0                    | -40°C to 85°C  | 2.2 V           | 330 | 370 | μA  |      |
|   |   | 105°C          |                 | 340 | 390 |     |      |
|   |   | -40°C to 85°C  | 3 V             | 460 | 495 |     |      |
|   |   | 105°C          |                 | 470 | 520 |     |      |
| I <sub>AM,4kHz</sub> Active mode (AM) current (4 kHz)     | f <sub>MCLK</sub> = f <sub>SMCLK</sub> = f <sub>ACLK</sub> = 32768 Hz/8 = 4096 Hz, f <sub>DCO</sub> = 0 Hz, Program executes in flash, SELMx = 11, SELS = 1, DIVMx = DIVSx = DIVAx = 11, CPUOFF = 0, SCG0 = 1, SCG1 = 0, OSCOFF = 0 | -40°C to 85°C  | 2.2 V           | 2.1 | 9   | μA  |      |
|   |   | 105°C          | 2.2 V           | 15  | 31  |     |      |
|   |   | -40°C to 85°C  | 3 V             | 3   | 11  |     |      |
|   |   | 105°C          | 3 V             | 19  | 32  |     |      |
| I <sub>AM,100kHz</sub> Active mode (AM) current (100 kHz) | f <sub>MCLK</sub> = f <sub>SMCLK</sub> = f <sub>DCO(0, 0)</sub> ≈ 100 kHz, f <sub>ACLK</sub> = 0 Hz, Program executes in flash, RSELx = 0, DCOx = 0, CPUOFF = 0, SCG0 = 0, SCG1 = 0, OSCOFF = 1                                     | -40°C to 85°C  | 2.2 V           | 67  | 86  | μA  |      |
|   |   | 105°C          | 2.2 V           | 80  | 99  |     |      |
|   |   | -40°C to 85°C  | 3 V             | 84  | 107 |     |      |
|   |   | 105°C          | 3 V             | 99  | 128 |     |      |

- (1) All inputs are tied to 0 V or to V<sub>CC</sub>. Outputs do not source or sink any current.
- (2) The currents are characterized with a Micro Crystal CC4V-T1A SMD crystal with a load capacitance of 9 pF. The internal and external load capacitance is chosen to closely match the required 9 pF.

### 8.5 Typical Characteristics – Active Mode Supply Current (Into V<sub>CC</sub>)



## 8.6 Low-Power Mode Supply Currents (Into $V_{CC}$ ) Excluding External Current

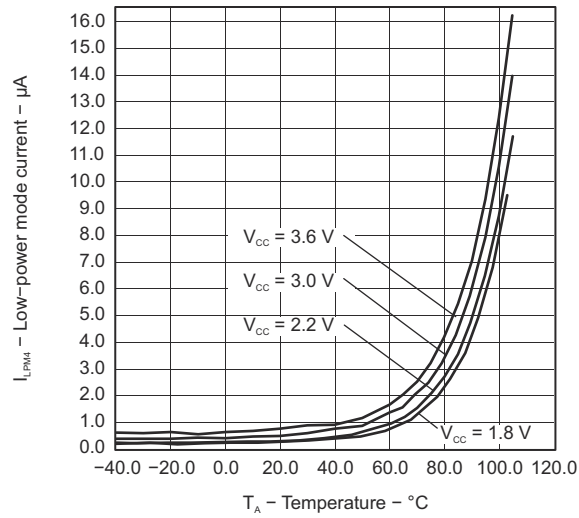
over recommended ranges of supply voltage and operating free-air temperature (unless otherwise noted)<sup>(1) (2)</sup>

| PARAMETER  | TEST CONDITIONS  | $T_A$         | $V_{CC}$ | MIN  | TYP  | MAX     | UNIT |
|--|--|---------------|----------|------|------|---------|------|
| $I_{LPM0,1MHz}$ Low-power mode 0 (LPM0) current <sup>(3)</sup>             | $f_{MCLK} = 0$ MHz,<br>$f_{SMCLK} = f_{DCO} = 1$ MHz,<br>$f_{ACLK} = 32,768$ Hz,<br>BCSCTL1 = CALBC1_1MHZ,<br>DCOCTL = CALDCO_1MHZ,<br>CPUOFF = 1, SCG0 = 0,<br>SCG1 = 0, OSCOFF = 0 | -40°C to 85°C | 2.2 V    | 68   | 63   | $\mu$ A |      |
|  |  | 105°C         |          | 83   | 98   |         |      |
|  |  | -40°C to 85°C | 3 V      | 87   | 105  |         |      |
|  |  | 105°C         |          | 100  | 125  |         |      |
| $I_{LPM0,100kHz}$ Low-power mode 0 (LPM0) current <sup>(3)</sup>           | $f_{MCLK} = 0$ MHz,<br>$f_{SMCLK} = f_{DCO(0,0)} \approx 100$ kHz,<br>$f_{ACLK} = 0$ Hz,<br>RSELX = 0, DCOx = 0,<br>CPUOFF = 1, SCG0 = 0,<br>SCG1 = 0, OSCOFF = 1                    | -40°C to 85°C | 2.2 V    | 37   | 49   | $\mu$ A |      |
|  |  | 105°C         |          | 50   | 62   |         |      |
|  |  | -40°C to 85°C | 3 V      | 40   | 55   |         |      |
|  |  | 105°C         |          | 57   | 73   |         |      |
| $I_{LPM2}$ Low-power mode 2 (LPM2) current <sup>(4)</sup>                  | $f_{MCLK} = f_{SMCLK} = 0$ MHz, $f_{DCO} = 1$ MHz,<br>$f_{ACLK} = 32,768$ Hz,<br>BCSCTL1 = CALBC1_1MHZ,<br>DCOCTL = CALDCO_1MHZ,<br>CPUOFF = 1, SCG0 = 0,<br>SCG1 = 1, OSCOFF = 0    | -40°C to 85°C | 2.2 V    | 23   | 33   | $\mu$ A |      |
|  |  | 105°C         |          | 35   | 46   |         |      |
|  |  | -40°C to 85°C | 3 V      | 25   | 36   |         |      |
|  |  | 105°C         |          | 40   | 55   |         |      |
| $I_{LPM3,LFXT1}$ Low-power mode 3 (LPM3) current <sup>(3)</sup>            | $f_{DCO} = f_{MCLK} = f_{SMCLK} = 0$ MHz,<br>$f_{ACLK} = 32,768$ Hz,<br>CPUOFF = 1, SCG0 = 1,<br>SCG1 = 1, OSCOFF = 0  | -40°C         | 2.2 V    | 0.8  | 1.2  | $\mu$ A |      |
|  |  | 25°C          |          | 1    | 1.3  |         |      |
|  |  | 85°C          |          | 4.6  | 7    |         |      |
|  |  | 105°C         |          | 14   | 24   |         |      |
|  |  | -40°C         | 3 V      | 0.9  | 1.3  |         |      |
|  |  | 25°C          |          | 1.1  | 1.5  |         |      |
|  |  | 85°C          |          | 5.5  | 8    |         |      |
|  |  | 105°C         |          | 17   | 30   |         |      |
| $I_{LPM3,VLO}$ Low-power mode 3 (LPM3) current <sup>(4)</sup>              | $f_{DCO} = f_{MCLK} = f_{SMCLK} = 0$ MHz,<br>$f_{ACLK}$ from internal LF oscillator (VLO),<br>CPUOFF = 1, SCG0 = 1,<br>SCG1 = 1, OSCOFF = 0  | -40°C         | 2.2 V    | 0.4  | 1    | $\mu$ A |      |
|  |  | 25°C          |          | 0.5  | 1    |         |      |
|  |  | 85°C          |          | 4.3  | 6.5  |         |      |
|  |  | 105°C         |          | 14   | 24   |         |      |
|  |  | -40°C         | 3 V      | 0.6  | 1.2  |         |      |
|  |  | 25°C          |          | 0.6  | 1.2  |         |      |
|  |  | 85°C          |          | 5    | 7.5  |         |      |
|  |  | 105°C         |          | 16.5 | 29.5 |         |      |
| $I_{LPM4}$ Low-power mode 4 (LPM4) current <sup>(5)</sup> (see Figure 8-4) | $f_{DCO} = f_{MCLK} = f_{SMCLK} = 0$ MHz,<br>$f_{ACLK} = 0$ Hz,<br>CPUOFF = 1, SCG0 = 1,<br>SCG1 = 1, OSCOFF = 1   | -40°C         | 2.2 V    | 0.1  | 0.5  | $\mu$ A |      |
|  |  | 25°C          |          | 0.1  | 0.5  |         |      |
|  |  | 85°C          |          | 4    | 6    |         |      |
|  |  | 105°C         |          | 13   | 23   |         |      |
|  |  | -40°C         | 3 V      | 0.2  | 0.5  |         |      |
|  |  | 25°C          |          | 0.2  | 0.5  |         |      |
|  |  | 85°C          |          | 4.7  | 7    |         |      |
|  |  | 105°C         |          | 14   | 24   |         |      |

- (1) All inputs are tied to 0 V or to  $V_{CC}$ . Outputs do not source or sink any current.
- (2) The currents are characterized with a Micro Crystal CC4V-T1A SMD crystal with a load capacitance of 9 pF.
- (3) Current for brownout and WDT clocked by SMCLK included.
- (4) Current for brownout and WDT clocked by ACLK included.
- (5) Current for brownout included.



## 8.7 Typical Characteristics – LPM4 Current



**Figure 8-4. LPM4 Current vs Temperature**

## 8.8 Schmitt-Trigger Inputs (Ports P1 to P8, $\overline{\text{RST}}/\text{NMI}$ , JTAG, XIN, and XT2IN)

over recommended ranges of supply voltage and operating free-air temperature (unless otherwise noted)<sup>(1)</sup>

| PARAMETER  | TEST CONDITIONS  | V <sub>CC</sub> | MIN                  | TYP | MAX                  | UNIT |
|--|--|-----------------|----------------------|-----|----------------------|------|
| V <sub>IT+</sub> Positive-going input threshold voltage                          |  |                 | 0.45 V <sub>CC</sub> |     | 0.75 V <sub>CC</sub> | V    |
|  |  | 2.2 V           | 1.00                 |     | 1.65                 |      |
|  |  | 3 V             | 1.35                 |     | 2.25                 |      |
| V <sub>IT-</sub> Negative-going input threshold voltage                          |  |                 | 0.25 V <sub>CC</sub> |     | 0.55 V <sub>CC</sub> | V    |
|  |  | 2.2 V           | 0.55                 |     | 1.20                 |      |
|  |  | 3 V             | 0.75                 |     | 1.65                 |      |
| V <sub>hys</sub> Input voltage hysteresis (V <sub>IT+</sub> – V <sub>IT-</sub> ) |  | 2.2 V           | 0.2                  |     | 1                    | V    |
|  |  | 3 V             | 0.3                  |     | 1                    |      |
| R <sub>Pull</sub> Pullup/pulldown resistor                                       | For pullup: V <sub>IN</sub> = V <sub>SS</sub> .<br>For pulldown: V <sub>IN</sub> = V <sub>CC</sub> |                 | 20                   | 35  | 50                   | kΩ   |
| C <sub>I</sub> Input capacitance   | V <sub>IN</sub> = V <sub>SS</sub> or V <sub>CC</sub>   |                 |                      | 5   |                      | pF   |

(1) XIN and XT2IN in bypass mode only

## 8.9 Inputs (Ports P1 and P2)

over recommended ranges of supply voltage and operating free-air temperature (unless otherwise noted)

| PARAMETER                                    | TEST CONDITIONS   | V <sub>CC</sub> | MIN | MAX | UNIT |
|--|---|-----------------|-----|-----|------|
| t <sub>(int)</sub> External interrupt timing | Port P1, P2: P1.x to P2.x, External trigger pulse duration to set interrupt flag <sup>(1)</sup> | 2.2 V, 3 V      | 20  |     | ns   |

(1) An external signal sets the interrupt flag every time the minimum interrupt pulse duration t<sub>(int)</sub> is met. It may be set even with trigger signals shorter than t<sub>(int)</sub>.

## 8.10 Leakage Current (Ports P1 to P8)

over recommended ranges of supply voltage and operating free-air temperature (unless otherwise noted)

| PARAMETER  | V <sub>CC</sub> | MIN | MAX | UNIT |
|--|-----------------|-----|-----|------|
| I <sub>Ikg(Px.y)</sub> High-impedance leakage current <sup>(1) (2)</sup> | 2.2 V, 3 V      |     | ±50 | nA   |

(1) The leakage current is measured with V<sub>SS</sub> or V<sub>CC</sub> applied to the corresponding pins, unless otherwise noted.

(2) The leakage of the digital port pins is measured individually. The port pin is selected for input and the pullup or pulldown resistor is disabled.

## 8.11 Standard Inputs ( $\overline{\text{RST}}/\text{NMI}$ )

over recommended ranges of supply voltage and operating free-air temperature (unless otherwise noted)

| PARAMETER                                | V <sub>CC</sub> | MIN                 | MAX                   | UNIT |
|--|-----------------|---------------------|-----------------------|------|
| V <sub>IL</sub> Low-level input voltage  | 2.2 V, 3 V      | V <sub>SS</sub>     | V <sub>SS</sub> + 0.6 | V    |
| V <sub>IH</sub> High-level input voltage | 2.2 V, 3 V      | 0.8 V <sub>CC</sub> | V <sub>CC</sub>       | V    |

## 8.12 Outputs (Ports P1 to P8)

over recommended ranges of supply voltage and operating free-air temperature (unless otherwise noted)  
(also see [Figure 8-5](#), [Figure 8-6](#), [Figure 8-7](#), and [Figure 8-8](#))

| PARAMETER       |                           | TEST CONDITIONS                               | V <sub>CC</sub> | MIN                    | TYP | MAX                    | UNIT |
|-----------------|---------------------------|---|-----------------|------------------------|-----|------------------------|------|
| V <sub>OH</sub> | High-level output voltage | I <sub>(OHmax)</sub> = -1.5 mA <sup>(1)</sup> | 2.2 V           | V <sub>CC</sub> - 0.25 |     | V <sub>CC</sub>        | V    |
|                 |                           | I <sub>(OHmax)</sub> = -6 mA <sup>(2)</sup>   | 2.2 V           | V <sub>CC</sub> - 0.6  |     | V <sub>CC</sub>        |      |
|                 |                           | I <sub>(OHmax)</sub> = -1.5 mA <sup>(1)</sup> | 3 V             | V <sub>CC</sub> - 0.25 |     | V <sub>CC</sub>        |      |
|                 |                           | I <sub>(OHmax)</sub> = -6 mA <sup>(2)</sup>   | 3 V             | V <sub>CC</sub> - 0.6  |     | V <sub>CC</sub>        |      |
| V <sub>OL</sub> | Low-level output voltage  | I <sub>(OLmax)</sub> = 1.5 mA <sup>(1)</sup>  | 2.2 V           | V <sub>SS</sub>        |     | V <sub>SS</sub> + 0.25 | V    |
|                 |                           | I <sub>(OLmax)</sub> = 6 mA <sup>(2)</sup>    | 2.2 V           | V <sub>SS</sub>        |     | V <sub>SS</sub> + 0.6  |      |
|                 |                           | I <sub>(OLmax)</sub> = 1.5 mA <sup>(1)</sup>  | 3 V             | V <sub>SS</sub>        |     | V <sub>SS</sub> + 0.25 |      |
|                 |                           | I <sub>(OLmax)</sub> = 6 mA <sup>(2)</sup>    | 3 V             | V <sub>SS</sub>        |     | V <sub>SS</sub> + 0.6  |      |

- (1) The maximum total current, I<sub>(OHmax)</sub> and I<sub>(OLmax)</sub>, for all outputs combined should not exceed ±12 mA to hold the maximum voltage drop specified.
- (2) The maximum total current, I<sub>(OHmax)</sub> and I<sub>(OLmax)</sub>, for all outputs combined should not exceed ±48 mA to hold the maximum voltage drop specified.

## 8.13 Output Frequency (Ports P1 to P8)

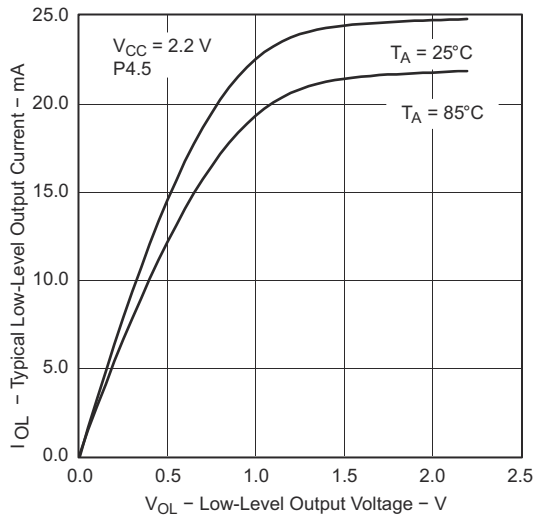
over recommended ranges of supply voltage and operating free-air temperature (unless otherwise noted)

| PARAMETER             |                                   | TEST CONDITIONS  | V <sub>CC</sub> | MIN            | TYP | MAX            | UNIT |
|-----------------------|-----------------------------------|--|-----------------|----------------|-----|----------------|------|
| f <sub>Px.y</sub>     | Port output frequency (with load) | P1.4/SMCLK, C <sub>L</sub> = 20 pF, R <sub>L</sub> = 1 kΩ <sup>(1) (2)</sup> | 2.2 V           | DC             |     | 10             | MHz  |
|                       |                                   |  | 3 V             | DC             |     | 12             |      |
| f <sub>Port*CLK</sub> | Clock output frequency            | P2.0/ACLK/CA2, P1.4/SMCLK, C <sub>L</sub> = 20 pF <sup>(2)</sup>             | 2.2 V           | DC             |     | 12             | MHz  |
|                       |                                   |  | 3 V             | DC             |     | 16             |      |
| t <sub>(Xdc)</sub>    | Duty cycle of output frequency    | P5.6/ACLK, C <sub>L</sub> = 20 pF, LF mode                                   |                 | 30%            | 50% | 70%            |      |
|                       |                                   | P5.6/ACLK, C <sub>L</sub> = 20 pF, XT1 mode                                  |                 | 40%            | 50% | 60%            |      |
|                       |                                   | P5.4/MCLK, C <sub>L</sub> = 20 pF, XT1 mode                                  |                 | 40%            |     | 60%            |      |
|                       |                                   | P5.4/MCLK, C <sub>L</sub> = 20 pF, DCO                                       |                 | 50% –<br>15 ns |     | 50% +<br>15 ns |      |
|                       |                                   | P1.4/SMCLK, C <sub>L</sub> = 20 pF, XT2 mode                                 |                 | 40%            |     | 60%            |      |
|                       |                                   | P1.4/SMCLK, C <sub>L</sub> = 20 pF, DCO                                      |                 | 50% –<br>15 ns |     | 50% +<br>15 ns |      |

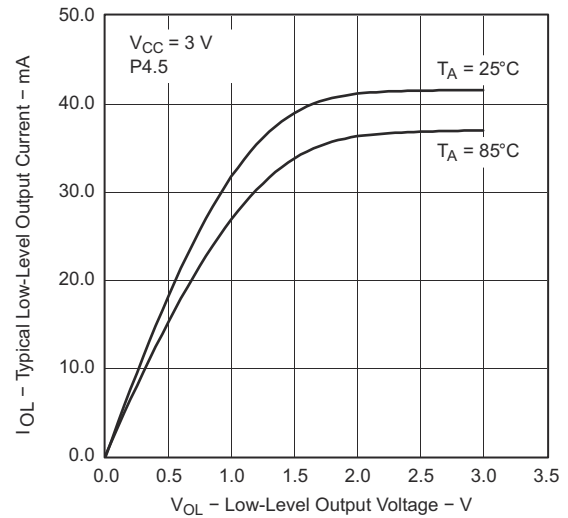
- (1) A resistive divider with two 0.5-kΩ resistors between V<sub>CC</sub> and V<sub>SS</sub> is used as load. The output is connected to the center tap of the divider.
- (2) The output voltage reaches at least 10% and 90% V<sub>CC</sub> at the specified toggle frequency.

## 8.14 Typical Characteristics – Outputs

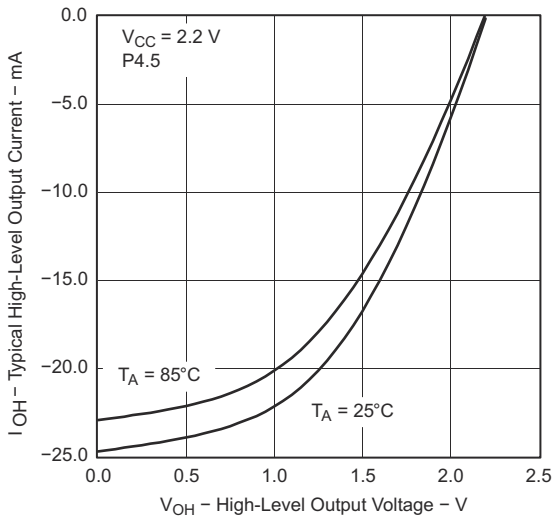
over recommended ranges of supply voltage and operating free-air temperature (unless otherwise noted)



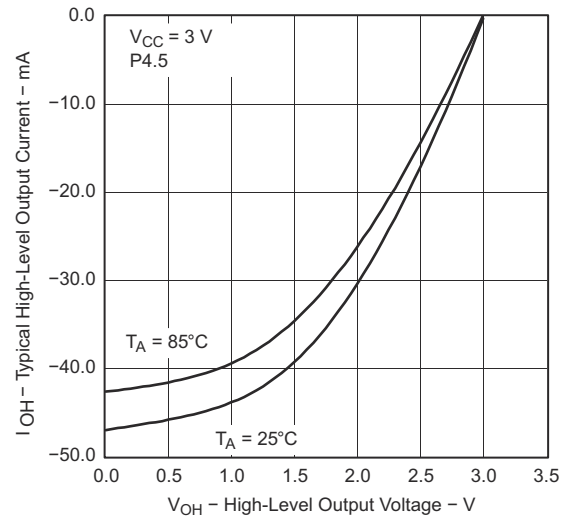
**Figure 8-5. Low-Level Output Current vs Low-Level Output Voltage**



**Figure 8-6. Low-Level Output Current vs Low-Level Output Voltage**



**Figure 8-7. High-Level Output Current vs High-Level Output Voltage**



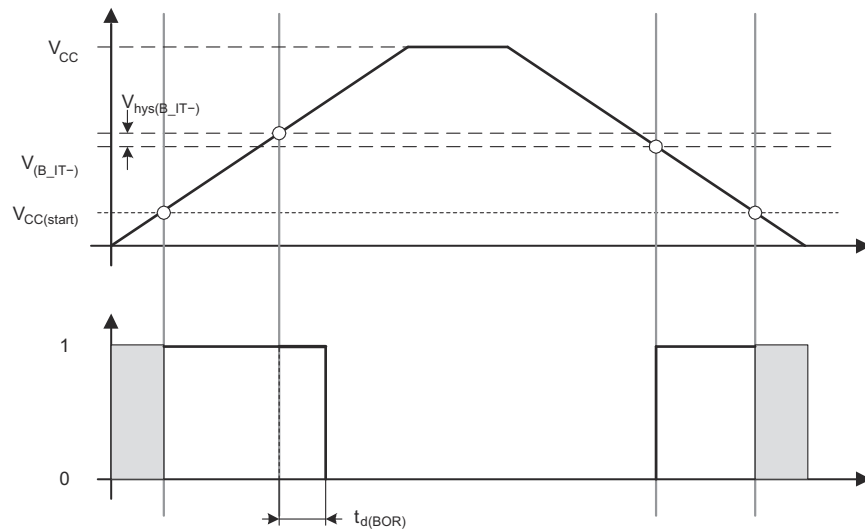
**Figure 8-8. High-Level Output Current vs High-Level Output Voltage**

## 8.15 POR and Brownout Reset (BOR)

over recommended ranges of supply voltage and operating free-air temperature (unless otherwise noted)<sup>(1)</sup>

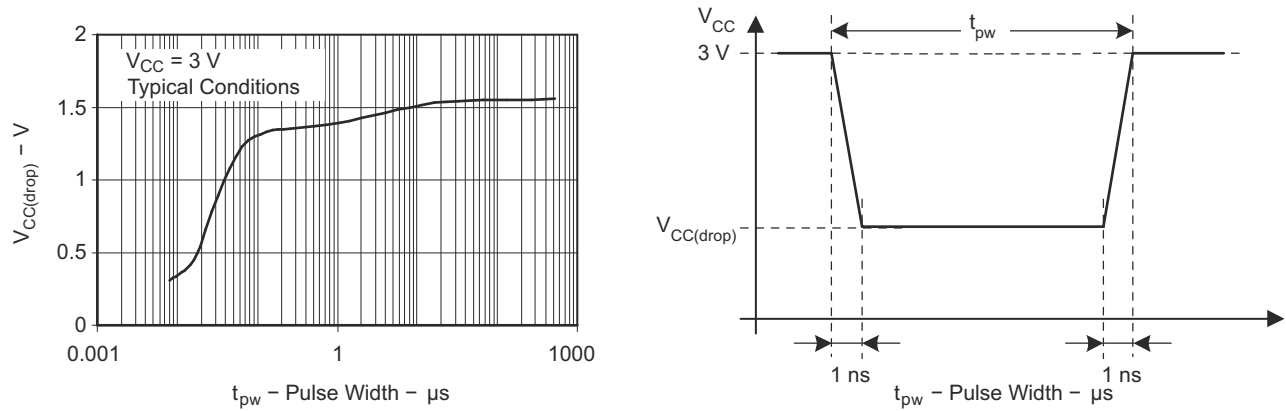
| PARAMETER               | TEST CONDITIONS   | V <sub>CC</sub> | MIN | TYP                        | MAX  | UNIT |
|-------------------------|---|-----------------|-----|----------------------------|------|------|
| V <sub>CC(start)</sub>  | See Figure 8-9  |                 |     | 0.7 × V <sub>(B_IT-)</sub> |      | V    |
| V <sub>(B_IT-)</sub>    | See Figure 8-9, Figure 8-10, and Figure 8-11                    |                 |     |                            | 1.71 | V    |
| V <sub>hys(B_IT-)</sub> | See Figure 8-9  |                 | 70  | 130                        | 210  | mV   |
| t <sub>d(BOR)</sub>     | See Figure 8-9  |                 |     |                            | 2000 | μs   |
| t <sub>(reset)</sub>    | Pulse duration needed at RST/NMI pin to accept reset internally | 2.2 V, 3 V      | 2   |                            |      | μs   |

(1) The current consumption of the brownout module is already included in the I<sub>CC</sub> current consumption data. The voltage level V<sub>(B\_IT-)</sub> + V<sub>hys(B\_IT-)</sub> is ≤ 1.8 V.

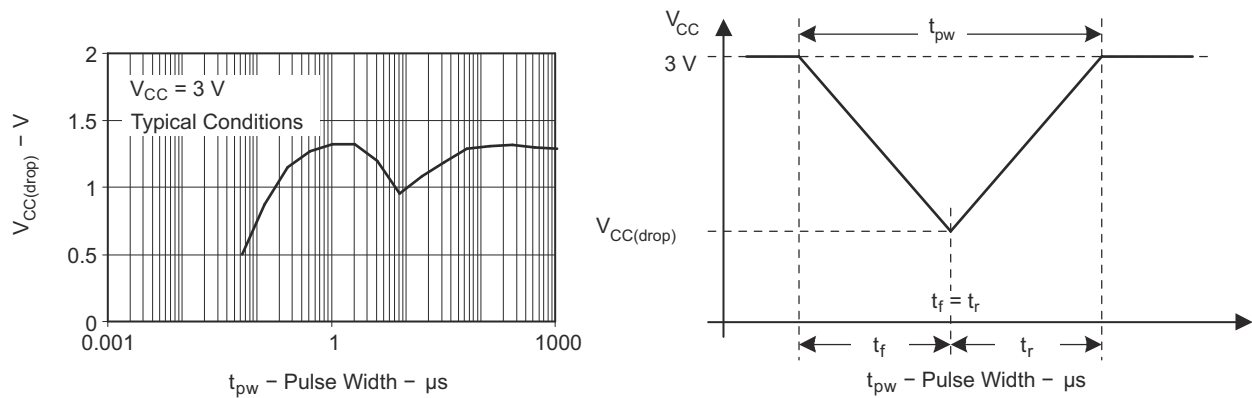


**Figure 8-9. POR and BOR vs Supply Voltage**

## 8.16 Typical Characteristics – POR and BOR



**Figure 8-10.  $V_{CC(drop)}$  Level With a Rectangular Voltage Drop to Generate a POR or BOR Signal**



**Figure 8-11.  $V_{CC(drop)}$  Level With a Triangular Voltage Drop to Generate a POR or BOR Signal**

## 8.17 Supply Voltage Supervisor (SVS), Supply Voltage Monitor (SVM)

over recommended operating free-air temperature range (unless otherwise noted)

| PARAMETER                           | TEST CONDITIONS  | MIN           | TYP                                   | MAX                | UNIT                                  |    |
|-------------------------------------|--|---------------|---------------------------------------|--------------------|---------------------------------------|----|
| $t_{(SVSR)}$                        | $dV_{CC}/dt > 30 \text{ V/ms}$ (see Figure 8-12)   | 5             |                                       | 150                | $\mu\text{s}$                         |    |
|                                     | $dV_{CC}/dt \leq 30 \text{ V/ms}$  |               |                                       | 2000               |                                       |    |
| $t_{d(SV\text{Son})}$               | SVSon, switch from VLD = 0 to VLD $\neq$ 0, $V_{CC} = 3 \text{ V}$                               |               | 150                                   | 300                | $\mu\text{s}$                         |    |
| $t_{\text{settle}}$                 | VLD $\neq$ 0 <sup>(2)</sup>  |               |                                       | 12                 | $\mu\text{s}$                         |    |
| $V_{(SV\text{Sstart})}$             | VLD $\neq$ 0, $V_{CC}/dt \leq 3 \text{ V/s}$ (see Figure 8-12)                                   |               | 1.55                                  | 1.7                | V                                     |    |
| $V_{\text{hys}(SV\text{S}_{IT-})}$  | $V_{CC}/dt \leq 3 \text{ V/s}$ (see Figure 8-12)   | VLD = 1       | 70                                    | 120                | 155                                   | mV |
|                                     |  | VLD = 2 to 14 | $0.004 \times V_{(SV\text{S}_{IT-})}$ |                    | $0.016 \times V_{(SV\text{S}_{IT-})}$ | V  |
|                                     | $V_{CC}/dt \leq 3 \text{ V/s}$ (see Figure 8-12), external voltage applied on A7                 | VLD = 15      | 4.4                                   |                    | 20                                    | mV |
| $V_{(SV\text{S}_{IT-})}$            | $V_{CC}/dt \leq 3 \text{ V/s}$ (see Figure 8-12 and Figure 8-13)                                 | VLD = 1       | 1.8                                   | 1.9                | 2.05                                  | V  |
|                                     |  | VLD = 2       | 1.94                                  | 2.1                | 2.25                                  |    |
|                                     |  | VLD = 3       | 2.05                                  | 2.2                | 2.37                                  |    |
|                                     |  | VLD = 4       | 2.14                                  | 2.3                | 2.48                                  |    |
|                                     |  | VLD = 5       | 2.24                                  | 2.4                | 2.60                                  |    |
|                                     |  | VLD = 6       | 2.33                                  | 2.5                | 2.71                                  |    |
|                                     |  | VLD = 7       | 2.46                                  | 2.65               | 2.86                                  |    |
|                                     |  | VLD = 8       | 2.58                                  | 2.8                | 3                                     |    |
|                                     |  | VLD = 9       | 2.69                                  | 2.9                | 3.13                                  |    |
|                                     |  | VLD = 10      | 2.83                                  | 3.05               | 3.29                                  |    |
|                                     |  | VLD = 11      | 2.94                                  | 3.2                | 3.42                                  |    |
|                                     |  | VLD = 12      | 3.11                                  | 3.35               | 3.61 <sup>(1)</sup>                   |    |
|                                     |  | VLD = 13      | 3.24                                  | 3.5                | 3.76 <sup>(1)</sup>                   |    |
|                                     |  | VLD = 14      | 3.43                                  | 3.7 <sup>(1)</sup> | 3.99 <sup>(1)</sup>                   |    |
|                                     | $V_{CC}/dt \leq 3 \text{ V/s}$ (see Figure 8-12 and Figure 8-13), external voltage applied on A7 | VLD = 15      | 1.1                                   | 1.2                | 1.3                                   |    |
| $I_{CC(SV\text{S})}$ <sup>(3)</sup> | VLD $\neq$ 0, $V_{CC} = 2.2 \text{ V}, 3 \text{ V}$  |               | 10                                    | 15                 | $\mu\text{A}$                         |    |

(1) The recommended operating voltage range is limited to 3.6 V.

(2)  $t_{\text{settle}}$  is the settling time that the comparator output requires to have a stable level after VLD is switched from VLD  $\neq$  0 to a different VLD value somewhere between 2 and 15. The overdrive is assumed to be  $>50 \text{ mV}$ .

(3) The current consumption of the SVS module is not included in the  $I_{CC}$  current consumption data.



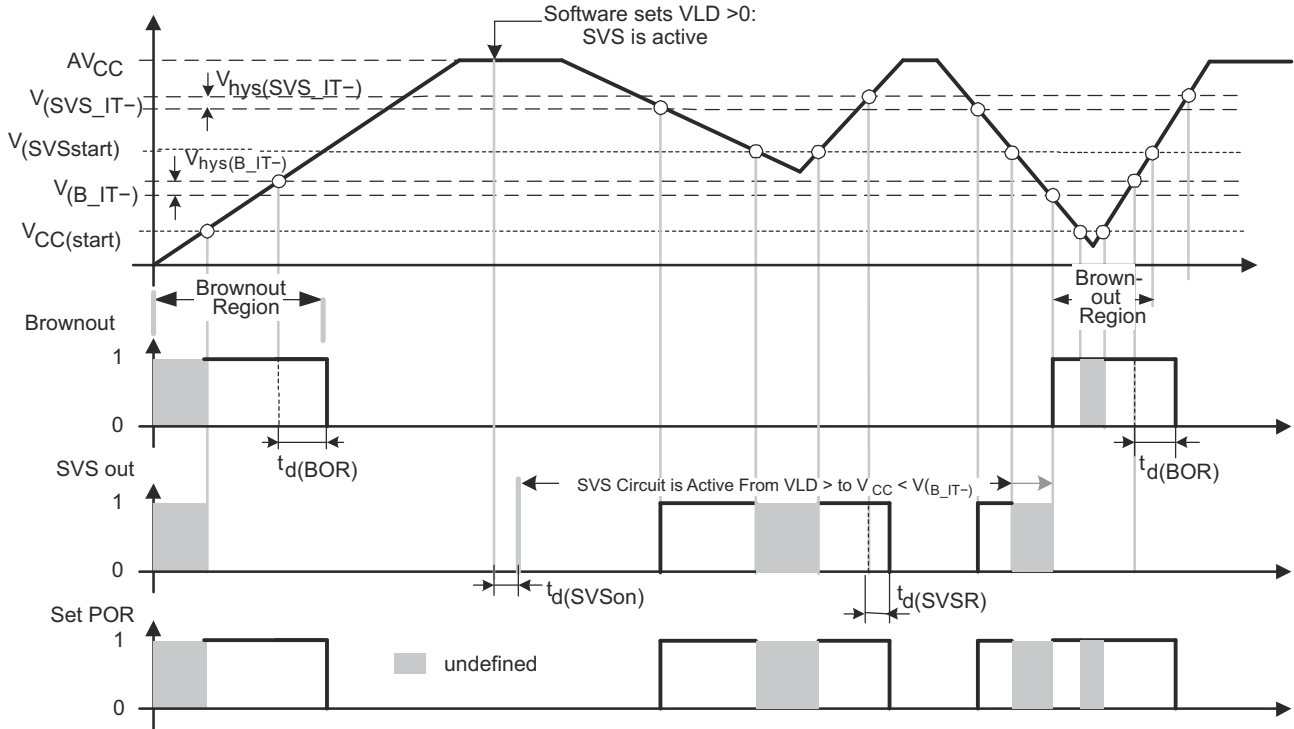


Figure 8-12. SVS Reset (SVSR) vs Supply Voltage

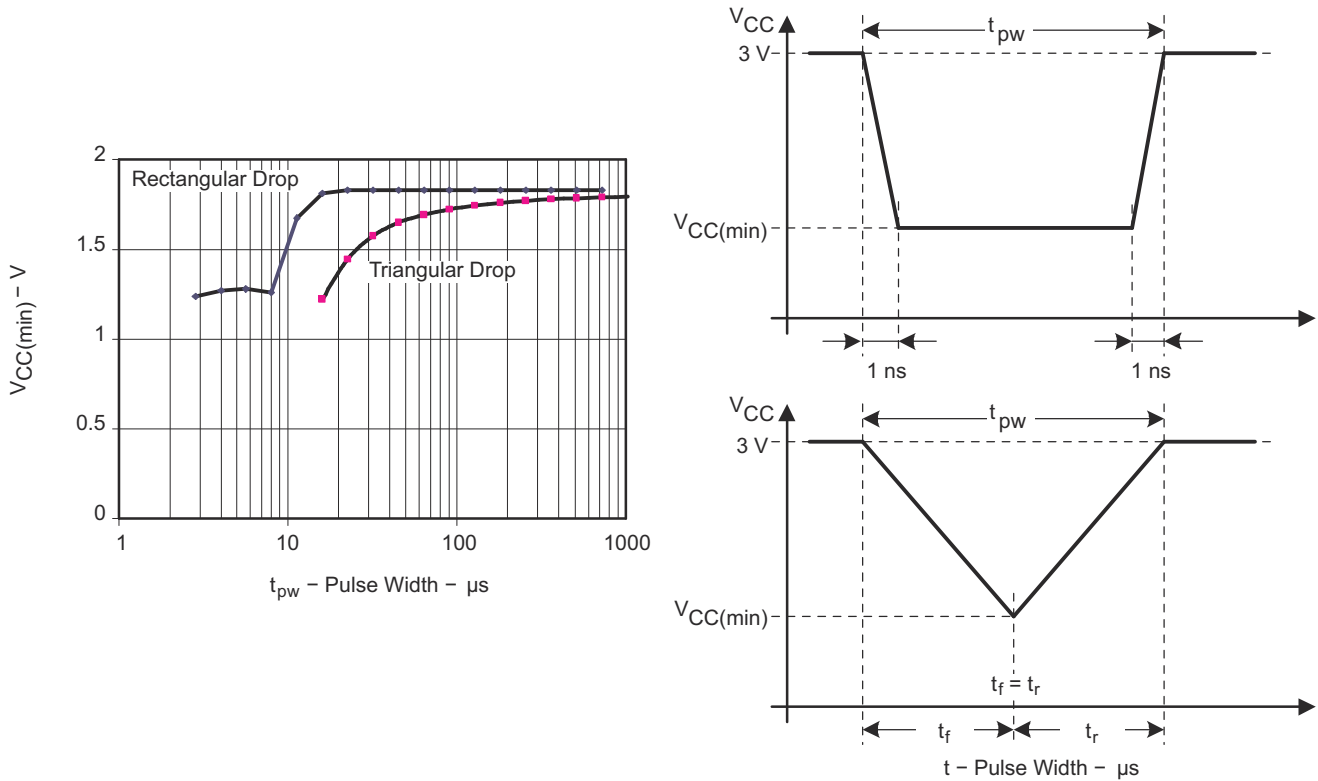


Figure 8-13.  $V_{CC(min)}$ : Rectangular Voltage Drop and Triangular Voltage Drop to Generate an SVS Signal (VLD = 1)

## 8.18 Main DCO Characteristics

- All ranges selected by RSELx overlap with RSELx + 1: RSELx = 0 overlaps RSELx = 1, ... RSELx = 14 overlaps RSELx = 15.
- DCO control bits DCOx have a step size as defined by parameter S<sub>DCO</sub>.
- Modulation control bits MODx select how often f<sub>DCO(RSEL,DCO+1)</sub> is used within the period of 32 DCOCLK cycles. The frequency f<sub>DCO(RSEL,DCO)</sub> is used for the remaining cycles. The frequency is an average equal to:

$$f_{\text{average}} = \frac{32 \times f_{\text{DCO(RSEL,DCO)}} \times f_{\text{DCO(RSEL,DCO+1)}}}{\text{MOD} \times f_{\text{DCO(RSEL,DCO)}} + (32 - \text{MOD}) \times f_{\text{DCO(RSEL,DCO+1)}}}$$

## 8.19 DCO Frequency

over recommended ranges of supply voltage and operating free-air temperature (unless otherwise noted)

| PARAMETER              |  | TEST CONDITIONS  | V <sub>CC</sub> | MIN  | TYP  | MAX  | UNIT  |
|------------------------|--|--|-----------------|------|------|------|-------|
| V <sub>CC</sub>        | Supply voltage                               | RSELx < 14   |                 | 1.8  |      | 3.6  | V     |
|                        |  | RSELx = 14   |                 | 2.2  |      | 3.6  |       |
|                        |  | RSELx = 15   |                 | 3.0  |      | 3.6  |       |
| f <sub>DCO(0,0)</sub>  | DCO frequency (0, 0)                         | RSELx = 0, DCOx = 0, MODx = 0  | 2.2 V, 3 V      | 0.06 |      | 0.14 | MHz   |
| f <sub>DCO(0,3)</sub>  | DCO frequency (0, 3)                         | RSELx = 0, DCOx = 3, MODx = 0  | 2.2 V, 3 V      | 0.07 |      | 0.17 | MHz   |
| f <sub>DCO(1,3)</sub>  | DCO frequency (1, 3)                         | RSELx = 1, DCOx = 3, MODx = 0  | 2.2 V, 3 V      | 0.10 |      | 0.20 | MHz   |
| f <sub>DCO(2,3)</sub>  | DCO frequency (2, 3)                         | RSELx = 2, DCOx = 3, MODx = 0  | 2.2 V, 3 V      | 0.14 |      | 0.28 | MHz   |
| f <sub>DCO(3,3)</sub>  | DCO frequency (3, 3)                         | RSELx = 3, DCOx = 3, MODx = 0  | 2.2 V, 3 V      | 0.20 |      | 0.40 | MHz   |
| f <sub>DCO(4,3)</sub>  | DCO frequency (4, 3)                         | RSELx = 4, DCOx = 3, MODx = 0  | 2.2 V, 3 V      | 0.28 |      | 0.54 | MHz   |
| f <sub>DCO(5,3)</sub>  | DCO frequency (5, 3)                         | RSELx = 5, DCOx = 3, MODx = 0  | 2.2 V, 3 V      | 0.39 |      | 0.77 | MHz   |
| f <sub>DCO(6,3)</sub>  | DCO frequency (6, 3)                         | RSELx = 6, DCOx = 3, MODx = 0  | 2.2 V, 3 V      | 0.54 |      | 1.06 | MHz   |
| f <sub>DCO(7,3)</sub>  | DCO frequency (7, 3)                         | RSELx = 7, DCOx = 3, MODx = 0  | 2.2 V, 3 V      | 0.80 |      | 1.50 | MHz   |
| f <sub>DCO(8,3)</sub>  | DCO frequency (8, 3)                         | RSELx = 8, DCOx = 3, MODx = 0  | 2.2 V, 3 V      | 1.10 |      | 2.10 | MHz   |
| f <sub>DCO(9,3)</sub>  | DCO frequency (9, 3)                         | RSELx = 9, DCOx = 3, MODx = 0  | 2.2 V, 3 V      | 1.60 |      | 3.00 | MHz   |
| f <sub>DCO(10,3)</sub> | DCO frequency (10, 3)                        | RSELx = 10, DCOx = 3, MODx = 0   | 2.2 V, 3 V      | 2.50 |      | 4.30 | MHz   |
| f <sub>DCO(11,3)</sub> | DCO frequency (11, 3)                        | RSELx = 11, DCOx = 3, MODx = 0   | 2.2 V, 3 V      | 3.00 |      | 5.50 | MHz   |
| f <sub>DCO(12,3)</sub> | DCO frequency (12, 3)                        | RSELx = 12, DCOx = 3, MODx = 0   | 2.2 V, 3 V      | 4.30 |      | 7.30 | MHz   |
| f <sub>DCO(13,3)</sub> | DCO frequency (13, 3)                        | RSELx = 13, DCOx = 3, MODx = 0   | 2.2 V, 3 V      | 6.00 |      | 9.60 | MHz   |
| f <sub>DCO(14,3)</sub> | DCO frequency (14, 3)                        | RSELx = 14, DCOx = 3, MODx = 0   | 2.2 V, 3 V      | 8.60 |      | 13.9 | MHz   |
| f <sub>DCO(15,3)</sub> | DCO frequency (15, 3)                        | RSELx = 15, DCOx = 3, MODx = 0   | 3 V             | 12.0 |      | 18.5 | MHz   |
| f <sub>DCO(15,7)</sub> | DCO frequency (15, 7)                        | RSELx = 15, DCOx = 7, MODx = 0   | 3 V             | 16.0 |      | 26.0 | MHz   |
| S <sub>RSEL</sub>      | Frequency step between range RSEL and RSEL+1 | S <sub>RSEL</sub> = f <sub>DCO(RSEL+1,DCO)</sub> /f <sub>DCO(RSEL,DCO)</sub> | 2.2 V, 3 V      |      |      | 1.55 | ratio |
| S <sub>DCO</sub>       | Frequency step between tap DCO and DCO+1     | S <sub>DCO</sub> = f <sub>DCO(RSEL,DCO+1)</sub> /f <sub>DCO(RSEL,DCO)</sub>  | 2.2 V, 3 V      | 1.05 | 1.08 | 1.12 | ratio |
|                        | Duty cycle                                   | Measured at P1.4/SMCLK   | 2.2 V, 3 V      | 40%  | 50%  | 60%  |       |

## 8.20 Calibrated DCO Frequencies – Tolerance at Calibration

over recommended ranges of supply voltage and operating free-air temperature (unless otherwise noted)

| PARAMETER                          |                          | TEST CONDITIONS  | T <sub>A</sub> | V <sub>CC</sub> | MIN   | TYP   | MAX   | UNIT |
|------------------------------------|--------------------------|--|----------------|-----------------|-------|-------|-------|------|
| Frequency tolerance at calibration |                          |  | 25°C           | 3 V             | -1%   | ±0.2% | +1%   |      |
| f <sub>CAL(1MHz)</sub>             | 1-MHz calibration value  | BCSCTL1 = CALBC1_1MHZ,<br>DCOCTL = CALDCO_1MHZ,<br>Gating time: 5 ms   | 25°C           | 3 V             | 0.990 | 1     | 1.010 | MHz  |
| f <sub>CAL(8MHz)</sub>             | 8-MHz calibration value  | BCSCTL1 = CALBC1_8MHZ,<br>DCOCTL = CALDCO_8MHZ,<br>Gating time: 5 ms   | 25°C           | 3 V             | 7.920 | 8     | 8.080 | MHz  |
| f <sub>CAL(12MHz)</sub>            | 12-MHz calibration value | BCSCTL1 = CALBC1_12MHZ,<br>DCOCTL = CALDCO_12MHZ,<br>Gating time: 5 ms | 25°C           | 3 V             | 11.88 | 12    | 12.12 | MHz  |
| f <sub>CAL(16MHz)</sub>            | 16-MHz calibration value | BCSCTL1 = CALBC1_16MHZ,<br>DCOCTL = CALDCO_16MHZ,<br>Gating time: 2 ms | 25°C           | 3 V             | 15.84 | 16    | 16.16 | MHz  |

## 8.21 Calibrated DCO Frequencies – Tolerance Over Temperature 0°C to 85°C

over recommended ranges of supply voltage and operating free-air temperature (unless otherwise noted)

| PARAMETER                         |                          | TEST CONDITIONS  | T <sub>A</sub> | V <sub>CC</sub> | MIN   | TYP   | MAX   | UNIT |
|-----------------------------------|--------------------------|--|----------------|-----------------|-------|-------|-------|------|
| 1-MHz tolerance over temperature  |                          |  | 0°C to 85°C    | 3 V             | -2.5% | ±0.5% | +2.5% |      |
| 8-MHz tolerance over temperature  |                          |  | 0°C to 85°C    | 3 V             | -2.5% | ±1.0% | +2.5% |      |
| 12-MHz tolerance over temperature |                          |  | 0°C to 85°C    | 3 V             | -2.5% | ±1.0% | +2.5% |      |
| 16-MHz tolerance over temperature |                          |  | 0°C to 85°C    | 3 V             | -3%   | ±2.0% | +3%   |      |
| f <sub>CAL(1MHz)</sub>            | 1-MHz calibration value  | BCSCTL1 = CALBC1_1MHZ,<br>DCOCTL = CALDCO_1MHZ,<br>Gating time: 5 ms   | 0°C to 85°C    | 2.2 V           | 0.970 | 1     | 1.030 | MHz  |
|                                   |                          |  |                | 3 V             | 0.975 | 1     | 1.025 |      |
|                                   |                          |  |                | 3.6 V           | 0.970 | 1     | 1.030 |      |
| f <sub>CAL(8MHz)</sub>            | 8-MHz calibration value  | BCSCTL1 = CALBC1_8MHZ,<br>DCOCTL = CALDCO_8MHZ,<br>Gating time: 5 ms   | 0°C to 85°C    | 2.2 V           | 7.760 | 8     | 8.40  | MHz  |
|                                   |                          |  |                | 3 V             | 7.800 | 8     | 8.20  |      |
|                                   |                          |  |                | 3.6 V           | 7.600 | 8     | 8.24  |      |
| f <sub>CAL(12MHz)</sub>           | 12-MHz calibration value | BCSCTL1 = CALBC1_12MHZ,<br>DCOCTL = CALDCO_12MHZ,<br>Gating time: 5 ms | 0°C to 85°C    | 2.2 V           | 11.64 | 12    | 12.36 | MHz  |
|                                   |                          |  |                | 3 V             | 11.64 | 12    | 12.36 |      |
|                                   |                          |  |                | 3.6 V           | 11.64 | 12    | 12.36 |      |
| f <sub>CAL(16MHz)</sub>           | 16-MHz calibration value | BCSCTL1 = CALBC1_16MHZ,<br>DCOCTL = CALDCO_16MHZ,<br>Gating time: 2 ms | 0°C to 85°C    | 3 V             | 15.52 | 16    | 16.48 | MHz  |
|                                   |                          |  |                | 3.6 V           | 15.00 | 16    | 16.48 |      |

## 8.22 Calibrated DCO Frequencies – Tolerance Over Supply Voltage $V_{CC}$

over recommended ranges of supply voltage and operating free-air temperature (unless otherwise noted)

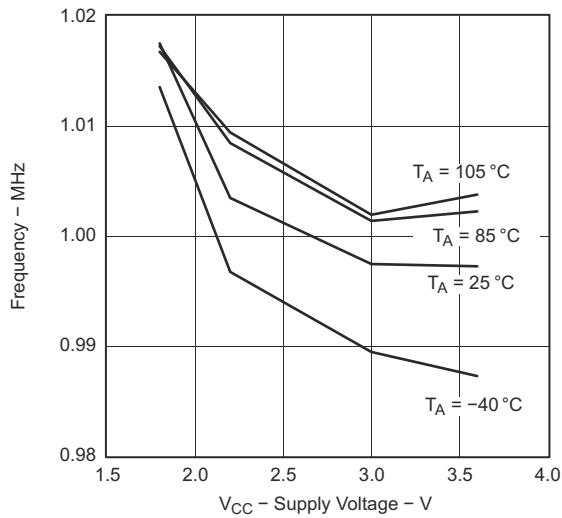
| PARAMETER                                 | TEST CONDITIONS  | $T_A$ | $V_{CC}$       | MIN   | TYP | MAX   | UNIT |
|---|--|-------|----------------|-------|-----|-------|------|
| 1-MHz tolerance over $V_{CC}$             |  | 25°C  | 1.8 V to 3.6 V | -3%   | ±2% | +3%   |      |
| 8-MHz tolerance over $V_{CC}$             |  | 25°C  | 1.8 V to 3.6 V | -3%   | ±2% | +3%   |      |
| 12-MHz tolerance over $V_{CC}$            |  | 25°C  | 2.2 V to 3.6 V | -3%   | ±2% | +3%   |      |
| 16-MHz tolerance over $V_{CC}$            |  | 25°C  | 3 V to 3.6 V   | -6%   | ±2% | +3%   |      |
| $f_{CAL(1MHz)}$ 1-MHz calibration value   | BCSCTL1 = CALBC1_1MHZ,<br>DCOCTL = CALDCO_1MHZ,<br>Gating time: 5 ms   | 25°C  | 1.8 V to 3.6 V | 0.97  | 1   | 1.03  | MHz  |
| $f_{CAL(8MHz)}$ 8-MHz calibration value   | BCSCTL1 = CALBC1_8MHZ,<br>DCOCTL = CALDCO_8MHZ,<br>Gating time: 5 ms   | 25°C  | 1.8 V to 3.6 V | 7.76  | 8   | 8.24  | MHz  |
| $f_{CAL(12MHz)}$ 12-MHz calibration value | BCSCTL1 = CALBC1_12MHZ,<br>DCOCTL = CALDCO_12MHZ,<br>Gating time: 5 ms | 25°C  | 2.2 V to 3.6 V | 11.64 | 12  | 12.36 | MHz  |
| $f_{CAL(16MHz)}$ 16-MHz calibration value | BCSCTL1 = CALBC1_16MHZ,<br>DCOCTL = CALDCO_16MHZ,<br>Gating time: 2 ms | 25°C  | 3 V to 3.6 V   | 15    | 16  | 16.48 | MHz  |

## 8.23 Calibrated DCO Frequencies – Overall Tolerance

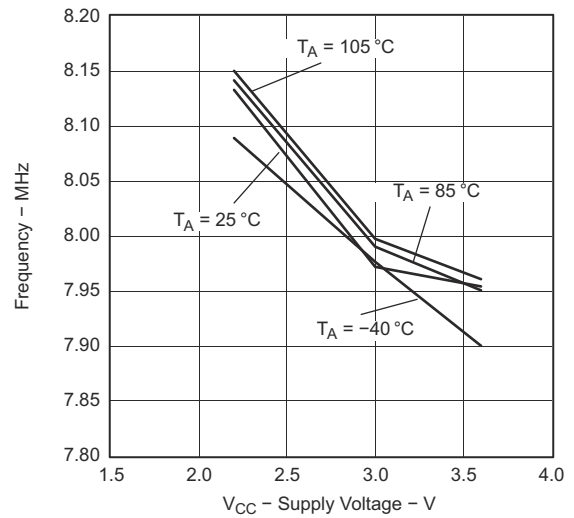
over recommended ranges of supply voltage and operating free-air temperature (unless otherwise noted)

| PARAMETER  | TEST CONDITIONS  | $T_A$          | $V_{CC}$       | MIN  | TYP | MAX  | UNIT |
|--|--|----------------|----------------|------|-----|------|------|
| 1-MHz tolerance overall  |  | -40°C to 105°C | 1.8 V to 3.6 V | -5%  | ±2% | +5%  |      |
| 8-MHz tolerance overall  |  | -40°C to 105°C | 1.8 V to 3.6 V | -5%  | ±2% | +5%  |      |
| 12-MHz tolerance overall   |  | -40°C to 105°C | 2.2 V to 3.6 V | -5%  | ±2% | +5%  |      |
| 16-MHz tolerance overall   |  | -40°C to 105°C | 3 V to 3.6 V   | -6%  | ±3% | +6%  |      |
| $f_{CAL(1MHz)}$ 1-MHz calibration value (see <a href="#">Figure 8-14</a> )   | BCSCTL1 = CALBC1_1MHZ,<br>DCOCTL = CALDCO_1MHZ,<br>Gating time: 5 ms   | -40°C to 105°C | 1.8 V to 3.6 V | 0.95 | 1   | 1.05 | MHz  |
| $f_{CAL(8MHz)}$ 8-MHz calibration value (see <a href="#">Figure 8-15</a> )   | BCSCTL1 = CALBC1_8MHZ,<br>DCOCTL = CALDCO_8MHZ,<br>Gating time: 5 ms   | -40°C to 105°C | 1.8 V to 3.6 V | 7.6  | 8   | 8.4  | MHz  |
| $f_{CAL(12MHz)}$ 12-MHz calibration value (see <a href="#">Figure 8-16</a> ) | BCSCTL1 = CALBC1_12MHZ,<br>DCOCTL = CALDCO_12MHZ,<br>Gating time: 5 ms | -40°C to 105°C | 2.2 V to 3.6 V | 11.4 | 12  | 12.6 | MHz  |
| $f_{CAL(16MHz)}$ 16-MHz calibration value (see <a href="#">Figure 8-17</a> ) | BCSCTL1 = CALBC1_16MHZ,<br>DCOCTL = CALDCO_16MHZ,<br>Gating time: 2 ms | -40°C to 105°C | 3 V to 3.6 V   | 15   | 16  | 17   | MHz  |

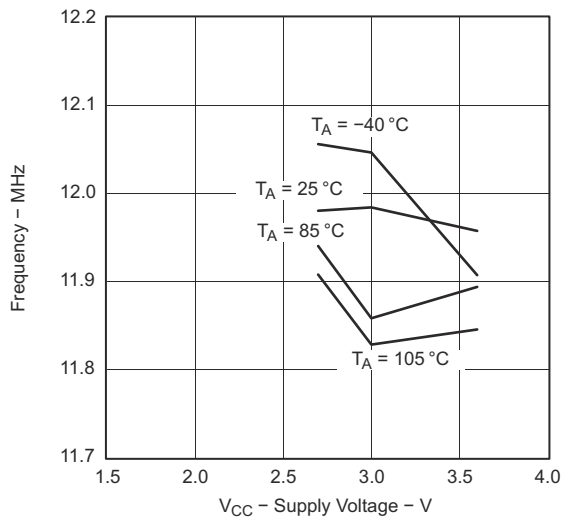
## 8.24 Typical Characteristics – Calibrated DCO Frequency



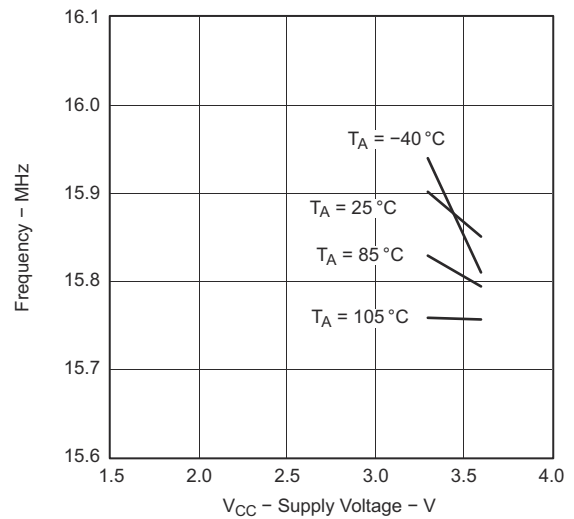
**Figure 8-14. Calibrated 1-MHz Frequency vs Supply Voltage**



**Figure 8-15. Calibrated 8-MHz Frequency vs Supply Voltage**



**Figure 8-16. Calibrated 12-MHz Frequency vs Supply Voltage**



**Figure 8-17. Calibrated 16-MHz Frequency vs Supply Voltage**

### 8.25 Wake-up Times From Lower-Power Modes (LPM3, LPM4)

over recommended ranges of supply voltage and operating free-air temperature (unless otherwise noted)

| PARAMETER  | TEST CONDITIONS                                  | V <sub>CC</sub> | MIN | TYP   | MAX | UNIT |
|--|--|-----------------|-----|---|-----|------|
| t <sub>DCO,LPM3/4</sub><br>DCO clock wake-up time from LPM3 or LPM4 <sup>(1)</sup> (see Figure 8-18) | BCSCTL1 = CALBC1_1MHZ,<br>DCOCTL = CALDCO_1MHZ   | 2.2 V, 3 V      |     |   | 2   | μs   |
|  | BCSCTL1 = CALBC1_8MHZ,<br>DCOCTL = CALDCO_8MHZ   |                 |     | 1.5   |     |      |
|  | BCSCTL1 = CALBC1_12MHZ,<br>DCOCTL = CALDCO_12MHZ |                 |     | 1   |     |      |
|  | BCSCTL1 = CALBC1_16MHZ,<br>DCOCTL = CALDCO_16MHZ | 3 V             |     | 1   |     |      |
| t <sub>CPU,LPM3/4</sub><br>CPU wake-up time from LPM3 or LPM4 <sup>(2)</sup>                         |  |                 |     | 1 / f <sub>MCLK</sub> + t <sub>clock,LPM3/4</sub> |     |      |

- (1) The DCO clock wake-up time is measured from the edge of an external wake-up signal (for example, port interrupt) to the first clock edge observable externally on a clock pin (MCLK or SMCLK).
- (2) Parameter applicable only if DCOCLK is used for MCLK.

### 8.26 Typical Characteristics – DCO Clock Wake-up Time From LPM3 or LPM4

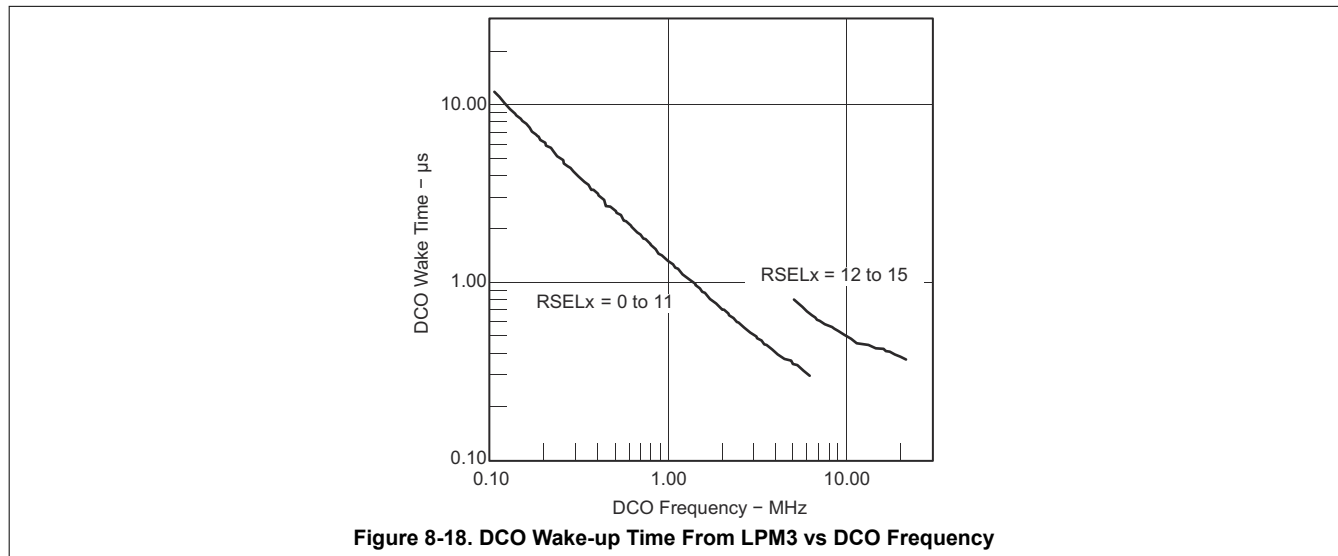


Figure 8-18. DCO Wake-up Time From LPM3 vs DCO Frequency

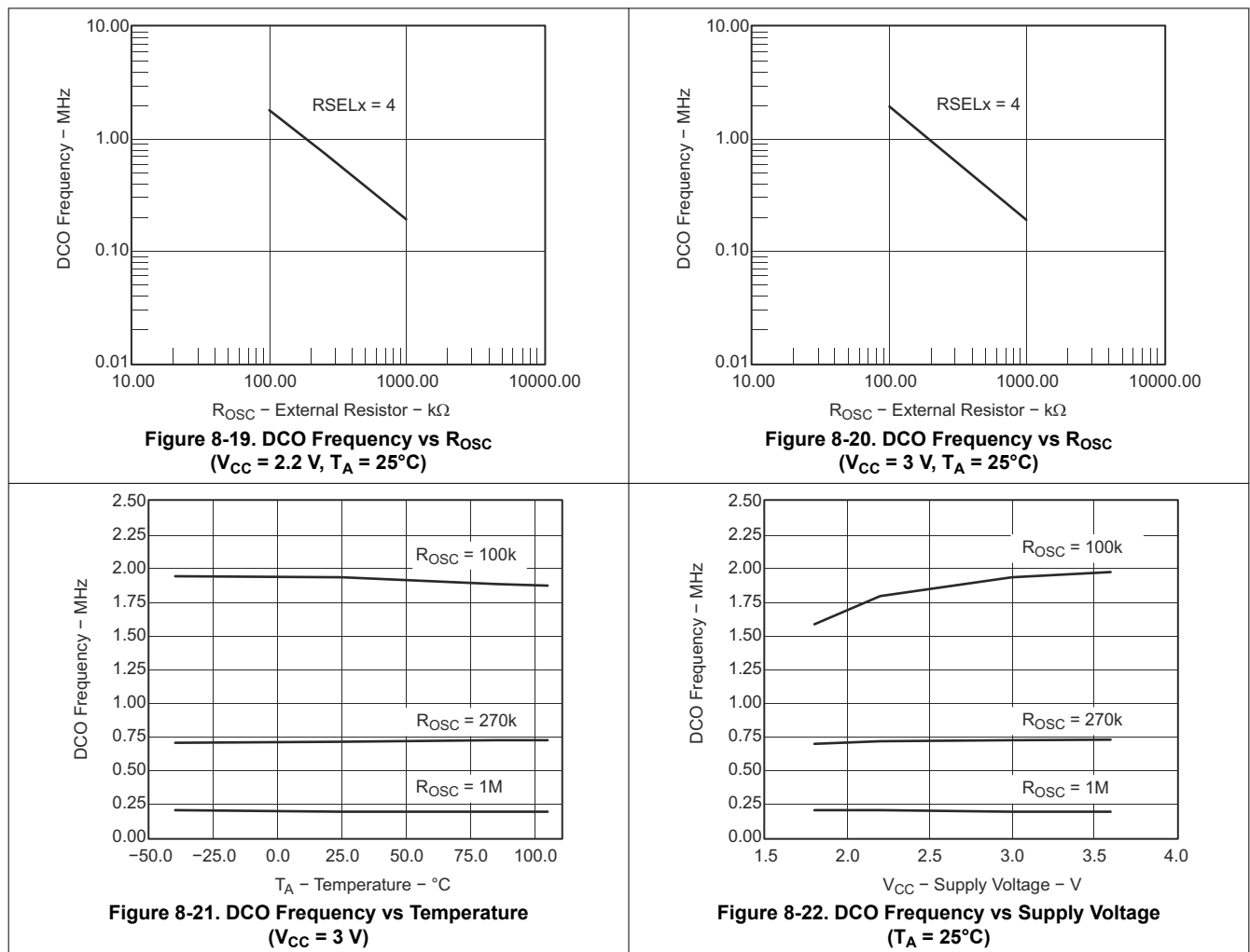
## 8.27 DCO With External Resistor $R_{OSC}$

over recommended ranges of supply voltage and operating free-air temperature (unless otherwise noted)<sup>(1)</sup>  
(see [Figure 8-19](#), [Figure 8-20](#), [Figure 8-21](#), and [Figure 8-22](#))

| PARAMETER  | TEST CONDITIONS  | V <sub>CC</sub> | TYP  | UNIT |
|--|--|-----------------|------|------|
| f <sub>DCO,ROSC</sub> DCO output frequency with R <sub>OSC</sub> | DCOR = 1,<br>RSELx = 4, DCOx = 3, MODx = 0,<br>T <sub>A</sub> = 25°C | 2.2 V           | 1.8  | MHz  |
|  |  | 3 V             | 1.95 |      |
| D <sub>T</sub> Temperature drift                                 | DCOR = 1,<br>RSELx = 4, DCOx = 3, MODx = 0                           | 2.2 V, 3 V      | ±0.1 | %/°C |
| D <sub>V</sub> Drift with V <sub>CC</sub>                        | DCOR = 1,<br>RSELx = 4, DCOx = 3, MODx = 0                           | 2.2 V, 3 V      | 10   | %/V  |

(1) R<sub>OSC</sub> = 100 kΩ. Metal film resistor, type 0257, 0.6 W with 1% tolerance and T<sub>K</sub> = ±50 ppm/°C.

## 8.28 Typical Characteristics – DCO With External Resistor $R_{OSC}$





## 8.29 Crystal Oscillator LFXT1, Low-Frequency Mode

over recommended ranges of supply voltage and operating free-air temperature (unless otherwise noted)<sup>(1)</sup>

| PARAMETER                   |   | TEST CONDITIONS  | V <sub>CC</sub> | MIN   | TYP   | MAX   | UNIT |
|-----------------------------|---|--|-----------------|-------|-------|-------|------|
| f <sub>LFXT1,LF</sub>       | LFXT1 oscillator crystal frequency, LF mode 0, 1                  | XTS = 0, LFXT1Sx = 0 or 1  | 1.8 V to 3.6 V  |       | 32768 |       | Hz   |
| f <sub>LFXT1,LF,logic</sub> | LFXT1 oscillator logic level square wave input frequency, LF mode | XTS = 0, LFXT1Sx = 3, XCAPx = 0  | 1.8 V to 3.6 V  | 10000 | 32768 | 50000 | Hz   |
| O <sub>A,LF</sub>           | Oscillation allowance for LF crystals                             | XTS = 0, LFXT1Sx = 0, f <sub>LFXT1,LF</sub> = 32768 Hz, C <sub>L,eff</sub> = 6 pF  |                 |       | 500   |       | kΩ   |
|                             |   | XTS = 0, LFXT1Sx = 0, f <sub>LFXT1,LF</sub> = 32768 Hz, C <sub>L,eff</sub> = 12 pF |                 |       | 200   |       |      |
| C <sub>L,eff</sub>          | Integrated effective load capacitance, LF mode <sup>(2)</sup>     | XTS = 0, XCAPx = 0   |                 |       | 1     |       | pF   |
|                             |   | XTS = 0, XCAPx = 1   |                 |       | 5.5   |       |      |
|                             |   | XTS = 0, XCAPx = 2   |                 |       | 8.5   |       |      |
|                             |   | XTS = 0, XCAPx = 3   |                 |       | 11    |       |      |
|                             | Duty cycle, LF mode   | XTS = 0, Measured at P2.0/ACLK, f <sub>LFXT1,LF</sub> = 32768 Hz                   | 2.2 V, 3 V      | 30%   | 50%   | 70%   |      |
| f <sub>Fault,LF</sub>       | Oscillator fault frequency, LF mode <sup>(3)</sup>                | XTS = 0, LFXT1Sx = 3, XCAPx = 0 <sup>(4)</sup>                                     | 2.2 V, 3 V      | 10    |       | 10000 | Hz   |

- (1) To improve EMI on the XT1 oscillator, the following guidelines should be observed.
- Keep the trace between the device and the crystal as short as possible.
  - Design a good ground plane around the oscillator pins.
  - Prevent crosstalk from other clock or data lines into oscillator pins XIN and XOUT.
  - Avoid running PCB traces underneath or adjacent to the XIN and XOUT pins.
  - Use assembly materials and processes that avoid any parasitic load on the oscillator XIN and XOUT pins.
  - If conformal coating is used, make sure that it does not induce capacitive or resistive leakage between the oscillator pins.
  - Do not route the XOUT line to the JTAG header to support the serial programming adapter as shown in other documentation. This signal is no longer required for the serial programming adapter.
- (2) Includes parasitic bond and package capacitance (approximately 2 pF per pin). Because the PCB adds additional capacitance, verify the correct load by measuring the ACLK frequency. For a correct setup, the effective load capacitance should always match the specification of the crystal that is used.
- (3) Frequencies below the MIN specification set the fault flag. Frequencies above the MAX specification do not set the fault flag. Frequencies in between might set the flag.
- (4) Measured with logic-level input frequency but also applies to operation with crystals.

## 8.30 Internal Very-Low-Power Low-Frequency Oscillator (VLO)

over recommended ranges of supply voltage and operating free-air temperature (unless otherwise noted)

| PARAMETER                           |   | T <sub>A</sub> | V <sub>CC</sub> | MIN | TYP | MAX | UNIT |
|-------------------------------------|---|----------------|-----------------|-----|-----|-----|------|
| f <sub>VLO</sub>                    | VLO frequency                                     | -40°C to 85°C  | 2.2 V, 3 V      | 4   | 12  | 20  | kHz  |
|                                     |   | 105°C          |                 |     |     | 22  |      |
| df <sub>VLO</sub> /dT               | VLO frequency temperature drift <sup>(1)</sup>    |                | 2.2 V, 3 V      |     | 0.5 |     | %/°C |
| df <sub>VLO</sub> /dV <sub>CC</sub> | VLO frequency supply voltage drift <sup>(2)</sup> | 25°C           | 1.8 V to 3.6 V  |     | 4   |     | %/V  |

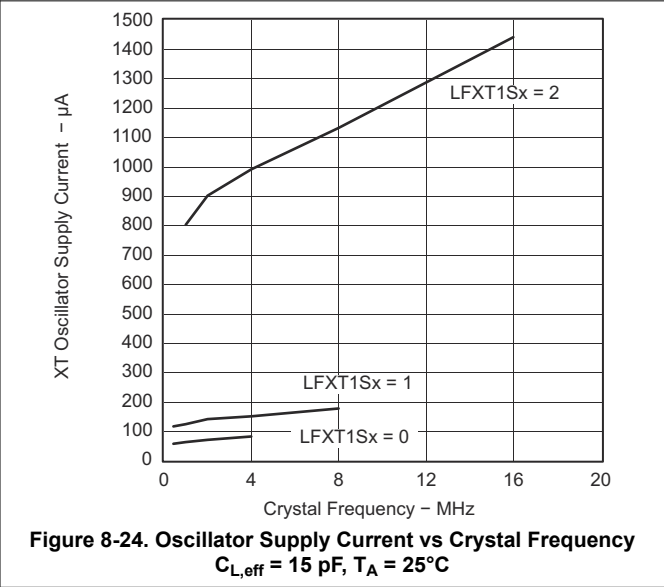
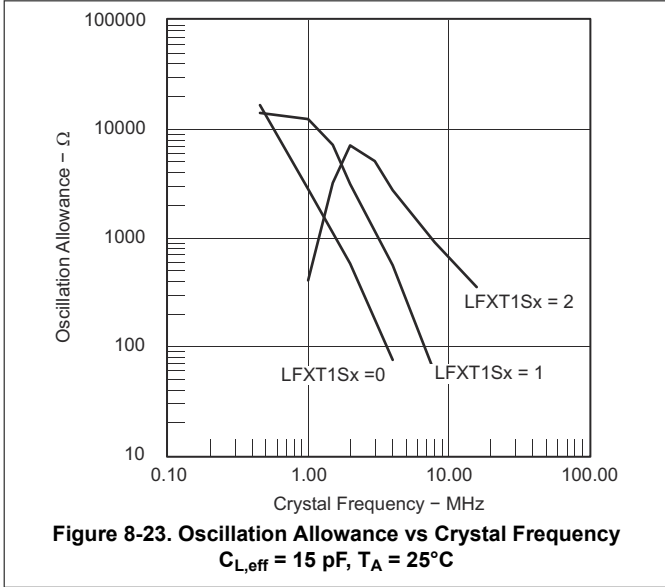
- (1) Calculated using the box method:  
I: (MAX(-40°C to 85°C) – MIN(-40°C to 85°C)) / MIN(-40°C to 85°C) / (85°C – (-40°C))  
T: (MAX(-40°C to 105°C) – MIN(-40°C to 105°C)) / MIN(-40°C to 105°C) / (105°C – (-40°C))
- (2) Calculated using the box method: (MAX(1.8 V to 3.6 V) – MIN(1.8 V to 3.6 V)) / MIN(1.8 V to 3.6 V) / (3.6 V – 1.8 V)

### 8.31 Crystal Oscillator LFXT1, High-Frequency Mode

| PARAMETER <sup>(1)</sup>    |   | TEST CONDITIONS   | V <sub>CC</sub> | MIN | TYP  | MAX | UNIT |
|-----------------------------|---|---|-----------------|-----|------|-----|------|
| f <sub>LFXT1,HF0</sub>      | LFXT1 oscillator crystal frequency, HF mode 0                           | XTS = 1, LFXT1Sx = 0, XCAPx = 0   | 1.8 V to 3.6 V  | 0.4 |      | 1   | MHz  |
| f <sub>LFXT1,HF1</sub>      | LFXT1 oscillator crystal frequency, HF mode 1                           | XTS = 1, LFXT1Sx = 1, XCAPx = 0   | 1.8 V to 3.6 V  | 1   |      | 4   | MHz  |
| f <sub>LFXT1,HF2</sub>      | LFXT1 oscillator crystal frequency, HF mode 2                           | XTS = 1, LFXT1Sx = 2, XCAPx = 0   | 1.8 V to 3.6 V  | 2   |      | 10  | MHz  |
|                             |   |   | 2.2 V to 3.6 V  | 2   |      | 12  |      |
|                             |   |   | 3 V to 3.6 V    | 2   |      | 16  |      |
| f <sub>LFXT1,HF,logic</sub> | LFXT1 oscillator logic-level square-wave input frequency, HF mode       | XTS = 1, LFXT1Sx = 3, XCAPx = 0   | 1.8 V to 3.6 V  | 0.4 |      | 10  | MHz  |
|                             |   |   | 2.2 V to 3.6 V  | 0.4 |      | 12  |      |
|                             |   |   | 3 V to 3.6 V    | 0.4 |      | 16  |      |
| OA <sub>HF</sub>            | Oscillation allowance for HF crystals (see Figure 8-23 and Figure 8-24) | XTS = 1, XCAPx = 0, LFXT1Sx = 0, f <sub>LFXT1,HF</sub> = 1 MHz, C <sub>L,eff</sub> = 15 pF  |                 |     | 2700 |     | Ω    |
|                             |   | XTS = 1, XCAPx = 0, LFXT1Sx = 1, f <sub>LFXT1,HF</sub> = 4 MHz, C <sub>L,eff</sub> = 15 pF  |                 |     | 800  |     |      |
|                             |   | XTS = 1, XCAPx = 0, LFXT1Sx = 2, f <sub>LFXT1,HF</sub> = 16 MHz, C <sub>L,eff</sub> = 15 pF |                 |     | 300  |     |      |
| C <sub>L,eff</sub>          | Integrated effective load capacitance, HF mode <sup>(2)</sup>           | XTS = 1, XCAPx = 0 <sup>(3)</sup>   |                 |     | 1    |     | pF   |
|                             | Duty cycle, HF mode   | XTS = 1, XCAPx = 0, Measured at P2.0/ACLK, f <sub>LFXT1,HF</sub> = 10 MHz                   | 2.2 V, 3 V      | 40% | 50%  | 60% |      |
|                             |   | XTS = 1, XCAPx = 0, Measured at P2.0/ACLK, f <sub>LFXT1,HF</sub> = 16 MHz                   |                 | 40% | 50%  | 60% |      |
| f <sub>Fault,HF</sub>       | Oscillator fault frequency <sup>(4)</sup>                               | XTS = 1, LFXT1Sx = 3, XCAPx = 0 <sup>(5)</sup>  | 2.2 V, 3 V      | 30  |      | 300 | kHz  |

- (1) To improve EMI on the XT2 oscillator the following guidelines should be observed:
  - Keep the trace between the device and the crystal as short as possible.
  - Design a good ground plane around the oscillator pins.
  - Prevent crosstalk from other clock or data lines into oscillator pins XIN and XOUT.
  - Avoid running PCB traces underneath or adjacent to the XIN and XOUT pins.
  - Use assembly materials and processes that avoid any parasitic load on the oscillator XIN and XOUT pins.
  - If conformal coating is used, make sure that it does not induce capacitive or resistive leakage between the oscillator pins.
  - Do not route the XOUT line to the JTAG header to support the serial programming adapter as shown in other documentation. This signal is no longer required for the serial programming adapter.
- (2) Includes parasitic bond and package capacitance (approximately 2 pF per pin). Because the PCB adds additional capacitance, verify the correct load by measuring the ACLK frequency. For a correct setup, the effective load capacitance should always match the specification of the used crystal.
- (3) Requires external capacitors at both terminals. Values are specified by crystal manufacturers.
- (4) Frequencies below the MIN specification set the fault flag, frequencies above the MAX specification do not set the fault flag, and frequencies in between might set the flag.
- (5) Measured with logic-level input frequency, but also applies to operation with crystals.

### 8.32 Typical Characteristics – LFXT1 Oscillator in HF Mode (XTS = 1)

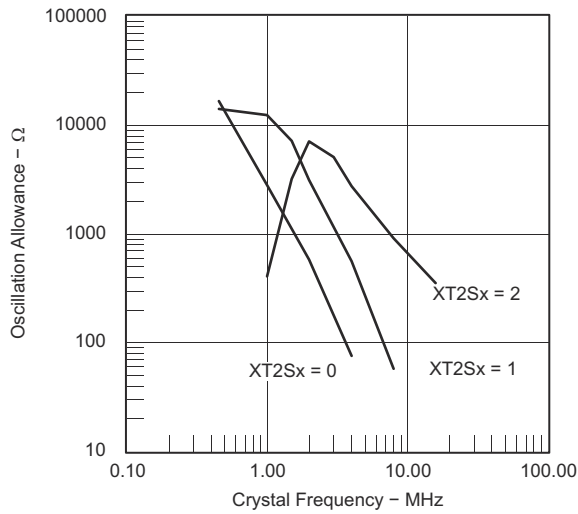


### 8.33 Crystal Oscillator XT2

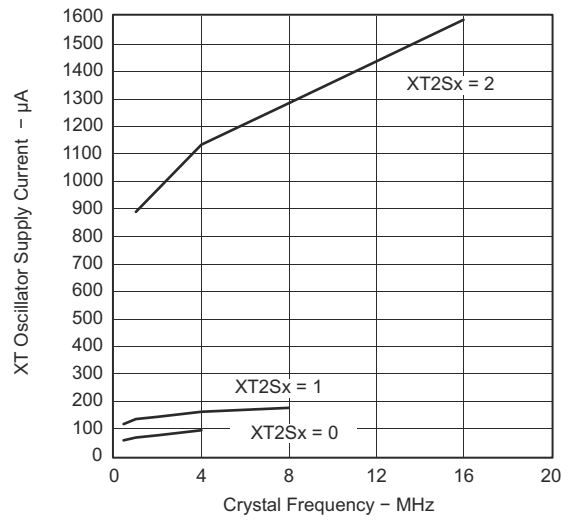
| PARAMETER <sup>(1)</sup> |  | TEST CONDITIONS  | V <sub>CC</sub> | MIN  | TYP | MAX | UNIT |
|--------------------------|--|--|-----------------|------|-----|-----|------|
| f <sub>XT2</sub>         | XT2 oscillator crystal frequency, mode 0   | XT2Sx = 0  | 1.8 V to 3.6 V  | 0.4  |     | 1   | MHz  |
| f <sub>XT2</sub>         | XT2 oscillator crystal frequency, mode 1   | XT2Sx = 1  | 1.8 V to 3.6 V  | 1    |     | 4   | MHz  |
| f <sub>XT2</sub>         | XT2 oscillator crystal frequency, mode 2   | XT2Sx = 2  | 1.8 V to 2.2 V  | 2    |     | 10  | MHz  |
|                          |  |  | 2.2 V to 3.6 V  | 2    |     | 12  |      |
|                          |  |  | 3 V to 3.6 V    | 2    |     | 16  |      |
| f <sub>XT2</sub>         | XT2 oscillator logic-level square-wave input frequency                                   | XT2Sx = 3  | 1.8 V to 2.2 V  | 0.4  |     | 10  | MHz  |
|                          |  |  | 2.2 V to 3.6 V  | 0.4  |     | 12  |      |
|                          |  |  | 3 V to 3.6 V    | 0.4  |     | 16  |      |
| OA                       | Oscillation allowance (see <a href="#">Figure 8-25</a> and <a href="#">Figure 8-26</a> ) | XT2Sx = 0, f <sub>XT2</sub> = 1 MHz, C <sub>L,eff</sub> = 15 pF  |                 | 2700 |     |     | Ω    |
|                          |  | XT2Sx = 1, f <sub>XT2</sub> = 4 MHz, C <sub>L,eff</sub> = 15 pF  |                 | 800  |     |     |      |
|                          |  | XT2Sx = 2, f <sub>XT2</sub> = 16 MHz, C <sub>L,eff</sub> = 15 pF |                 | 300  |     |     |      |
| C <sub>L,eff</sub>       | Integrated effective load capacitance, HF mode <sup>(2)</sup>                            | See <sup>(3)</sup>   |                 | 1    |     |     | pF   |
| Duty cycle               |  | Measured at P1.4/SMCLK, f <sub>XT2</sub> = 10 MHz                | 2.2 V, 3 V      | 40%  | 50% | 60% |      |
|                          |  | Measured at P1.4/SMCLK, f <sub>XT2</sub> = 16 MHz                |                 | 40%  | 50% | 60% |      |
| f <sub>Fault</sub>       | Oscillator fault frequency, HF mode <sup>(4)</sup>                                       | XT2Sx = 3 <sup>(5)</sup>   | 2.2 V, 3 V      | 30   |     | 300 | kHz  |

- (1) To improve EMI on the XT2 oscillator the following guidelines should be observed:
- Keep the trace between the device and the crystal as short as possible.
  - Design a good ground plane around the oscillator pins.
  - Prevent crosstalk from other clock or data lines into oscillator pins XT2IN and XT2OUT.
  - Avoid running PCB traces underneath or adjacent to the XT2IN and XT2OUT pins.
  - Use assembly materials and processes that avoid any parasitic load on the oscillator XT2IN and XT2OUT pins.
  - If conformal coating is used, make sure that it does not induce capacitive or resistive leakage between the oscillator pins.
- (2) Includes parasitic bond and package capacitance (approximately 2 pF per pin). Because the PCB adds additional capacitance, verify the correct load by measuring the ACLK frequency. For a correct setup, the effective load capacitance should always match the specification of the used crystal.
- (3) Requires external capacitors at both terminals. Values are specified by crystal manufacturers.
- (4) Frequencies below the MIN specification set the fault flag, frequencies above the MAX specification do not set the fault flag, and frequencies in between might set the flag.
- (5) Measured with logic-level input frequency, but also applies to operation with crystals.

### 8.34 Typical Characteristics – XT2 Oscillator



**Figure 8-25. Oscillation Allowance vs Crystal Frequency**  
 $C_{L,eff} = 15 \text{ pF}$ ,  $T_A = 25^\circ\text{C}$



**Figure 8-26. Oscillator Supply Current vs Crystal Frequency**  
 $C_{L,eff} = 15 \text{ pF}$ ,  $T_A = 25^\circ\text{C}$

### 8.35 Timer\_A

over recommended ranges of supply voltage and operating free-air temperature (unless otherwise noted)

| PARAMETER                                  | TEST CONDITIONS  | V <sub>CC</sub> | MIN | TYP | MAX | UNIT |
|--|--|-----------------|-----|-----|-----|------|
| f <sub>TA</sub> Timer_A clock frequency    | Internal: SMCLK or ACLK,<br>External: TACLK or INCLK,<br>Duty cycle = 50% ±10% | 2.2 V           |     |     | 10  | MHz  |
|  |  | 3 V             |     |     | 16  |      |
| t <sub>TA,cap</sub> Timer_A capture timing | TA0, TA1, TA2  | 2.2 V, 3 V      | 20  |     |     | ns   |

### 8.36 Timer\_B

over recommended ranges of supply voltage and operating free-air temperature (unless otherwise noted)

| PARAMETER                                  | TEST CONDITIONS  | V <sub>CC</sub> | MIN | TYP | MAX | UNIT |
|--|--|-----------------|-----|-----|-----|------|
| f <sub>TB</sub> Timer_B clock frequency    | Internal: SMCLK or ACLK,<br>External: TBCLK or INCLK,<br>Duty cycle = 50% ±10% | 2.2 V           |     |     | 10  | MHz  |
|  |  | 3 V             |     |     | 16  |      |
| t <sub>TB,cap</sub> Timer_B capture timing | TB0, TB1, TB2  | 2.2 V, 3 V      | 20  |     |     | ns   |

### 8.37 USCI (UART Mode)

over recommended ranges of supply voltage and operating free-air temperature (unless otherwise noted)

| PARAMETER  | TEST CONDITIONS  | V <sub>CC</sub> | MIN | TYP | MAX                 | UNIT |
|--|--|-----------------|-----|-----|---------------------|------|
| f <sub>USCI</sub> USCI input clock frequency   | Internal: SMCLK or ACLK,<br>External: UCLK,<br>Duty cycle = 50% ±10% |                 |     |     | f <sub>SYSTEM</sub> | MHz  |
| f <sub>BITCLK</sub> BITCLK clock frequency<br>(equals baud rate in MBaud) <sup>(1)</sup> |  | 2.2 V, 3 V      |     |     | 1                   | MHz  |
| t <sub>r</sub> UART receive deglitch time <sup>(2)</sup>                                 |  | 2.2 V           | 50  | 150 | 600                 | ns   |
|  |  | 3 V             | 50  | 100 | 600                 |      |

(1) The DCO wake-up time must be considered in LPM3 or LPM4 for baud rates above 1 MHz.

(2) Pulses on the UART receive input (UCxRX) shorter than the UART receive deglitch time are suppressed.

### 8.38 USCI (SPI Master Mode)

over recommended ranges of supply voltage and operating free-air temperature (unless otherwise noted)<sup>(1)</sup>

(see [Figure 8-27](#) and [Figure 8-28](#))

| PARAMETER   | TEST CONDITIONS                                 | V <sub>CC</sub> | MIN | MAX                 | UNIT |
|---|---|-----------------|-----|---------------------|------|
| f <sub>USCI</sub> USCI input clock frequency      | SMCLK, ACLK<br>Duty cycle = 50% ±10%            |                 |     | f <sub>SYSTEM</sub> | MHz  |
| t <sub>SU,MI</sub> SOMI input data setup time     |   | 2.2 V           | 110 |                     | ns   |
|   |   | 3 V             | 75  |                     |      |
| t <sub>HD,MI</sub> SOMI input data hold time      |   | 2.2 V           | 0   |                     | ns   |
|   |   | 3 V             | 0   |                     |      |
| t <sub>VALID,MO</sub> SIMO output data valid time | UCLK edge to SIMO valid, C <sub>L</sub> = 20 pF | 2.2 V           |     | 30                  | ns   |
|   |   | 3 V             |     | 20                  |      |

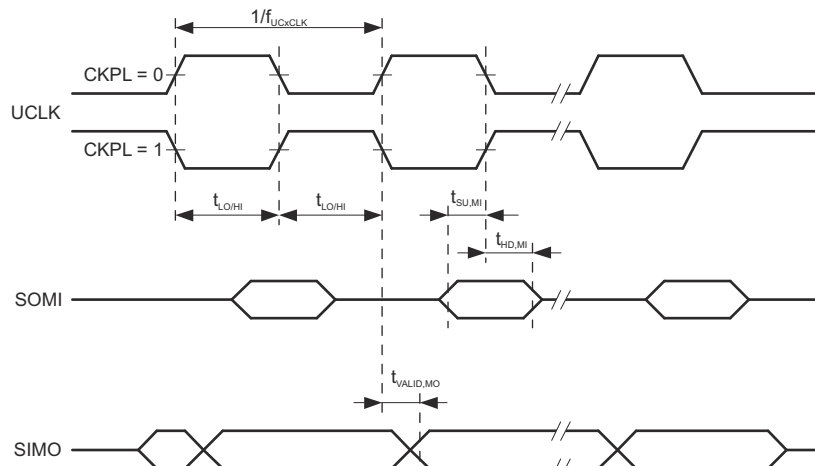
(1)  $f_{UCxCLK} = 1/2t_{LO/HI}$  with  $t_{LO/HI} \geq \max(t_{VALID,MO}(USCI) + t_{SU,SI}(Slave), t_{SU,MI}(USCI) + t_{VALID,SO}(Slave))$   
For the slave parameters  $t_{SU,SI}(Slave)$  and  $t_{VALID,SO}(Slave)$ , see the SPI parameters of the attached slave.

### 8.39 USCI (SPI Slave Mode)

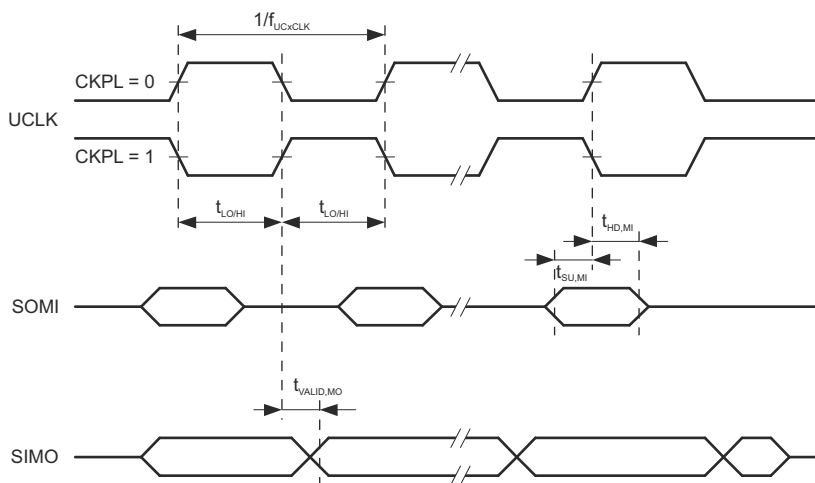
over recommended ranges of supply voltage and operating free-air temperature (unless otherwise noted)  
(see [Figure 8-29](#) and [Figure 8-30](#))

| PARAMETER <sup>(1)</sup> |   | TEST CONDITIONS                                    | V <sub>CC</sub> | MIN | TYP | MAX | UNIT |
|--------------------------|---|--|-----------------|-----|-----|-----|------|
| t <sub>STE,LEAD</sub>    | STE lead time, STE low to clock                   |  | 2.2 V, 3 V      |     | 50  |     | ns   |
| t <sub>STE,LAG</sub>     | STE lag time, last clock to STE high              |  | 2.2 V, 3 V      | 10  |     |     | ns   |
| t <sub>STE,ACC</sub>     | STE access time, STE low to SOMI data out         |  | 2.2 V, 3 V      |     | 50  |     | ns   |
| t <sub>STE,DIS</sub>     | STE disable time, STE high to SOMI high impedance |  | 2.2 V, 3 V      |     | 50  |     | ns   |
| t <sub>SU,SI</sub>       | SIMO input data setup time                        |  | 2.2 V           | 20  |     |     | ns   |
|                          |   |  | 3 V             | 15  |     |     |      |
| t <sub>HD,SI</sub>       | SIMO input data hold time                         |  | 2.2 V           | 10  |     |     | ns   |
|                          |   |  | 3 V             | 10  |     |     |      |
| t <sub>VALID,SO</sub>    | SOMI output data valid time                       | UCLK edge to SOMI valid,<br>C <sub>L</sub> = 20 pF | 2.2 V           |     | 75  | 110 | ns   |
|                          |   |  | 3 V             |     | 50  | 75  |      |

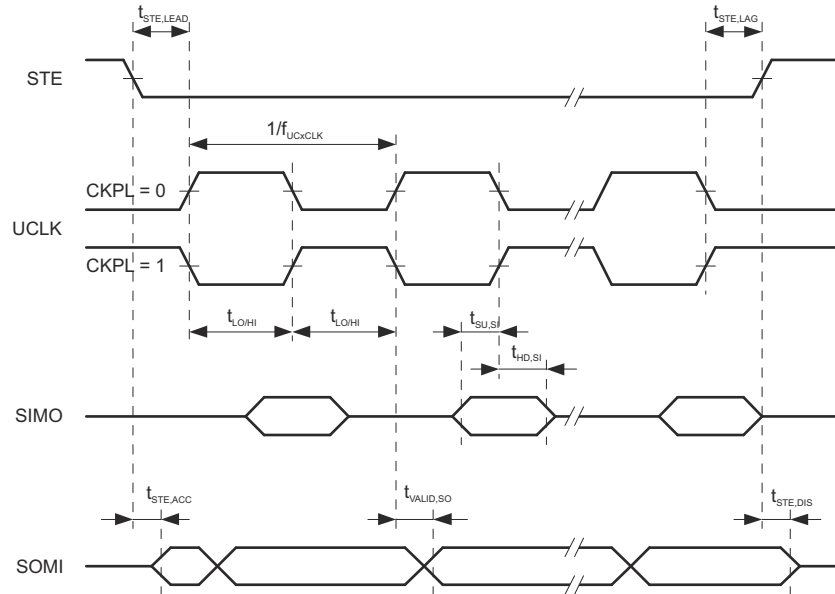
(1)  $f_{UCXCLK} = 1/2t_{LO/Hi}$  with  $t_{LO/Hi} \geq \max(t_{VALID,MO(Master)} + t_{SU,SI(USCI)}, t_{SU,MI(Master)} + t_{VALID,SO(USCI)})$   
For the master parameters  $t_{SU,MI(Master)}$  and  $t_{VALID,MO(Master)}$ , see the SPI parameters of the attached master.



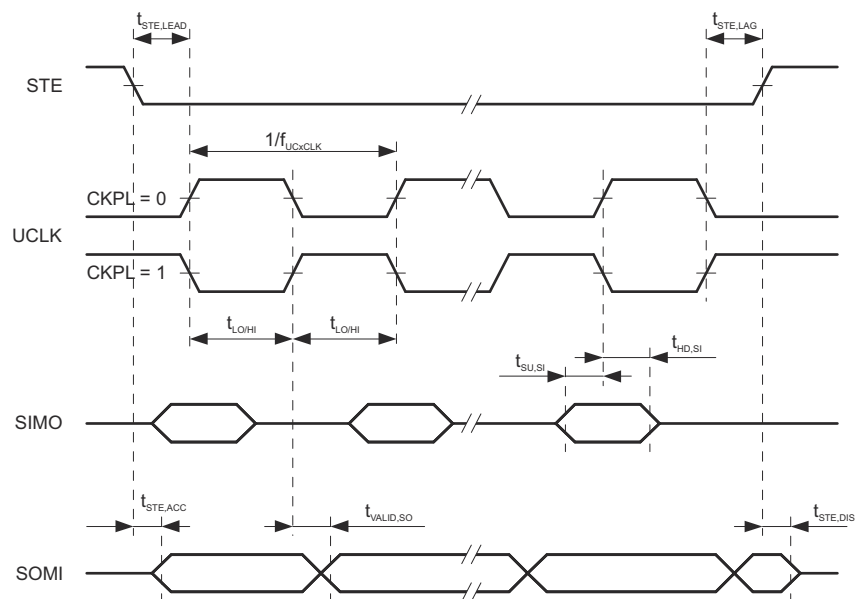
**Figure 8-27. SPI Master Mode, CKPH = 0**



**Figure 8-28. SPI Master Mode, CKPH = 1**



**Figure 8-29. SPI Slave Mode, CKPH = 0**



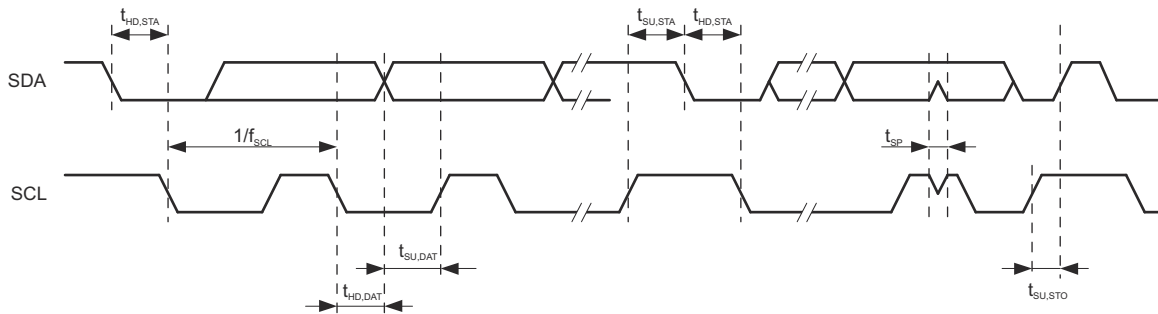
**Figure 8-30. SPI Slave Mode, CKPH = 1**



## 8.40 USCI (I<sup>2</sup>C Mode)

over recommended ranges of supply voltage and operating free-air temperature (unless otherwise noted) (see [Figure 8-31](#))

| PARAMETER           | TEST CONDITIONS                                     | V <sub>CC</sub>  | MIN        | TYP        | MAX                 | UNIT |
|---------------------|---|--|------------|------------|---------------------|------|
| f <sub>USCI</sub>   | USCI input clock frequency                          | Internal: SMCLK or ACLK,<br>External: UCLK,<br>Duty cycle = 50% ±10% |            |            | f <sub>SYSTEM</sub> | MHz  |
| f <sub>SCL</sub>    | SCL clock frequency                                 | 2.2 V, 3 V   | 0          |            | 400                 | kHz  |
| t <sub>HD,STA</sub> | Hold time (repeated) START                          | f <sub>SCL</sub> ≤ 100 kHz<br>f <sub>SCL</sub> > 100 kHz             | 2.2 V, 3 V | 4<br>0.6   |                     | μs   |
| t <sub>SU,STA</sub> | Setup time for a repeated START                     | f <sub>SCL</sub> ≤ 100 kHz<br>f <sub>SCL</sub> > 100 kHz             | 2.2 V, 3 V | 4.7<br>0.6 |                     | μs   |
| t <sub>HD,DAT</sub> | Data hold time                                      | 2.2 V, 3 V   | 0          |            |                     | ns   |
| t <sub>SU,DAT</sub> | Data setup time                                     | 2.2 V, 3 V   | 250        |            |                     | ns   |
| t <sub>SU,STO</sub> | Setup time for STOP                                 | 2.2 V, 3 V   | 4          |            |                     | μs   |
| t <sub>SP</sub>     | Pulse duration of spikes suppressed by input filter | 2.2 V<br>3 V   | 50<br>50   | 150<br>100 | 600<br>600          | ns   |



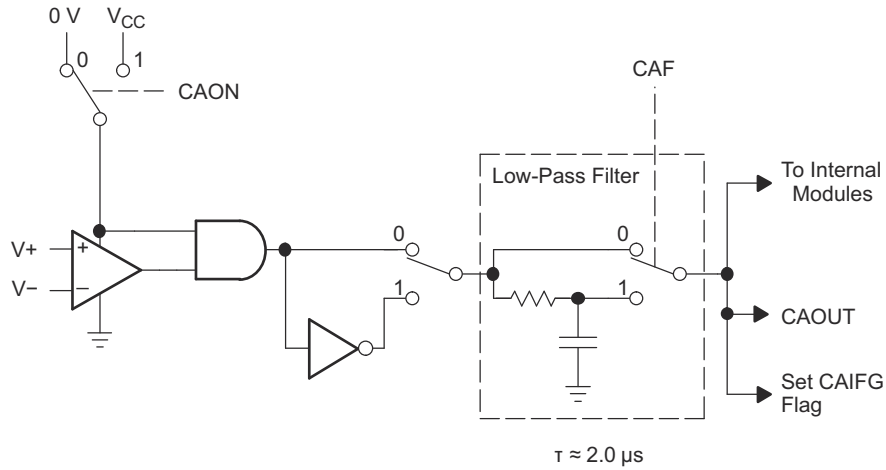
**Figure 8-31. I<sup>2</sup>C Mode Timing**

## 8.41 Comparator\_A+

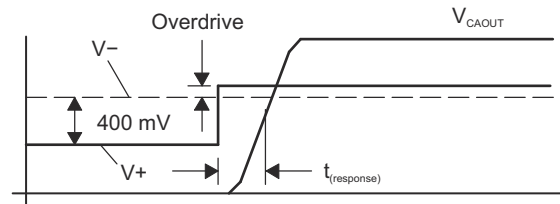
over recommended operating free-air temperature range (unless otherwise noted)<sup>(1) (2)</sup>

| PARAMETER                         | TEST CONDITIONS   | V <sub>CC</sub>  | MIN   | TYP  | MAX                 | UNIT |    |
|-----------------------------------|---|--|-------|------|---------------------|------|----|
| I <sub>(DD)</sub>                 | CAON = 1, CARSEL = 0, CAREF = 0   | 2.2 V  |       | 25   | 40                  | μA   |    |
|                                   |   | 3 V  |       | 45   | 60                  |      |    |
| I <sub>(Refladder/RefDiode)</sub> | CAON = 1, CARSEL = 0, CAREF = 1/2/3,<br>No load at P2.3/CA0/TA1 and P2.4/CA1/TA2  | 2.2 V  |       | 30   | 50                  | μA   |    |
|                                   |   | 3 V  |       | 45   | 71                  |      |    |
| V <sub>IC</sub>                   | Common-mode input voltage range<br>CAON = 1   | 2.2 V, 3 V   | 0     |      | V <sub>CC</sub> – 1 | V    |    |
| V <sub>(Ref025)</sub>             | (Voltage at 0.25 V <sub>CC</sub> node) + V <sub>CC</sub><br>PCA0 = 1, CARSEL = 1, CAREF = 1,<br>No load at P2.3/CA0/TA1 and P2.4/CA1/TA2  | 2.2 V, 3 V   | 0.23  | 0.24 | 0.25                |      |    |
| V <sub>(Ref050)</sub>             | (Voltage at 0.5 V <sub>CC</sub> node) + V <sub>CC</sub><br>PCA0 = 1, CARSEL = 1, CAREF = 2,<br>No load at P2.3/CA0/TA1 and P2.4/CA1/TA2   | 2.2 V, 3 V   | 0.47  | 0.48 | 0.5                 |      |    |
| V <sub>(RefVT)</sub>              | See Figure 8-35 and Figure 8-36<br>PCA0 = 1, CARSEL = 1, CAREF = 3,<br>No load at P2.3/CA0/TA1 and P2.4/CA1/TA2,<br>T <sub>A</sub> = 85°C | 2.2 V  | 390   | 480  | 540                 | mV   |    |
|                                   |   | 3 V  | 400   | 490  | 550                 |      |    |
| V <sub>(offset)</sub>             | Offset voltage <sup>(3)</sup>   | 2.2 V, 3 V   | –30   |      | 30                  | mV   |    |
| V <sub>hys</sub>                  | Input hysteresis<br>CAON = 1  | 2.2 V, 3 V   | 0     | 0.7  | 1.4                 | mV   |    |
| t <sub>(response)</sub>           | Response time, low to high and high to low <sup>(4)</sup><br>(see Figure 8-32 and Figure 8-33)  | T <sub>A</sub> = 25°C, Overdrive 10 mV,<br>Without filter: CAF = 0 | 2.2 V | 80   | 165                 | 300  | ns |
|                                   |   |  | 3 V   | 70   | 120                 | 240  |    |
|                                   |   | T <sub>A</sub> = 25°C, Overdrive 10 mV,<br>With filter: CAF = 1    | 2.2 V | 1.4  | 1.9                 | 2.8  | μs |
|                                   |   |  | 3 V   | 0.9  | 1.5                 | 2.2  |    |

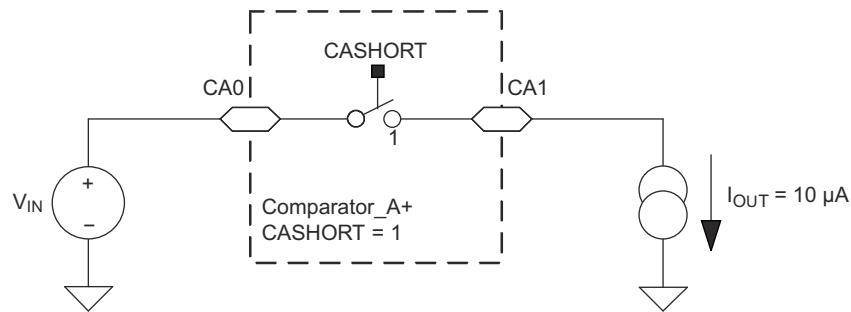
- (1) The leakage current for the Comparator\_A+ terminals is identical to I<sub>lkg(Px,y)</sub> specification.
- (2) Also see Figure 8-34 and Figure 8-37.
- (3) The input offset voltage can be cancelled by using the CAEX bit to invert the Comparator\_A+ inputs on successive measurements. The two successive measurements are then summed together.
- (4) The response time is measured at P2.2/CAOUT/TA0/CA4 with an input voltage step and with Comparator\_A+ already enabled (CAON = 1). If CAON is set at the same time, a settling time of up to 300 ns is added to the response time.



**Figure 8-32. Comparator\_A+ Module Block Diagram**

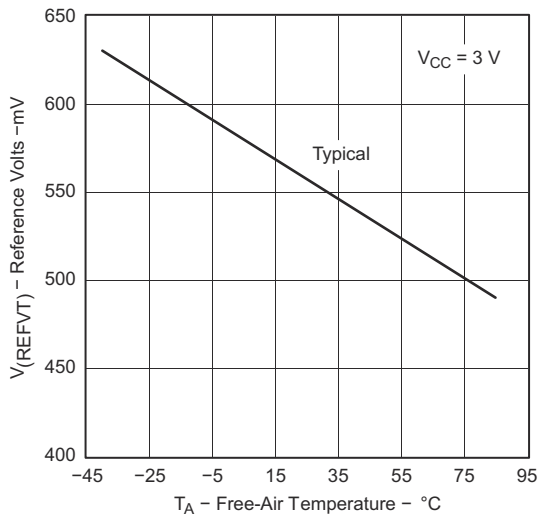


**Figure 8-33. Overdrive Definition**

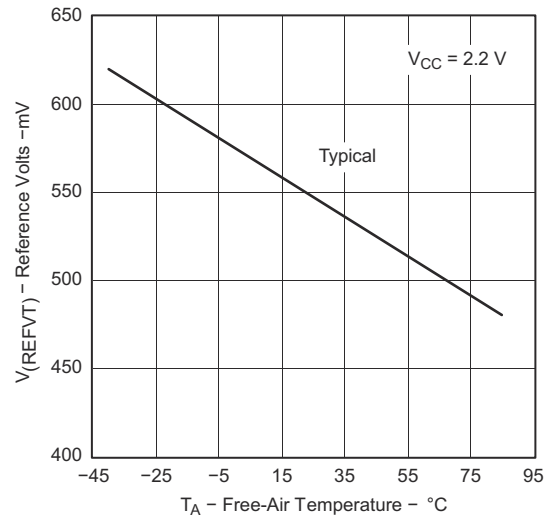


**Figure 8-34. Comparator\_A+ Short Resistance Test Condition**

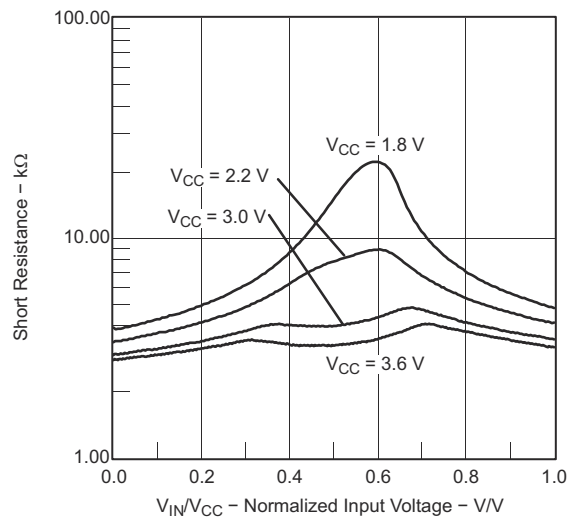
## 8.42 Typical Characteristics – Comparator\_A+



**Figure 8-35.  $V_{(REFVT)}$  vs Temperature  
( $V_{CC} = 3\text{ V}$ )**



**Figure 8-36.  $V_{(REFVT)}$  vs Temperature  
( $V_{CC} = 2.2\text{ V}$ )**



**Figure 8-37. Short Resistance vs  $V_{IN}/V_{CC}$**

### 8.43 12-Bit ADC Power Supply and Input Range Conditions

over recommended operating free-air temperature range (unless otherwise noted) <sup>(1)</sup>

| PARAMETER              |  | TEST CONDITIONS   | V <sub>CC</sub> | MIN | TYP  | MAX               | UNIT |
|------------------------|--|---|-----------------|-----|------|-------------------|------|
| AV <sub>CC</sub>       | Analog supply voltage  | AV <sub>CC</sub> and DV <sub>CC</sub> are connected together, AV <sub>SS</sub> and DV <sub>SS</sub> are connected together, V <sub>(AVSS)</sub> = V <sub>(DVSS)</sub> = 0 V |                 | 2.2 |      | 3.6               | V    |
| V <sub>(P6.x/Ax)</sub> | Analog input voltage range <sup>(2)</sup>                              | All P6.0/A0 to P6.7/A7 terminals, Analog inputs selected in ADC12MCTLx register, P6Sel.x = 1, 0 ≤ x ≤ 7, V <sub>(AVSS)</sub> ≤ V <sub>P6.x/Ax</sub> ≤ V <sub>(AVCC)</sub>   |                 | 0   |      | V <sub>AVCC</sub> | V    |
| I <sub>ADC12</sub>     | Operating supply current into AV <sub>CC</sub> terminal <sup>(3)</sup> | f <sub>ADC12CLK</sub> = 5 MHz, ADC12ON = 1, REFON = 0, SHT0 = 0, SHT1 = 0, ADC12DIV = 0   | 2.2 V           |     | 0.65 | 0.8               | mA   |
|                        |  |   | 3 V             |     | 0.8  | 1                 |      |
| I <sub>REF+</sub>      | Operating supply current into AV <sub>CC</sub> terminal <sup>(4)</sup> | f <sub>ADC12CLK</sub> = 5 MHz, ADC12ON = 0, REFON = 1, REF2_5V = 1  | 3 V             |     | 0.5  | 0.7               | mA   |
|                        |  | f <sub>ADC12CLK</sub> = 5 MHz, ADC12ON = 0, REFON = 1, REF2_5V = 0  | 2.2 V           |     | 0.5  | 0.7               |      |
|                        |  |   | 3 V             |     | 0.5  | 0.7               |      |
| C <sub>I</sub>         | Input capacitance <sup>(5)</sup>                                       | Only one terminal can be selected at one time, P6.x/Ax  | 2.2 V           |     |      | 40                | pF   |
| R <sub>I</sub>         | Input MUX ON resistance <sup>(5)</sup>                                 | 0 V ≤ V <sub>Ax</sub> ≤ V <sub>AVCC</sub>   | 3 V             |     |      | 2000              | Ω    |

- (1) The leakage current is defined in the leakage current table with P6.x/Ax parameter.
- (2) The analog input voltage range must be within the selected reference voltage range V<sub>R+</sub> to V<sub>R-</sub> for valid conversion results.
- (3) The internal reference supply current is not included in current consumption parameter I<sub>ADC12</sub>.
- (4) The internal reference current is supplied via terminal AV<sub>CC</sub>. Consumption is independent of the ADC12ON control bit, unless a conversion is active. The REFON bit enables settling of the built-in reference before starting an A/D conversion.
- (5) Not production tested, limits verified by design.

### 8.44 12-Bit ADC External Reference

over recommended operating free-air temperature range (unless otherwise noted) <sup>(1)</sup>

| PARAMETER  |   | TEST CONDITIONS   | V <sub>CC</sub> | MIN | MAX               | UNIT |
|--|---|---|-----------------|-----|-------------------|------|
| V <sub>eREF+</sub>   | Positive external reference voltage input     | V <sub>eREF+</sub> > V <sub>REF-/V<sub>eREF-</sub></sub> <sup>(2)</sup> |                 | 1.4 | V <sub>AVCC</sub> | V    |
| V <sub>REF-/V<sub>eREF-</sub></sub>  | Negative external reference voltage input     | V <sub>eREF+</sub> > V <sub>REF-/V<sub>eREF-</sub></sub> <sup>(3)</sup> |                 | 0   | 1.2               | V    |
| (V <sub>eREF+</sub> - V <sub>REF-/V<sub>eREF-</sub></sub> ) / V <sub>eREF-</sub> | Differential external reference voltage input | V <sub>eREF+</sub> > V <sub>REF-/V<sub>eREF-</sub></sub> <sup>(4)</sup> |                 | 1.4 | V <sub>AVCC</sub> | V    |
| I <sub>VeREF+</sub>  | Static leakage current                        | 0 V ≤ V <sub>eREF+</sub> ≤ V <sub>AVCC</sub>                            | 2.2 V, 3 V      |     | ±1                | μA   |
| I <sub>VREF-/VeREF-</sub>  | Static leakage current                        | 0 V ≤ V <sub>eREF-</sub> ≤ V <sub>AVCC</sub>                            | 2.2 V, 3 V      |     | ±1                | μA   |

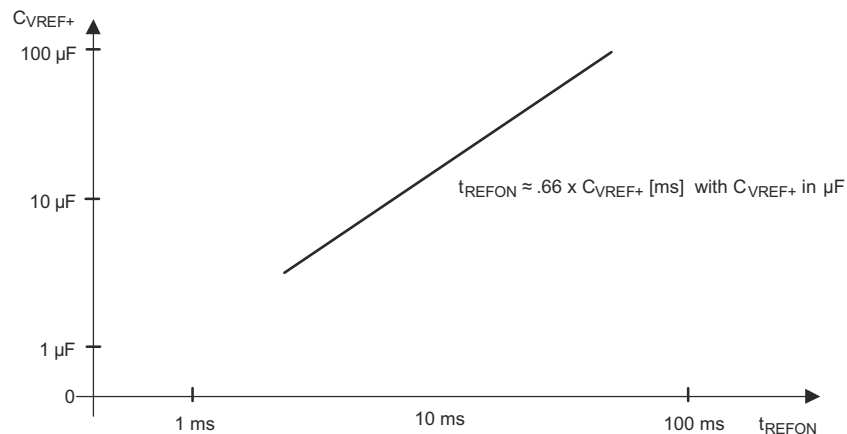
- (1) The external reference is used during conversion to charge and discharge the capacitance array. The input capacitance, C<sub>I</sub>, is also the dynamic load for an external reference during conversion. The dynamic impedance of the reference supply should follow the recommendations on analog-source impedance to allow the charge to settle for 12-bit accuracy.
- (2) The accuracy limits the minimum positive external reference voltage. Lower reference voltage levels may be applied with reduced accuracy requirements.
- (3) The accuracy limits the maximum negative external reference voltage. Higher reference voltage levels may be applied with reduced accuracy requirements.
- (4) The accuracy limits minimum external differential reference voltage. Lower differential reference voltage levels may be applied with reduced accuracy requirements.

## 8.45 12-Bit ADC Built-In Reference

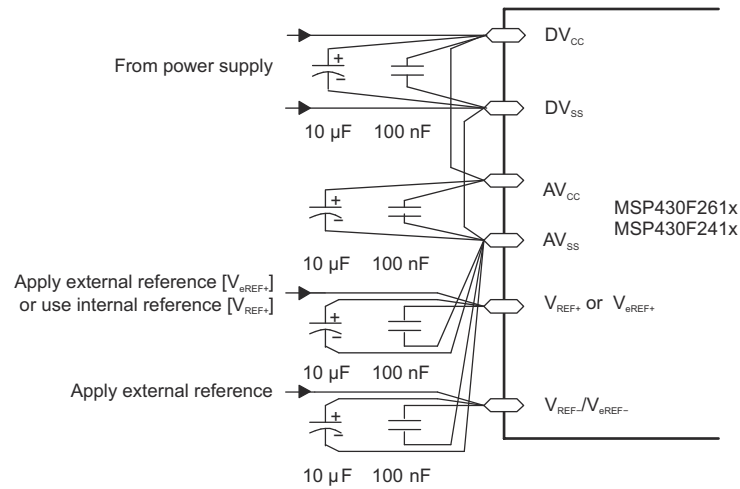
over recommended operating free-air temperature range (unless otherwise noted) (see [Figure 8-39](#) and [Figure 8-40](#))

| PARAMETER              | TEST CONDITIONS  | T <sub>A</sub>   | V <sub>CC</sub> | MIN  | TYP        | MAX  | UNIT |        |
|------------------------|--|--|-----------------|--|------------|------|------|--------|
| V <sub>REF+</sub>      | Positive built-in reference voltage output   | REF2_5V = 1 for 2.5 V,<br>I <sub>VREF+max</sub> ≤ I <sub>VREF+</sub> ≤ I <sub>VREF+min</sub> | 3 V             | –40°C to 85°C  | 2.4        | 2.5  | 2.6  | V      |
|                        |  |  |                 | 105°C  | 2.37       | 2.5  | 2.64 |        |
|                        | REF2_5V = 0 for 1.5 V,<br>I <sub>VREF+max</sub> ≤ I <sub>VREF+</sub> ≤ I <sub>VREF+min</sub> | –40°C to 85°C  | 1.44            | 1.5  | 1.56       |      |      |        |
|                        |  | 105°C  | 1.42            | 1.5  | 1.57       |      |      |        |
| AV <sub>CC(min)</sub>  | AV <sub>CC</sub> minimum voltage, positive built-in reference active                         |  |                 | REF2_5V = 0,<br>I <sub>VREF+max</sub> ≤ I <sub>VREF+</sub> ≤ I <sub>VREF+min</sub>   | 2.2        |      | V    |        |
|                        |  |  |                 | REF2_5V = 1,<br>–0.5 mA ≤ I <sub>VREF+</sub> ≤ I <sub>VREF+min</sub>   | 2.8        |      |      |        |
|                        |  |  |                 | REF2_5V = 1,<br>–1 mA ≤ I <sub>VREF+</sub> ≤ I <sub>VREF+min</sub>   | 2.9        |      |      |        |
| I <sub>VREF+</sub>     | Load current out of V <sub>REF+</sub> terminal   |  |                 | 2.2 V  | 0.01       | –0.5 | mA   |        |
|                        |  |  |                 | 3 V  | 0.01       | –1   |      |        |
| I <sub>L(VREF)+</sub>  | Load-current regulation, V <sub>REF+</sub> terminal (1)                                      |  |                 | I <sub>VREF+</sub> = 500 μA ±100 μA,<br>Analog input voltage ≈ 0.75 V,<br>REF2_5V = 0  | 2.2 V      | ±2   |      | LSB    |
|                        |  |  |                 | I <sub>VREF+</sub> = 500 μA ±100 μA,<br>Analog input voltage ≈ 1.25 V,<br>REF2_5V = 1  | 3 V        | ±2   |      |        |
| I <sub>DL(VREF)+</sub> | Load current regulation, V <sub>REF+</sub> terminal (2)                                      |  |                 | I <sub>VREF+</sub> = 100 μA → 900 μA,<br>C <sub>VREF+</sub> = 5 μF, A <sub>x</sub> ≈ 0.5 × V <sub>REF+</sub> ,<br>Error of conversion result ≤ 1 LSB | 3 V        | 20   |      | ns     |
| C <sub>VREF+</sub>     | Capacitance at pin V <sub>REF+</sub> (3)   |  |                 | REFON = 1,<br>0 mA ≤ I <sub>VREF+</sub> ≤ I <sub>VREF+max</sub>  | 2.2 V, 3 V | 5    | 10   | μF     |
| T <sub>REF+</sub>      | Temperature coefficient of built-in reference (2)  |  |                 | I <sub>VREF+</sub> is a constant in the range of<br>0 mA ≤ I <sub>VREF+</sub> ≤ 1 mA   | 2.2 V, 3 V | ±100 |      | ppm/°C |
| t <sub>REFON</sub>     | Settling time of internal reference voltage (see <a href="#">Figure 8-38</a> )(2) (4)        |  |                 | I <sub>VREF+</sub> = 0.5 mA, C <sub>VREF+</sub> = 10 μF,<br>V <sub>REF+</sub> = 1.5 V, V <sub>AVCC</sub> = 2.2 V                                     | 2.2 V      | 17   |      | ms     |

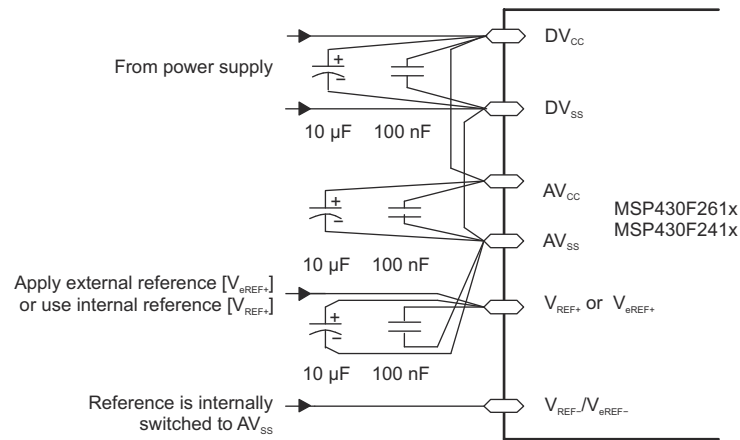
- (1) Not production tested, limits characterized
- (2) Not production tested, limits verified by design
- (3) The internal buffer operational amplifier and the accuracy specifications require an external capacitor. All INL and DNL tests use two capacitors between pins V<sub>REF+</sub> and AV<sub>SS</sub> and between V<sub>REF-</sub>/V<sub>eREF-</sub> and AV<sub>SS</sub>: 10-μF tantalum and 100-nF ceramic.
- (4) The condition is that the error in a conversion started after t<sub>REFON</sub> is less than ±0.5 LSB. The settling time depends on the external capacitive load.



**Figure 8-38. Typical Settling Time of Internal Reference t<sub>REFON</sub> vs External Capacitor on V<sub>REF+</sub>**



**Figure 8-39. Supply Voltage and Reference Voltage Design V<sub>REF</sub>/V<sub>REF</sub>- External Supply**



**Figure 8-40. Supply Voltage and Reference Voltage Design V<sub>REF</sub>/V<sub>REF</sub>- = AV<sub>SS</sub>, Internally Connected**

## 8.46 12-Bit ADC Timing Parameters

over recommended operating free-air temperature range (unless otherwise noted)

| PARAMETER             |                                      | TEST CONDITIONS   | V <sub>CC</sub> | MIN          | TYP                              | MAX  | UNIT |
|-----------------------|--------------------------------------|---|-----------------|--------------|----------------------------------|------|------|
| f <sub>ADC12CLK</sub> |                                      | For specified performance of ADC12 linearity parameters   | 2.2 V, 3 V      | 0.45         | 5                                | 7    | MHz  |
| f <sub>ADC12OSC</sub> | Internal ADC12 oscillator            | ADC12DIV = 0,<br>f <sub>ADC12CLK</sub> = f <sub>ADC12OSC</sub>  | 2.2 V, 3 V      | 3.7          | 5                                | 7    | MHz  |
| t <sub>CONVERT</sub>  | Conversion time                      | C <sub>VREF+</sub> ≥ 5 μF, Internal oscillator,<br>f <sub>ADC12OSC</sub> = 3.7 MHz to 7 MHz<br>External f <sub>ADC12CLK</sub> from ACLK, MCLK,<br>or SMCLK, ADC12SSEL ≠ 0 | 2.2 V, 3 V      | 1.86         |                                  | 3.51 | μs   |
|                       |                                      |   |                 |              | 13 × 1/<br>f <sub>ADC12CLK</sub> |      |      |
| t <sub>ADC12ON</sub>  | Turn-on settling time of the ADC (1) | See (2)   |                 |              |                                  | 100  | ns   |
| t <sub>Sample</sub>   | Sampling time (1)                    | R <sub>S</sub> = 400 Ω, R <sub>I</sub> = 1000 Ω, C <sub>I</sub> = 30 pF,<br>τ = [R <sub>S</sub> + R <sub>I</sub> ] × C <sub>I</sub> (3)                                   | 3 V<br>2.2 V    | 1220<br>1400 |                                  |      | ns   |

- (1) Limits verified by design
- (2) The condition is that the error in a conversion started after t<sub>ADC12ON</sub> is less than ±0.5 LSB. The reference and input signal are already settled.
- (3) Approximately 10 Tau (τ) are needed to get an error of less than ±0.5 LSB:  
t<sub>Sample</sub> = ln(2<sup>n+1</sup>) × (R<sub>S</sub> + R<sub>I</sub>) × C<sub>I</sub> + 800 ns, where n = ADC resolution = 12, R<sub>S</sub> = external source resistance

## 8.47 12-Bit ADC Linearity Parameters

over recommended operating free-air temperature range (unless otherwise noted)

| PARAMETER      |                              | TEST CONDITIONS  | V <sub>CC</sub> | MIN | TYP  | MAX        | UNIT |
|----------------|------------------------------|--|-----------------|-----|------|------------|------|
| E <sub>I</sub> | Integral linearity error     | 1.4 V ≤ (V <sub>eREF+</sub> - V <sub>REF</sub> /V <sub>eREF-</sub> ) min ≤ 1.6 V<br>1.6 V < (V <sub>eREF+</sub> - V <sub>REF</sub> /V <sub>eREF-</sub> ) min ≤ V <sub>AVCC</sub>   | 2.2 V, 3 V      |     |      | ±2<br>±1.7 | LSB  |
| E <sub>D</sub> | Differential linearity error | (V <sub>eREF+</sub> - V <sub>REF</sub> /V <sub>eREF-</sub> ) min ≤ (V <sub>eREF+</sub> - V <sub>REF</sub> /V <sub>eREF-</sub> ),<br>C <sub>VREF+</sub> = 10 μF (tantalum) and 100 nF (ceramic)   | 2.2 V, 3 V      |     |      | ±1         | LSB  |
| E <sub>O</sub> | Offset error                 | (V <sub>eREF+</sub> - V <sub>REF</sub> /V <sub>eREF-</sub> ) min ≤ (V <sub>eREF+</sub> - V <sub>REF</sub> /V <sub>eREF-</sub> ),<br>Internal impedance of source R <sub>S</sub> < 100 Ω,<br>C <sub>VREF+</sub> = 10 μF (tantalum) and 100 nF (ceramic) | 2.2 V, 3 V      |     | ±2   | ±4         | LSB  |
| E <sub>G</sub> | Gain error                   | (V <sub>eREF+</sub> - V <sub>REF</sub> /V <sub>eREF-</sub> ) min ≤ (V <sub>eREF+</sub> - V <sub>REF</sub> /V <sub>eREF-</sub> ),<br>C <sub>VREF+</sub> = 10 μF (tantalum) and 100 nF (ceramic)   | 2.2 V, 3 V      |     | ±1.1 | ±2         | LSB  |
| E <sub>T</sub> | Total unadjusted error       | (V <sub>eREF+</sub> - V <sub>REF</sub> /V <sub>eREF-</sub> ) min ≤ (V <sub>eREF+</sub> - V <sub>REF</sub> /V <sub>eREF-</sub> ),<br>C <sub>VREF+</sub> = 10 μF (tantalum) and 100 nF (ceramic)   | 2.2 V, 3 V      |     | ±2   | ±5         | LSB  |



## 8.48 12-Bit ADC Temperature Sensor and Built-In $V_{MID}$

over recommended operating free-air temperature range (unless otherwise noted)

| PARAMETER            |  | TEST CONDITIONS   | $V_{CC}$ | MIN | TYP  | MAX                | UNIT           |
|----------------------|--|---|----------|-----|------|--------------------|----------------|
| $I_{SENSOR}$         | Operating supply current into $AV_{CC}$ terminal <sup>(2)</sup>              | REFON = 0, INCH = 0Ah,<br>ADC12ON = 1, $T_A = 25^\circ C$           | 2.2 V    |     | 40   | 120                | $\mu A$        |
|                      |  |   | 3 V      |     | 60   | 160                |                |
| $V_{SENSOR}$         | Temperature sensor voltage <sup>(3)</sup><br><sup>(1)</sup>                  | ADC12ON = 1, INCH = 0Ah, $T_A = 0^\circ C$                          | 2.2 V    |     | 986  |                    | mV             |
|                      |  |   | 3 V      |     | 986  |                    |                |
| $TC_{SENSOR}$        | Temperature coefficient <sup>(1)</sup>                                       | ADC12ON = 1, INCH = 0Ah   | 2.2 V    |     | 3.55 |                    | mV/ $^\circ C$ |
|                      |  |   | 3 V      |     | 3.55 |                    |                |
| $t_{SENSOR(sample)}$ | Sample time required if channel 10 is selected <sup>(4)</sup> <sup>(1)</sup> | ADC12ON = 1, INCH = 0Ah,<br>Error of conversion result $\leq 1$ LSB | 2.2 V    |     | 30   |                    | $\mu s$        |
|                      |  |   | 3 V      |     | 30   |                    |                |
| $I_{VMID}$           | Current into divider at channel 11 <sup>(5)</sup>                            | ADC12ON = 1, INCH = 0Bh   | 2.2 V    |     |      | N/A <sup>(5)</sup> | $\mu A$        |
|                      |  |   | 3 V      |     |      | N/A <sup>(5)</sup> |                |
| $V_{MID}$            | $AV_{CC}$ divider at channel 11  | ADC12ON = 1, INCH = 0Bh,<br>$V_{MID} \approx 0.5 \times V_{AVCC}$   | 2.2 V    |     | 1.1  | 1.1 $\pm 0.04$     | V              |
|                      |  |   | 3 V      |     | 1.5  | 1.5 $\pm 0.04$     |                |
| $t_{VMID(sample)}$   | Sample time required if channel 11 is selected <sup>(6)</sup>                | ADC12ON = 1, INCH = 0Bh,<br>Error of conversion result $\leq 1$ LSB | 2.2 V    |     | 1400 |                    | ns             |
|                      |  |   | 3 V      |     | 1220 |                    |                |

- (1) Limits characterized
- (2) The sensor current  $I_{SENSOR}$  is consumed if (ADC12ON = 1 and REFON = 1), or (ADC12ON = 1 AND INCH = 0Ah and sample signal is high). Therefore it includes the constant current through the sensor and the reference.
- (3) The temperature sensor offset can be as much as  $\pm 20^\circ C$ . TI recommends a single-point calibration to minimize the offset error of the built-in temperature sensor.
- (4) The typical equivalent impedance of the sensor is 51 k $\Omega$ . The sample time required includes the sensor-on time  $t_{SENSOR(on)}$
- (5) No additional current is needed. The  $V_{MID}$  is used during sampling.
- (6) The on-time  $t_{VMID(on)}$  is included in the sampling time  $t_{VMID(sample)}$ , no additional on time is needed.

## 8.49 12-Bit DAC Supply Specifications

over recommended ranges of supply voltage and operating free-air temperature (unless otherwise noted)

| PARAMETER   |  | TEST CONDITIONS   | $V_{CC}$   | $T_A$                           | MIN  | TYP | MAX | UNIT    |
|---|--|---|------------|---------------------------------|------|-----|-----|---------|
| $AV_{CC}$   | Analog supply voltage  | $AV_{CC} = DV_{CC}$ , $AV_{SS} = DV_{SS} = 0$ V   |            |                                 | 2.2  |     | 3.6 | V       |
| $I_{DD}$  | Supply current, single DAC channel <sup>(1)</sup> <sup>(2)</sup> | DAC12AMPx = 2, DAC12IR = 0,<br>DAC12_xDAT = 0x0800                                      | 2.2 V, 3 V | -40 $^\circ C$ to 85 $^\circ C$ |      | 50  | 110 | $\mu A$ |
|   |  |   |            | 105 $^\circ C$                  |      | 69  | 150 |         |
|   |  | DAC12AMPx = 2, DAC12IR = 1,<br>DAC12_xDAT = 0x0800,<br>$V_{eREF+} = V_{REF+} = AV_{CC}$ | 2.2 V, 3 V |                                 |      | 50  | 130 |         |
|   |  |   |            |                                 |      | 200 | 440 |         |
| DAC12AMPx = 5, DAC12IR = 1,<br>DAC12_xDAT = 0x0800,<br>$V_{eREF+} = V_{REF+} = AV_{CC}$ | 2.2 V, 3 V   |   |            |                                 |      |     |     |         |
|   |  |   |            | 700                             | 1500 |     |     |         |
| PSRR  | Power-supply rejection ratio <sup>(3)</sup> <sup>(4)</sup>       | DAC12_xDAT = 800h, $V_{REF} = 1.5$ V,<br>$\Delta AV_{CC} = 100$ mV                      | 2.2 V      |                                 |      | 70  |     | dB      |
|   |  |   | 3 V        |                                 |      | 70  |     |         |

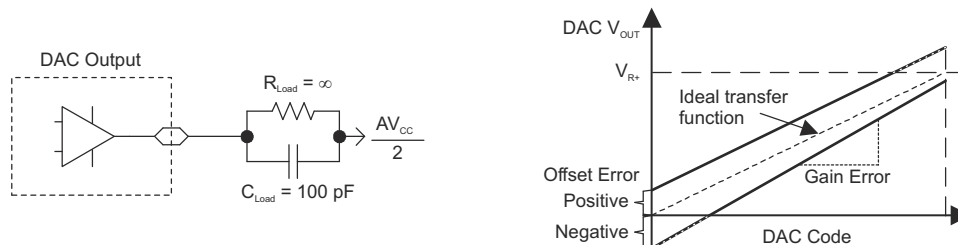
- (1) No load at the output pin, DAC12\_0 or DAC12\_1, assuming that the control bits for the shared pins are set properly.
- (2) Current into reference terminals not included. If DAC12IR = 1 current flows through the input divider; see Reference Input specifications.
- (3)  $PSRR = 20 \times \log(\Delta AV_{CC} / \Delta V_{DAC12_xOUT})$
- (4)  $V_{REF}$  is applied externally. The internal reference is not used.

## 8.50 12-Bit DAC Linearity Specifications

over recommended ranges of supply voltage and operating free-air temperature (unless otherwise noted) (see [Figure 8-41](#))

| PARAMETER                         |   | TEST CONDITIONS   | V <sub>CC</sub> | MIN  | TYP | MAX   | UNIT          |
|-----------------------------------|---|---|-----------------|------|-----|-------|---------------|
| Resolution                        |   | 12-bit monotonic  |                 | 12   |     |       | bits          |
| INL                               | Integral nonlinearity <sup>(1)</sup> (see <a href="#">Figure 8-42</a> )     | V <sub>REF</sub> = 1.5 V,<br>DAC12AMP <sub>x</sub> = 7, DAC12IR = 1 | 2.2 V           | ±2.0 |     | ±8.0  | LSB           |
|                                   |   | V <sub>REF</sub> = 2.5 V,<br>DAC12AMP <sub>x</sub> = 7, DAC12IR = 1 | 3 V             | ±2.0 |     | ±8.0  |               |
| DNL                               | Differential nonlinearity <sup>(1)</sup> (see <a href="#">Figure 8-43</a> ) | V <sub>REF</sub> = 1.5 V,<br>DAC12AMP <sub>x</sub> = 7, DAC12IR = 1 | 2.2 V           | ±0.4 |     | ±1.0  | LSB           |
|                                   |   | V <sub>REF</sub> = 2.5 V,<br>DAC12AMP <sub>x</sub> = 7, DAC12IR = 1 | 3 V             | ±0.4 |     | ±1.0  |               |
| E <sub>O</sub>                    | Offset voltage without calibration <sup>(1) (2)</sup>                       | V <sub>REF</sub> = 1.5 V,<br>DAC12AMP <sub>x</sub> = 7, DAC12IR = 1 | 2.2 V           |      |     | ±21   | mV            |
|                                   |   | V <sub>REF</sub> = 2.5 V,<br>DAC12AMP <sub>x</sub> = 7, DAC12IR = 1 | 3 V             |      |     | ±21   |               |
|                                   | Offset voltage with calibration <sup>(1) (2)</sup>                          | V <sub>REF</sub> = 1.5 V,<br>DAC12AMP <sub>x</sub> = 7, DAC12IR = 1 | 2.2 V           |      |     | ±2.5  |               |
|                                   |   | V <sub>REF</sub> = 2.5 V,<br>DAC12AMP <sub>x</sub> = 7, DAC12IR = 1 | 3 V             |      |     | ±2.5  |               |
| d <sub>E(O)</sub> /d <sub>T</sub> | Offset error temperature coefficient <sup>(1)</sup>                         |   | 2.2 V, 3 V      |      | 30  |       | µV/°C         |
| E <sub>G</sub>                    | Gain error <sup>(1)</sup>   | V <sub>REF</sub> = 1.5 V  | 2.2 V           |      |     | ±3.50 | % FSR         |
|                                   |   | V <sub>REF</sub> = 2.5 V  | 3 V             |      |     | ±3.50 |               |
| d <sub>E(G)</sub> /d <sub>T</sub> | Gain temperature coefficient <sup>(1)</sup>                                 |   | 2.2 V, 3 V      |      | 10  |       | ppm of FSR/°C |
| t <sub>Offset_Cal</sub>           | Time for offset calibration <sup>(3)</sup>                                  | DAC12AMP <sub>x</sub> = 2   | 2.2 V, 3 V      |      |     | 100   | ms            |
|                                   |   | DAC12AMP <sub>x</sub> = 3, 5  |                 |      |     | 32    |               |
|                                   |   | DAC12AMP <sub>x</sub> = 4, 6, 7                                     |                 |      |     | 6     |               |

- (1) Parameters calculated from the best-fit curve from 0x0A to 0xFFF. The best-fit curve method is used to deliver coefficients "a" and "b" of the first-order equation:  $y = a + b \times x$ .  $V_{DAC12\_xOUT} = E_O + (1 + E_G) \times (V_{eREF+} / 4095) \times DAC12\_xDAT$ , DAC12IR = 1.
- (2) The offset calibration works on the output operational amplifier. Offset calibration is triggered setting bit DAC12CALON.
- (3) The offset calibration can be done if DAC12AMP<sub>x</sub> = {2, 3, 4, 5, 6, 7}. The output operational amplifier is switched off with DAC12AMP<sub>x</sub> = {0, 1}. The DAC12 module should be configured before initiating calibration. Port activity during calibration may affect accuracy and is not recommended.



**Figure 8-41. Linearity Test Load Conditions, Gain and Offset Definition**

## 8.51 Typical Characteristics, 12-Bit DAC Linearity Specifications

over recommended ranges of supply voltage and operating free-air temperature (unless otherwise noted)

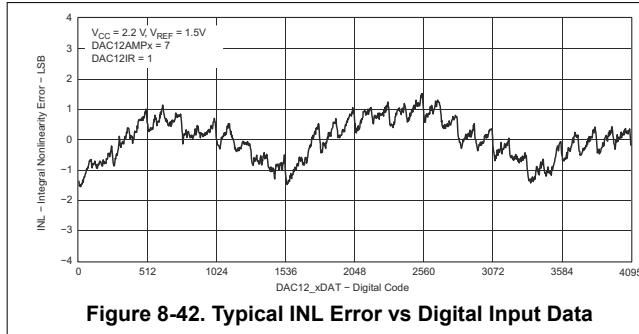


Figure 8-42. Typical INL Error vs Digital Input Data

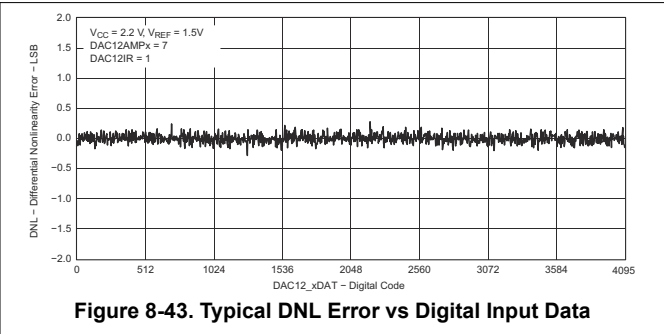


Figure 8-43. Typical DNL Error vs Digital Input Data

## 8.52 12-Bit DAC Output Specifications

over recommended ranges of supply voltage and operating free-air temperature (unless otherwise noted)

| PARAMETER               | TEST CONDITIONS  | V <sub>CC</sub> | MIN                     | TYP | MAX              | UNIT |
|-------------------------|--|-----------------|-------------------------|-----|------------------|------|
| V <sub>O</sub>          | No Load, V <sub>eREF+</sub> = AV <sub>CC</sub> ,<br>DAC12_xDAT = 0h, DAC12IR = 1,<br>DAC12AMPx = 7                     | 2.2 V, 3 V      | 0                       |     | 0.005            | V    |
|                         | No Load, V <sub>eREF+</sub> = AV <sub>CC</sub> ,<br>DAC12_xDAT = 0FFFh, DAC12IR = 1,<br>DAC12AMPx = 7                  |                 | AV <sub>CC</sub> - 0.05 |     | AV <sub>CC</sub> |      |
|                         | R <sub>Load</sub> = 3 kΩ, V <sub>eREF+</sub> = AV <sub>CC</sub> ,<br>DAC12_xDAT = 0h, DAC12IR = 1,<br>DAC12AMPx = 7    |                 | 0                       |     | 0.1              |      |
|                         | R <sub>Load</sub> = 3 kΩ, V <sub>eREF+</sub> = AV <sub>CC</sub> ,<br>DAC12_xDAT = 0FFFh, DAC12IR = 1,<br>DAC12AMPx = 7 |                 | AV <sub>CC</sub> - 0.13 |     | AV <sub>CC</sub> |      |
| C <sub>L(DAC12)</sub>   | Maximum DAC12 load capacitance   | 2.2 V, 3 V      |                         |     | 100              | pF   |
| I <sub>L(DAC12)</sub>   | Maximum DAC12 load current   | 2.2 V           | -0.5                    |     | 0.5              | mA   |
|                         |  | 3 V             | -1                      |     | 1                |      |
| R <sub>O/P(DAC12)</sub> | R <sub>Load</sub> = 3 kΩ, V <sub>O/P(DAC12)</sub> = 0 V,<br>DAC12AMPx = 7, DAC12_xDAT = 0h                             | 2.2 V, 3 V      |                         | 150 | 250              | Ω    |
|                         | R <sub>Load</sub> = 3 kΩ, V <sub>O/P(DAC12)</sub> = AV <sub>CC</sub> ,<br>DAC12AMPx = 7,<br>DAC12_xDAT = 0FFFh         |                 |                         | 150 | 250              |      |
|                         | R <sub>Load</sub> = 3 kΩ,<br>0.3 V < V <sub>O/P(DAC12)</sub> < AV <sub>CC</sub> - 0.3 V,<br>DAC12AMPx = 7              |                 |                         | 1   | 4                |      |

(1) Data is valid after the offset calibration of the output amplifier.

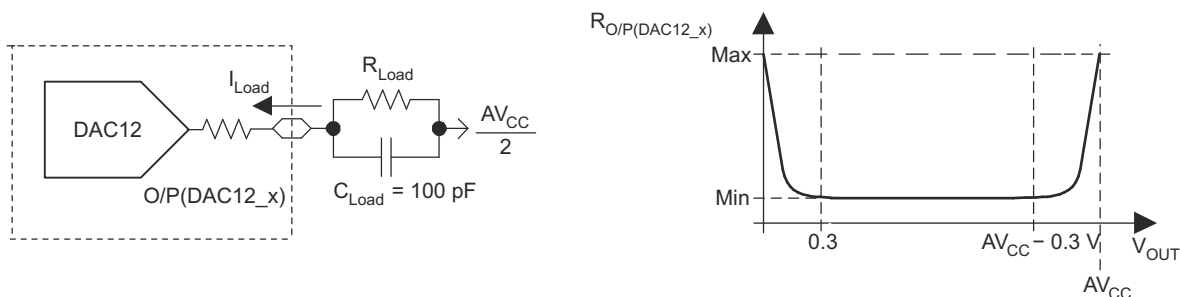


Figure 8-44. DAC12\_x Output Resistance Tests

## 8.53 12-Bit DAC Reference Input Specifications

over recommended ranges of supply voltage and operating free-air temperature (unless otherwise noted)

| PARAMETER   |                               | TEST CONDITIONS  | V <sub>CC</sub> | MIN                  | TYP                    | MAX | UNIT |
|---|-------------------------------|--|-----------------|----------------------|------------------------|-----|------|
| V <sub>eREF+</sub>                                | Reference input voltage range | DAC12IR = 0 <sup>(1)</sup> (2)   | 2.2 V, 3 V      | AV <sub>CC</sub> / 3 | AV <sub>CC</sub> + 0.2 |     | V    |
|   |                               | DAC12IR = 1 <sup>(3)</sup> (4)   |                 | AV <sub>CC</sub>     | AV <sub>CC</sub> + 0.2 |     |      |
| R <sub>i(VREF+)</sub> ,<br>R <sub>i(VeREF+)</sub> | Reference input resistance    | DAC12_0 IR = DAC12_1 IR = 0  | 2.2 V, 3 V      | 20                   |                        |     | MΩ   |
|   |                               | DAC12_0 IR = 1, DAC12_1 IR = 0   |                 | 40                   | 48                     | 56  | kΩ   |
|   |                               | DAC12_0 IR = 0, DAC12_1 IR = 1   |                 |                      |                        |     |      |
|   |                               | DAC12_0 IR = DAC12_1 IR = 1,<br>DAC12_0 SREFx = DAC12_1 SREFx <sup>(5)</sup> |                 | 20                   | 24                     | 28  |      |

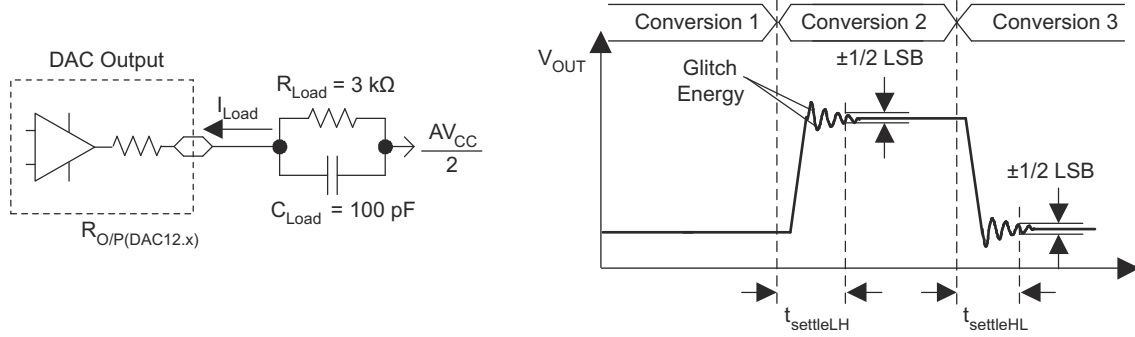
- (1) For a full-scale output, the reference input voltage can be as high as 1/3 of the maximum output voltage swing (AV<sub>CC</sub>).
- (2) The maximum voltage applied at reference input voltage terminal V<sub>eREF+</sub> = [AV<sub>CC</sub> - VE(O)] / [3 × (1 + E<sub>G</sub>)].
- (3) For a full-scale output, the reference input voltage can be as high as the maximum output voltage swing (AV<sub>CC</sub>).
- (4) The maximum voltage applied at reference input voltage terminal V<sub>eREF+</sub> = [AV<sub>CC</sub> - VE(O)] / (1 + E<sub>G</sub>).
- (5) When DAC12IR = 1 and DAC12SREFx = 0 or 1 for both channels, the reference input resistive dividers for each DAC are in parallel reducing the reference input resistance.

## 8.54 12-Bit DAC Dynamic Specifications

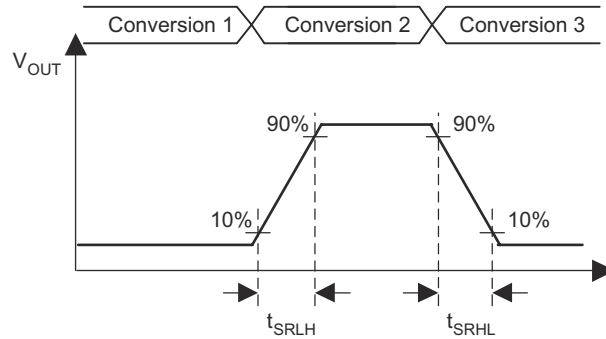
V<sub>REF</sub> = V<sub>CC</sub>, DAC12IR = 1, over recommended ranges of supply voltage and operating free-air temperature (unless otherwise noted)

| PARAMETER           |   | TEST CONDITIONS   | V <sub>CC</sub> | MIN                       | TYP  | MAX  | UNIT |
|---------------------|---|---|-----------------|---------------------------|------|------|------|
| t <sub>ON</sub>     | DAC12 on-time   | DAC12_xDAT = 800h,<br>Error <sub>V(O)</sub> < ±0.5 LSB <sup>(1)</sup> (see<br>Figure 8-45)  | 2.2 V, 3 V      |                           | 60   | 120  | μs   |
|                     |   |   |                 | DAC12AMPx = 0 → {2, 3, 4} | 15   | 30   |      |
|                     |   |   |                 | DAC12AMPx = 0 → {5, 6}    | 6    | 12   |      |
| t <sub>S(FS)</sub>  | Settling time,<br>full scale  | DAC12_xDAT =<br>80h → F7Fh → 80h  | 2.2 V, 3 V      |                           | 100  | 200  | μs   |
|                     |   |   |                 | DAC12AMPx = 2             | 40   | 80   |      |
|                     |   |   |                 | DAC12AMPx = 3, 5          | 15   | 30   |      |
| t <sub>S(C-C)</sub> | Settling time, code<br>to code  | DAC12_xDAT =<br>3F8h → 408h → 3F8h<br>BF8h → C08h → BF8h  | 2.2 V, 3 V      |                           | 5    |      | μs   |
|                     |   |   |                 | DAC12AMPx = 2             | 2    |      |      |
|                     |   |   |                 | DAC12AMPx = 3, 5          | 1    |      |      |
| SR                  | Slew rate <sup>(2)</sup> (see<br>Figure 8-46)   | DAC12_xDAT =<br>80h → F7Fh → 80h  | 2.2 V, 3 V      |                           | 0.05 | 0.12 | V/μs |
|                     |   |   |                 | DAC12AMPx = 2             | 0.35 | 0.7  |      |
|                     |   |   |                 | DAC12AMPx = 3, 5          | 1.5  | 2.7  |      |
|                     | Glitch energy, full<br>scale  | DAC12_xDAT =<br>80h → F7Fh → 80h  | 2.2 V, 3 V      |                           | 600  |      | nV-s |
|                     |   |   |                 | DAC12AMPx = 2             | 150  |      |      |
|                     |   |   |                 | DAC12AMPx = 3, 5          | 30   |      |      |
| BW <sub>-3dB</sub>  | 3-dB bandwidth,<br>V <sub>DC</sub> = 1.5 V, V <sub>AC</sub><br>= 0.1 V <sub>PP</sub> (see<br>Figure 8-47) | DAC12AMPx = {2, 3, 4}, DAC12SREFx = 2, DAC12IR = 1,<br>DAC12_xDAT = 800h  | 2.2 V, 3 V      | 40                        |      |      | kHz  |
|                     |   | DAC12AMPx = {5, 6}, DAC12SREFx = 2, DAC12IR = 1,<br>DAC12_xDAT = 800h   |                 | 180                       |      |      |      |
|                     |   | DAC12AMPx = 7, DAC12SREFx = 2, DAC12IR = 1,<br>DAC12_xDAT = 800h  |                 | 550                       |      |      |      |
|                     | Channel-to-<br>channel<br>crosstalk <sup>(1)</sup> (see<br>Figure 8-48)                                   | DAC12_0DAT = 800h, No load,<br>DAC12_1DAT = 80h ↔ F7Fh, R <sub>Load</sub> = 3 kΩ,<br>f <sub>DAC12_1OUT</sub> = 10 kHz, Duty cycle = 50% | 2.2 V, 3 V      |                           | -80  |      | dB   |
|                     |   | DAC12_0DAT = 80h ↔ F7Fh, R <sub>Load</sub> = 3 kΩ,<br>DAC12_1DAT = 800h, No load, f <sub>DAC12_0OUT</sub> = 10 kHz,<br>Duty cycle = 50% |                 |                           | -80  |      |      |

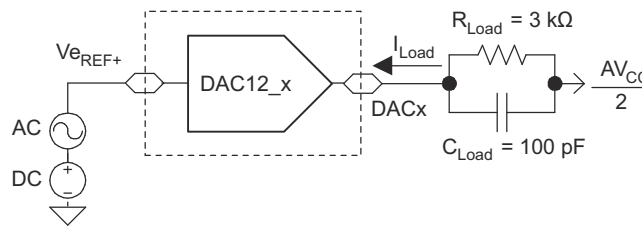
- (1) R<sub>Load</sub> and C<sub>Load</sub> are connected to AV<sub>SS</sub> (not AV<sub>CC</sub>/2) in Figure 8-45.
- (2) Slew rate applies to output voltage steps ≥ 200 mV.



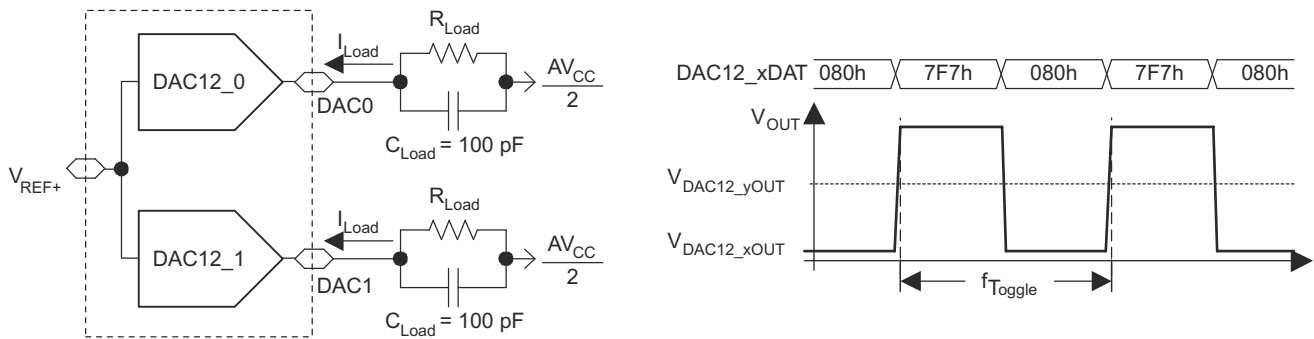
**Figure 8-45. Settling Time and Glitch Energy Testing**



**Figure 8-46. Slew Rate Testing**



**Figure 8-47. Test Conditions for 3-dB Bandwidth Specification**



**Figure 8-48. Crosstalk Test Conditions**

## 8.55 Flash Memory

over recommended ranges of supply voltage and operating free-air temperature (unless otherwise noted)

| PARAMETER                  |   | TEST CONDITIONS       | V <sub>CC</sub> | MIN             | TYP             | MAX | UNIT             |
|----------------------------|---|-----------------------|-----------------|-----------------|-----------------|-----|------------------|
| V <sub>CC(PGM/ERASE)</sub> | Program and erase supply voltage                    |                       |                 | 2.2             |                 | 3.6 | V                |
| f <sub>FTG</sub>           | Flash timing generator frequency                    |                       |                 | 257             |                 | 476 | kHz              |
| I <sub>PGM</sub>           | Supply current from V <sub>CC</sub> during program  |                       | 2.2 V/3.6 V     |                 | 1               | 5   | mA               |
| I <sub>ERASE</sub>         | Supply current from V <sub>CC</sub> during erase    |                       | 2.2 V/3.6 V     |                 | 1               | 7   | mA               |
| t <sub>CPT</sub>           | Cumulative program time <sup>(1)</sup>              |                       | 2.2 V/3.6 V     |                 |                 | 10  | ms               |
| t <sub>CMErase</sub>       | Cumulative mass erase time                          |                       | 2.2 V/3.6 V     | 20              |                 |     | ms               |
|                            | Program and erase endurance                         |                       |                 | 10 <sup>4</sup> | 10 <sup>5</sup> |     | cycles           |
| t <sub>Retention</sub>     | Data retention duration                             | T <sub>J</sub> = 25°C |                 | 100             |                 |     | years            |
| t <sub>Word</sub>          | Word or byte program time                           | <sup>(2)</sup>        |                 |                 | 30              |     | t <sub>FTG</sub> |
| t <sub>Block, 0</sub>      | Block program time for first byte or word           | <sup>(2)</sup>        |                 |                 | 25              |     | t <sub>FTG</sub> |
| t <sub>Block, 1-63</sub>   | Block program time for each additional byte or word | <sup>(2)</sup>        |                 |                 | 18              |     | t <sub>FTG</sub> |
| t <sub>Block, End</sub>    | Block program end-sequence wait time                | <sup>(2)</sup>        |                 |                 | 6               |     | t <sub>FTG</sub> |
| t <sub>Mass Erase</sub>    | Mass erase time                                     | <sup>(2)</sup>        |                 |                 | 10593           |     | t <sub>FTG</sub> |
| t <sub>Seg Erase</sub>     | Segment erase time                                  | <sup>(2)</sup>        |                 |                 | 4819            |     | t <sub>FTG</sub> |

- (1) The cumulative program time must not be exceeded when writing to a 64-byte flash block. This parameter applies to all programming methods: individual word/byte write and block write modes.  
(2) These values are hardwired into the state machine of the flash controller (t<sub>FTG</sub> = 1/f<sub>FTG</sub>).

## 8.56 RAM

over recommended ranges of supply voltage and operating free-air temperature (unless otherwise noted)

| PARAMETER           |   | TEST CONDITIONS | MIN | MAX | UNIT |
|---------------------|---|-----------------|-----|-----|------|
| V <sub>(RAMh)</sub> | RAM retention supply voltage <sup>(1)</sup> | CPU halted      | 1.6 |     | V    |

- (1) This parameter defines the minimum supply voltage V<sub>CC</sub> when the data in RAM remains unchanged. No program execution should happen during this supply voltage condition.

## 8.57 JTAG Interface

over recommended ranges of supply voltage and operating free-air temperature (unless otherwise noted)

| PARAMETER             |   | V <sub>CC</sub> | MIN | TYP | MAX | UNIT |
|-----------------------|---|-----------------|-----|-----|-----|------|
| f <sub>TCK</sub>      | TCK input frequency <sup>(1)</sup>                                  | 2.2 V           | 0   |     | 5   | MHz  |
|                       |   | 3 V             | 0   |     | 10  |      |
| R <sub>Internal</sub> | Internal pullup resistance on TMS, TCK, and TDI/TCLK <sup>(2)</sup> | 2.2 V, 3 V      | 25  | 60  | 90  | kΩ   |

- (1) f<sub>TCK</sub> may be restricted to meet the timing requirements of the module selected.  
(2) TMS, TCK, and TDI/TCLK pullup resistors are implemented in all versions.

## 8.58 JTAG Fuse

over recommended ranges of supply voltage and operating free-air temperature (unless otherwise noted)<sup>(1)</sup>

| PARAMETER           |   | T <sub>A</sub> | MIN | MAX | UNIT |
|---------------------|---|----------------|-----|-----|------|
| V <sub>CC(FB)</sub> | Supply voltage during fuse-blow condition | 25°C           | 2.5 |     | V    |
| V <sub>FB</sub>     | Voltage level on TEST for fuse blow       |                | 6   | 7   | V    |
| I <sub>FB</sub>     | Supply current into TEST during fuse blow |                |     | 100 | mA   |
| t <sub>FB</sub>     | Time to blow fuse                         |                |     | 1   | ms   |

- (1) When the fuse is blown, no further access to the JTAG/Test and emulation feature is possible, and JTAG is switched to bypass mode.

## 9 Detailed Description

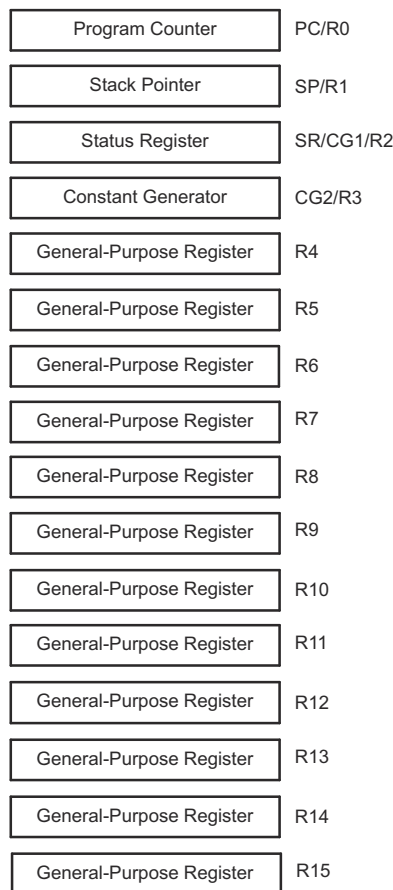
### 9.1 CPU

The MSP430 CPU has a 16-bit RISC architecture that is highly transparent to the application. All operations, other than program-flow instructions, are performed as register operations in conjunction with seven addressing modes for source operand and four addressing modes for destination operand.

The CPU is integrated with 16 registers that provide reduced instruction execution time. The register-to-register operation execution time is one cycle of the CPU clock.

Four of the registers, R0 to R3, are dedicated as program counter, stack pointer, status register, and constant generator respectively. The remaining registers are general-purpose registers (see [Figure 9-1](#)).

Peripherals are connected to the CPU using data, address, and control buses. Peripherals can be managed with all instructions.



**Figure 9-1. CPU Registers**

## 9.2 Instruction Set

The instruction set consists of 51 instructions with three formats and seven address modes. Each instruction can operate on word and byte data. [Table 9-1](#) lists examples of the three types of instruction formats; [Table 9-2](#) lists the address modes.

**Table 9-1. Instruction Word Formats**

| INSTRUCTION FORMAT                          | EXAMPLE   | OPERATION             |
|---|-----------|-----------------------|
| Dual operands, source and destination       | ADD R4,R5 | R4 + R5 → R5          |
| Single operands, destination only           | CALL R8   | PC → (TOS), R8 → PC   |
| Relative jump, unconditional or conditional | JNE       | Jump-on-equal bit = 0 |

**Table 9-2. Address Mode Descriptions**

| ADDRESS MODE           | S <sup>(1)</sup> | D <sup>(1)</sup> | SYNTAX          | EXAMPLE          | OPERATION                     |
|------------------------|------------------|------------------|-----------------|------------------|-------------------------------|
| Register               | ✓                | ✓                | MOV Rs,Rd       | MOV R10,R11      | R10 → R11                     |
| Indexed                | ✓                | ✓                | MOV X(Rn),Y(Rm) | MOV 2(R5),6(R6)  | M(2+R5) → M(6+R6)             |
| Symbolic (PC relative) | ✓                | ✓                | MOV EDE,TONI    |                  | M(EDE) → M(TONI)              |
| Absolute               | ✓                | ✓                | MOV &MEM,&TCDAT |                  | M(MEM) → M(TCDAT)             |
| Indirect               | ✓                |                  | MOV @Rn,Y(Rm)   | MOV @R10,Tab(R6) | M(R10) → M(Tab+R6)            |
| Indirect autoincrement | ✓                |                  | MOV @Rn+,Rm     | MOV @R10+,R11    | M(R10) → R11<br>R10 + 2 → R10 |
| Immediate              | ✓                |                  | MOV #X,TONI     | MOV #45,TONI     | #45 → M(TONI)                 |

(1) S = source, D = destination



### 9.3 Operating Modes

The MSP430 has one active mode and five software-selectable low-power modes of operation. An interrupt event can wake the device from any of the five low-power modes, service the request, and restore back to the low-power mode on return from the interrupt program.

The following six operating modes can be configured by software:

- Active mode (AM)
  - All clocks are active
- Low-power mode 0 (LPM0)
  - CPU is disabled
  - ACLK and SMCLK remain active
  - MCLK is disabled
- Low-power mode 1 (LPM1)
  - CPU is disabled
  - ACLK and SMCLK remain active. MCLK is disabled
  - DC generator of the DCO is disabled if DCO not used in active mode
- Low-power mode 2 (LPM2)
  - CPU is disabled
  - MCLK and SMCLK are disabled
  - DC generator of the DCO remains enabled
  - ACLK remains active
- Low-power mode 3 (LPM3)
  - CPU is disabled
  - MCLK and SMCLK are disabled
  - DC generator of the DCO is disabled
  - ACLK remains active
- Low-power mode 4 (LPM4)
  - CPU is disabled
  - ACLK is disabled
  - MCLK and SMCLK are disabled
  - DC generator of the DCO is disabled
  - Crystal oscillator is stopped

## 9.4 Interrupt Vector Addresses

The interrupt vectors and the power up starting address are in the address range of 0FFFFh to 0FFC0h. The vector contains the 16-bit address of the appropriate interrupt handler instruction sequence.

If the reset vector (at address 0FFFEh) contains 0FFFFh (for example, flash is not programmed) the CPU enters LPM4 immediately after power up.

**Table 9-3. Interrupt Sources**


| INTERRUPT SOURCE   | INTERRUPT FLAG   | SYSTEM INTERRUPT                                  | WORD ADDRESS     | PRIORITY        |
|--|--|---|------------------|-----------------|
| Power up<br>External reset<br>Watchdog Timer+<br>Flash key violation<br>PC out of range <sup>(1)</sup> | PORIFG<br>RSTIFG<br>WDTIFG<br>KEYV<br>See <sup>(2)</sup> | Reset   | 0FFFEh           | 31, highest     |
| NMI<br>Oscillator fault<br>Flash memory access violation   | NMIIFG<br>OFIFG<br>ACCVIFG <sup>(2) (6)</sup>            | (Non)maskable,<br>(Non)maskable,<br>(Non)maskable | 0FFFCh           | 30              |
| Timer_B7   | TBCCR0 CCIFG <sup>(3)</sup>                              | Maskable  | 0FFFAh           | 29              |
| Timer_B7   | TBCCR1 to TBCCR6 CCIFGs,<br>TBIFG <sup>(2) (3)</sup>     | Maskable  | 0FFF8h           | 28              |
| Comparator_A+  | CAIFG  | Maskable  | 0FFF6h           | 27              |
| Watchdog Timer+  | WDTIFG   | Maskable  | 0FFF4h           | 26              |
| Timer_A3   | TACCR0 CCIFG <sup>(3)</sup>                              | Maskable  | 0FFF2h           | 25              |
| Timer_A3   | TACCR1 CCIFG<br>TACCR2 CCIFG <sup>(2) (3)</sup>          | Maskable  | 0FFF0h           | 24              |
| USCI_A0 or USCI_B0 receive<br>USCI_B0 I <sup>2</sup> C status  | UCA0RXIFG, UCB0RXIFG <sup>(2) (4)</sup>                  | Maskable  | 0FFEEh           | 23              |
| USCI_A0 or USCI_B0 transmit<br>USCI_B0 I <sup>2</sup> C receive or transmit                            | UCA0TXIFG, UCB0TXIFG <sup>(2) (5)</sup>                  | Maskable  | 0FFECCh          | 22              |
| ADC12  | ADC12IFG <sup>(2) (3)</sup>                              | Maskable  | 0FFEAh           | 21              |
|  |  |   | 0FFE8h           | 20              |
| I/O port P2 (eight flags)  | P2IFG.0 to P2IFG.7 <sup>(2) (3)</sup>                    | Maskable  | 0FFE6h           | 19              |
| I/O port P1 (eight flags)  | P1IFG.0 to P1IFG.7 <sup>(2) (3)</sup>                    | Maskable  | 0FFE4h           | 18              |
| USCI_A1 or USCI_B1 receive<br>USCI_B1 I <sup>2</sup> C status  | UCA1RXIFG, UCB1RXIFG <sup>(2) (4)</sup>                  | Maskable  | 0FFE2h           | 17              |
| USCI_A1 or USCI_B1 transmit<br>USCI_B1 I <sup>2</sup> C receive or transmit                            | UCA1TXIFG, UCB1TXIFG <sup>(2) (5)</sup>                  | Maskable  | 0FFE0h           | 16              |
| DMA  | DMA0IFG, DMA1IFG, DMA2IFG <sup>(2) (3)</sup>             | Maskable  | 0FFDEh           | 15              |
| DAC12  | DAC12_0IFG, DAC12_1IFG <sup>(2) (3)</sup>                | Maskable  | 0FFDCh           | 14              |
| See <sup>(7) (8)</sup>   |  |   | 0FFDAh to 0FFC0h | 15 to 0, lowest |

- (1) A reset is generated if the CPU tries to fetch instructions from within the module register memory address range (0h to 01FFh) or from within unused address ranges.
- (2) Multiple source flags
- (3) Interrupt flags are in the module.
- (4) In SPI mode: UCB0RXIFG. In I<sup>2</sup>C mode: UCALIFG, UCNACKIFG, ICSTTIFG, UCSTPIFG.
- (5) In UART or SPI mode: UCB0TXIFG. In I<sup>2</sup>C mode: UCB0RXIFG, UCB0TXIFG.
- (6) (Non)maskable: the individual interrupt-enable bit can disable an interrupt event, but the general interrupt enable cannot.
- (7) The address 0FFBEh is used as bootloader security key (BSLSKEY).  
A 0AA55h at this location disables the BSL completely.  
A zero disables the erasure of the flash if an invalid password is supplied.
- (8) The interrupt vectors at addresses 0FFDAh to 0FFC0h are not used in this device and can be used for regular program code if necessary.

## 9.5 Special Function Registers (SFRs)

Most interrupt and module enable bits are collected into the lowest address space. Special function register bits not allocated to a functional purpose are not physically present in the device. Simple software access is provided with this arrangement.

### Legend

|   |   |
|---|---|
| rw  | Bit can be read and written.                            |
| rw-0, rw-1  | Bit can be read and written. It is Reset or Set by PUC. |
| rw-(0), rw-(1)  | Bit can be read and written. It is Reset or Set by POR. |
|  | SFR bit is not present in device.                       |

**Figure 9-2. Interrupt Enable Register 1 (Address = 00h)**

| 7 | 6 | 5      | 4     | 3 | 2 | 1    | 0     |
|---|---|--------|-------|---|---|------|-------|
|   |   | ACCVIE | NMIIE |   |   | OFIE | WDTIE |
|   |   | rw-0   | rw-0  |   |   | rw-0 | rw-0  |

**Table 9-4. Interrupt Enable Register 1 Description**

| BIT | FIELD  | TYPE | RESET | DESCRIPTION  |
|-----|--------|------|-------|--|
| 5   | ACCVIE | RW   | 0h    | Flash access violation interrupt enable  |
| 4   | NMIIE  | RW   | 0h    | (Non)maskable interrupt enable   |
| 1   | OFIE   | RW   | 0h    | Oscillator fault interrupt enable  |
| 0   | WDTIE  | RW   | 0h    | Watchdog timer interrupt enable. Inactive if watchdog mode is selected. Active if the watchdog timer is configured in interval timer mode. |

**Figure 9-3. Interrupt Enable Register 2 (Address = 01h)**

| 7 | 6 | 5 | 4 | 3        | 2        | 1        | 0        |
|---|---|---|---|----------|----------|----------|----------|
|   |   |   |   | UCB0TXIE | UCB0RXIE | UCA0TXIE | UCA0RXIE |
|   |   |   |   | rw-0     | rw-0     | rw-0     | rw-0     |

**Table 9-5. Interrupt Enable Register 2 Description**

| BIT | FIELD    | TYPE | RESET | DESCRIPTION                       |
|-----|----------|------|-------|-----------------------------------|
| 3   | UCB0TXIE | RW   | 0h    | USCI_B0 transmit interrupt enable |
| 2   | UCB0RXIE | RW   | 0h    | USCI_B0 receive interrupt enable  |
| 1   | UCA0TXIE | RW   | 0h    | USCI_A0 transmit interrupt enable |
| 0   | UCA0RXIE | RW   | 0h    | USCI_A0 receive interrupt enable  |

**Figure 9-4. Interrupt Flag Register 1 (Address = 02h)**

| 7 | 6 | 5 | 4      | 3      | 2      | 1     | 0      |
|---|---|---|--------|--------|--------|-------|--------|
|   |   |   | NMIIFG | RSTIFG | PORIFG | OFIFG | WDTIFG |
|   |   |   | rw-0   | rw-(0) | rw-(1) | rw-1  | rw-(0) |

**Table 9-6. Interrupt Flag Register 1 Description**

| BIT | FIELD  | TYPE | RESET | DESCRIPTION   |
|-----|--------|------|-------|---|
| 4   | NMIIFG | RW   | 0h    | Set by the $\overline{RST}/NMI$ pin   |
| 3   | RSTIFG | RW   | 0h    | External reset interrupt flag. Set on a reset condition at $\overline{RST}/NMI$ pin in reset mode. Reset on $V_{CC}$ power up.  |
| 2   | PORIFG | RW   | 1h    | Power-on reset interrupt flag. Set on $V_{CC}$ power up.  |
| 1   | OFIFG  | RW   | 1h    | Flag set on oscillator fault.   |
| 0   | WDTIFG | RW   | 0h    | Set on watchdog timer overflow (in watchdog mode) or security key violation. Reset on $V_{CC}$ power on or a reset condition at the $\overline{RST}/NMI$ pin in reset mode. |

**Figure 9-5. Interrupt Flag Register 2 (Address = 03h)**

|   |   |   |   |           |           |           |           |
|---|---|---|---|-----------|-----------|-----------|-----------|
| 7 | 6 | 5 | 4 | 3         | 2         | 1         | 0         |
|   |   |   |   | UCB0TXIFG | UCB0RXIFG | UCA0TXIFG | UCA0RXIFG |
|   |   |   |   | rw-1      | rw-0      | rw-1      | rw-0      |

**Table 9-7. Interrupt Flag Register 2 Description**

| BIT | FIELD     | TYPE | RESET | DESCRIPTION                     |
|-----|-----------|------|-------|---------------------------------|
| 3   | UCB0TXIFG | RW   | 0h    | USCI_B0 transmit interrupt flag |
| 2   | UCB0RXIFG | RW   | 1h    | USCI_B0 receive interrupt flag  |
| 1   | UCA0TXIFG | RW   | 1h    | USCI_A0 transmit interrupt flag |
| 0   | UCA0RXIFG | RW   | 0h    | USCI_A0 receive interrupt flag  |

## 9.6 Memory Organization

Table 9-8 summarizes the memory map of each device variant.

**Table 9-8. Memory Organization**

|                                     |           | <b>MSP430F2416<br/>MSP430F2616</b> | <b>MSP430F2417<br/>MSP430F2617</b> | <b>MSP430F2418<br/>MSP430F2618</b> | <b>MSP430F2419<br/>MSP430F2619</b> |
|-------------------------------------|-----------|------------------------------------|------------------------------------|------------------------------------|------------------------------------|
| Memory                              | Size      | 92KB                               | 92KB                               | 116KB                              | 120KB                              |
| Main: interrupt vector              | Flash     | 0x0FFFF to 0x0FFC0                 | 0x0FFFF to 0x0FFC0                 | 0x0FFFF to 0x0FFC0                 | 0x0FFFF to 0x0FFC0                 |
| Main: code memory                   | Flash     | 0x18FFF to 0x02100                 | 0x19FFF to 0x03100                 | 0x1FFFF to 0x03100                 | 0x1FFFF to 0x02100                 |
| RAM (total)                         | Size      | 4KB<br>0x020FF to 0x01100          | 8KB<br>0x030FF to 0x01100          | 8KB<br>0x030FF to 0x01100          | 4KB<br>0x020FF to 0x01100          |
| Extended                            | Size      | 2KB<br>0x020FF to 0x01900          | 6KB<br>0x030FF to 0x01900          | 6KB<br>0x030FF to 0x01900          | 2KB<br>0x020FF to 0x01900          |
| Mirrored                            | Size      | 2KB<br>0x018FF to 0x01100          | 2KB<br>0x018FF to 0x01100          | 2KB<br>0x018FF to 0x01100          | 2KB<br>0x018FF to 0x01100          |
| Information memory                  | Size      | 256 bytes                          | 256 bytes                          | 256 bytes                          | 256 bytes                          |
|                                     | Info A    | 0x010FF to 0x010C0                 | 0x010FF to 0x010C0                 | 0x010FF to 0x010C0                 | 0x010FF to 0x010C0                 |
|                                     | Info B    | 0x010BF to 0x01080                 | 0x010BF to 0x01080                 | 0x010BF to 0x01080                 | 0x010BF to 0x01080                 |
|                                     | Info C    | 0x0107F to 0x01040                 | 0x0107F to 0x01040                 | 0x0107F to 0x01040                 | 0x0107F to 0x01040                 |
|                                     | Info D    | 0x0103F to 0x01000                 | 0x0103F to 0x01000                 | 0x0103F to 0x01000                 | 0x0103F to 0x01000                 |
| Boot memory                         | Size      | 1KB                                | 1KB                                | 1KB                                | 1KB                                |
|                                     | ROM       | 0x00FFF to 0x00C00                 | 0x00FFF to 0x00C00                 | 0x00FFF to 0x00C00                 | 0x00FFF to 0x00C00                 |
| RAM (mirrored at 0x18FF to 0x01100) | Size      | 2KB<br>0x009FF to 0x00200          | 2KB<br>0x009FF to 0x00200          | 2KB<br>0x009FF to 0x00200          | 2KB<br>0x009FF to 0x00200          |
| Peripherals                         | 16-bit    | 0x001FF to 0x00100                 | 0x001FF to 0x00100                 | 0x001FF to 0x00100                 | 0x001FF to 0x00100                 |
|                                     | 8-bit     | 0x000FF to 0x00010                 | 0x000FF to 0x00010                 | 0x000FF to 0x00010                 | 0x000FF to 0x00010                 |
|                                     | 8-bit SFR | 0x0000F to 0x00000                 | 0x0000F to 0x00000                 | 0x0000F to 0x00000                 | 0x0000F to 0x00000                 |

## 9.7 Bootloader (BSL)

The MSP430 BSL lets users program the flash memory or RAM using a UART serial interface. Table 9-9 lists the BSL pin requirements. Access to memory through the BSL is protected by a user-defined password. For complete description of the features of the BSL and its implementation, see the [MSP430™ Flash Devices Bootloader \(BSL\) User's Guide](#). For design resources to help use the BSL, visit [Bootloader \(BSL\) for MSP low-power microcontrollers](#).

**Table 9-9. BSL Pin Functions**

| <b>BSL FUNCTION</b> | <b>PM, PN PACKAGE PINS</b> | <b>ZCA, ZQW PACKAGE PINS</b> |
|---------------------|----------------------------|------------------------------|
| Data Transmit       | 13 - P1.1                  | H1 - P1.1                    |
| Data Receive        | 22 - P2.2                  | M3 - P2.2                    |

## 9.8 Flash Memory

The flash memory can be programmed through the JTAG port, the bootloader, or in-system by the CPU. The CPU can perform single-byte and single-word writes to the flash memory. Features of the flash memory include:

- Flash memory has n segments of main memory and four segments of information memory (A to D) of 64 bytes each. Each segment in main memory is 512 bytes in size.
- Segments 0 to n may be erased in one step, or each segment may be individually erased.
- Segments A to D can be erased individually, or as a group with segments 0 to n. Segments A to D are also called *information memory*.

- Segment A contains calibration data. After reset segment A is protected against programming and erasing. It can be unlocked but care should be taken not to erase this segment if the device-specific calibration data is required.
- Flash content integrity check with marginal read modes

## 9.9 Peripherals

Peripherals are connected to the CPU through data, address, and control buses and can be handled using all instructions. For complete module descriptions, see the [MSP430F2xx, MSP430G2xx Family User's Guide](#).

### 9.9.1 DMA Controller (MSP430F261x Only)

The DMA controller allows movement of data from one memory address to another without CPU intervention. For example, the DMA controller can be used to move data from the ADC12 conversion memory to RAM. Using the DMA controller can increase the throughput of peripheral modules. The DMA controller reduces system power consumption by allowing the CPU to remain in sleep mode without having to awaken to move data to or from a peripheral.

### 9.9.2 Oscillator and System Clock

The clock system in the MSP430F241x and MSP430F261x family of devices is supported by the basic clock module that includes support for a 32768-Hz watch crystal oscillator, an internal very low-power low-frequency oscillator, an internal digitally controlled oscillator (DCO), and a high-frequency crystal oscillator. The basic clock module is designed to meet the requirements of both low system cost and low power consumption. The internal DCO provides a fast turnon clock source and stabilizes in less than 1  $\mu$ s. The basic clock module provides the following clock signals:

- Auxiliary clock (ACLK), sourced either from a 32768-Hz watch crystal or the internal LF oscillator.
- Main clock (MCLK), the system clock used by the CPU.
- Sub-Main clock (SMCLK), the subsystem clock used by the peripheral modules.

The DCO settings to calibrate the DCO output frequency are stored in the information memory segment A.

### 9.9.3 Calibration Data Stored in Information Memory Segment A

Calibration data is stored for the DCO and for the ADC12. It is organized in a tag-length-value (TLV) structure (see [Table 9-10](#) and [Table 9-11](#)).

**Table 9-10. Tags Used by the TLV Structure**

| NAME        | ADDRESS | VALUE | DESCRIPTION   |
|-------------|---------|-------|---|
| TAG_DCO_30  | 0x10F6  | 0x01  | DCO frequency calibration at $V_{CC} = 3\text{ V}$ and $T_A = 25^\circ\text{C}$ |
| TAG_ADC12_1 | 0x10DA  | 0x08  | ADC12_1 calibration tag   |
| TAG_EMPTY   | –       | 0xFE  | Identifier for empty memory areas   |

**Table 9-11. Labels Used by the ADC Calibration Structure**

| LABEL                 | ADDRESS OFFSET | SIZE | CONDITION AT CALIBRATION  |
|-----------------------|----------------|------|---|
| CAL_ADC_25T85         | 0x0010         | Word | INCHx = 1010b, REF2_5 = 1, $T_A = 85^\circ\text{C}$               |
| CAL_ADC_25T30         | 0x000E         | Word | INCHx = 1010b, REF2_5 = 1, $T_A = 30^\circ\text{C}$               |
| CAL_ADC_25VREF_FACTOR | 0x000C         | Word | REF2_5 = 1, $T_A = 30^\circ\text{C}$                              |
| CAL_ADC_15T85         | 0x000A         | Word | INCHx = 1010b, REF2_5 = 0, $T_A = 85^\circ\text{C}$               |
| CAL_ADC_15T30         | 0x0008         | Word | INCHx = 1010b, REF2_5 = 0, $T_A = 30^\circ\text{C}$               |
| CAL_ADC_15VREF_FACTOR | 0x0006         | Word | REF2_5 = 0, $T_A = 30^\circ\text{C}$                              |
| CAL_ADC_OFFSET        | 0x0004         | Word | External $V_{REF} = 1.5\text{ V}$ , $f_{ADC12CLK} = 5\text{ MHz}$ |
| CAL_ADC_GAIN_FACTOR   | 0x0002         | Word | External $V_{REF} = 1.5\text{ V}$ , $f_{ADC12CLK} = 5\text{ MHz}$ |
| CAL_BC1_1MHZ          | 0x0009         | Byte | –   |
| CAL_DCO_1MHZ          | 0x0008         | Byte | –   |
| CAL_BC1_8MHZ          | 0x0007         | Byte | –   |

**Table 9-11. Labels Used by the ADC Calibration Structure (continued)**

| LABEL         | ADDRESS OFFSET | SIZE | CONDITION AT CALIBRATION |
|---------------|----------------|------|--------------------------|
| CAL_DCO_8MHZ  | 0x0006         | Byte | –                        |
| CAL_BC1_12MHZ | 0x0005         | Byte | –                        |
| CAL_DCO_12MHZ | 0x0004         | Byte | –                        |
| CAL_BC1_16MHZ | 0x0003         | Byte | –                        |
| CAL_DCO_16MHZ | 0x0002         | Byte | –                        |

### 9.9.4 Brownout, Supply Voltage Supervisor (SVS)

The brownout circuit is implemented to provide the proper internal reset signal to the device during power on and power off. The SVS circuitry detects if the supply voltage drops below a user selectable level and supports both supply voltage supervision (the device is automatically reset) and supply voltage monitoring (SVM) (the device is not automatically reset).

The CPU begins code execution after the brownout circuit releases the device reset. However,  $V_{CC}$  may not have ramped to  $V_{CC(min)}$  at that time. The user must ensure that the default DCO settings are not changed until  $V_{CC}$  reaches  $V_{CC(min)}$ . If desired, the SVS circuit can be used to determine when  $V_{CC}$  reaches  $V_{CC(min)}$ .

### 9.9.5 Digital I/O

Up to eight 8-bit I/O ports are implemented—ports P1 to P8:

- All individual I/O bits are independently programmable.
- Any combination of input, output, and interrupt condition is possible.
- Edge-selectable interrupt input capability for all 8 bits of both port P1 and port P2.
- Read and write access to port-control registers is supported by all instructions.
- Each I/O has an individually programmable pullup or pulldown resistor.
- Ports P7 and P8 can be accessed word-wise.

### 9.9.6 Watchdog Timer (WDT+)

The primary function of the WDT+ module is to perform a controlled system restart after a software problem occurs. If the selected time interval expires, a system reset is generated. If the watchdog function is not needed in an application, the module can be disabled or configured as an interval timer and can generate interrupts at selected time intervals.

### 9.9.7 Hardware Multiplier

The multiplication operation is supported by a dedicated peripheral module. The module performs 16- × 16-bit, 16- × 8-bit, 8- × 16-bit, and 8- × 8-bit operations. The module supports signed and unsigned multiplication as well as signed and unsigned multiply-and-accumulate operations. The result of an operation can be accessed immediately after the operands have been loaded into the peripheral registers. No additional clock cycles are required.

### 9.9.8 Universal Serial Communication Interface (USCI)

The USCI modules are used for serial data communication. The USCI module supports synchronous communication protocols such as SPI (3-pin or 4-pin) or I<sup>2</sup>C, and asynchronous combination protocols such as UART, enhanced UART with automatic baudrate detection (LIN), and IrDA.

The USCI\_A module provides support for SPI (3-pin or 4-pin), UART, enhanced UART, and IrDA.

The USCI\_B module provides support for SPI (3-pin or 4-pin) and I<sup>2</sup>C

### 9.9.9 Timer\_A3

Timer\_A3 is a 16-bit timer/counter with three capture/compare registers. Timer\_A3 supports multiple capture/compares, PWM outputs, and interval timing (see [Table 9-12](#)). Timer\_A3 also has extensive interrupt capabilities. Interrupts may be generated from the counter on overflow conditions and from each of the capture/compare registers.

**Table 9-12. Timer\_A3 Signal Connections**

| INPUT PIN NUMBER |           | DEVICE INPUT SIGNAL | MODULE INPUT NAME | MODULE BLOCK | MODULE OUTPUT SIGNAL | OUTPUT PIN NUMBER  |           |
|------------------|-----------|---------------------|-------------------|--------------|----------------------|--------------------|-----------|
| ZCA, ZQW         | PM, PN    |                     |                   |              |                      | PM, PN             | ZCA, ZQW  |
| G2 - P1.0        | 12 - P1.0 | TACLK               | TACLK             | Timer        | NA                   |                    |           |
|                  |           | ACLK                | ACLK              |              |                      |                    |           |
|                  |           | SMCLK               | SMCLK             |              |                      |                    |           |
| M2 - P2.1        | 21 - P2.1 | TAINCLK             | INCLK             |              |                      |                    |           |
| H1 - P1.1        | 13 - P1.1 | TA0                 | CCI0A             | CCR0         | TA0                  | 13 - P1.1          | H1 - P1.1 |
| M3 - P2.2        | 22 - P2.2 | TA0                 | CCI0B             |              |                      | 17 - P1.5          | K1 - P1.5 |
|                  |           | DV <sub>SS</sub>    | GND               |              |                      | 27 - P2.7          | L5 - P2.7 |
|                  |           | DV <sub>CC</sub>    | V <sub>CC</sub>   |              |                      |                    |           |
| H2 - P1.2        | 14 - P1.2 | TA1                 | CCI1A             | CCR1         | TA1                  | 14 - P1.2          | H2 - P1.2 |
|                  |           | CAOUT (internal)    | CCI1B             |              |                      | 18 - P1.6          | K2 - P1.6 |
|                  |           | DV <sub>SS</sub>    | GND               |              |                      | 23 - P2.3          | L3 - P2.3 |
|                  |           | DV <sub>CC</sub>    | V <sub>CC</sub>   |              |                      | ADC12 (internal)   |           |
|                  |           |                     |                   |              |                      | DAC12_0 (internal) |           |
|                  |           |                     |                   |              |                      | DAC12_1 (internal) |           |
| J1 - P1.3        | 15 - P1.3 | TA2                 | CCI2A             | CCR2         | TA2                  | 15 - P1.3          | J1 - P1.3 |
|                  |           | ACLK (internal)     | CCI2B             |              |                      | 19 - P1.7          | L1 - P1.7 |
|                  |           | DV <sub>SS</sub>    | GND               |              |                      | 24 - P2.4          | L4 - P2.4 |
|                  |           | DV <sub>CC</sub>    | V <sub>CC</sub>   |              |                      |                    |           |



### 9.9.10 Timer\_B7

Timer\_B7 is a 16-bit timer/counter with seven capture/compare registers. Timer\_B7 supports multiple capture/compares, PWM outputs, and interval timing (see [Table 9-13](#)). Timer\_B7 also has extensive interrupt capabilities. Interrupts may be generated from the counter on overflow conditions and from each of the capture/compare registers.

**Table 9-13. Timer\_B3, Timer\_B7 Signal Connections**

| INPUT PIN NUMBER |           | DEVICE INPUT SIGNAL | MODULE INPUT NAME | MODULE BLOCK | MODULE OUTPUT SIGNAL | OUTPUT PIN NUMBER |            |
|------------------|-----------|---------------------|-------------------|--------------|----------------------|-------------------|------------|
| ZCA, ZQW         | PM, PN    |                     |                   |              |                      | PM, PN            | ZCA, ZQW   |
| K11 - P4.7       | 43 - P4.7 | TBCLK               | TBCLK             | Timer        | NA                   |                   |            |
|                  |           | ACLK                | ACLK              |              |                      |                   |            |
|                  |           | SMCLK               | SMCLK             |              |                      |                   |            |
| K11 - P4.7       | 43 - P4.7 | TBCLK               | INCLK             |              |                      |                   |            |
| M9 - P4.0        | 36 - P4.0 | TB0                 | CCI0A             | CCR0         | TB0                  | 36 - P4.0         | M9 - P4.0  |
| M9 - P4.0        | 36 - P4.0 | TB0                 | CCI0B             |              |                      | ADC12 (internal)  |            |
|                  |           | DV <sub>SS</sub>    | GND               |              |                      |                   |            |
|                  |           | DV <sub>CC</sub>    | V <sub>CC</sub>   |              |                      |                   |            |
| J9 - P4.1        | 37 - P4.1 | TB1                 | CCI1A             | CCR1         | TB1                  | 37 - P4.1         | J9 - P4.1  |
| J9 - P4.1        | 37 - P4.1 | TB1                 | CCI1B             |              |                      | ADC12 (internal)  |            |
|                  |           | DV <sub>SS</sub>    | GND               |              |                      |                   |            |
|                  |           | DV <sub>CC</sub>    | V <sub>CC</sub>   |              |                      |                   |            |
| M10 - P4.2       | 38 - P4.2 | TB2                 | CCI2A             | CCR2         | TB2                  | 38 - P4.2         | M10 - P4.2 |
| M10 - P4.2       | 38 - P4.2 | TB2                 | CCI2B             |              |                      | DAC_0 (internal)  |            |
|                  |           | DV <sub>SS</sub>    | GND               |              |                      | DAC_1 (internal)  |            |
|                  |           | DV <sub>CC</sub>    | V <sub>CC</sub>   |              |                      |                   |            |
| L10 - P4.3       | 39 - P4.3 | TB3                 | CCI3A             | CCR3         | TB3                  | 39 - P4.3         | L10 - P4.3 |
| L10 - P4.3       | 39 - P4.3 | TB3                 | CCI3B             |              |                      |                   |            |
|                  |           | DV <sub>SS</sub>    | GND               |              |                      |                   |            |
|                  |           | DV <sub>CC</sub>    | V <sub>CC</sub>   |              |                      |                   |            |
| M11 - P4.4       | 40 - P4.4 | TB4                 | CCI4A             | CCR4         | TB4                  | 40 - P4.4         | M11 - P4.4 |
| M11 - P4.4       | 40 - P4.4 | TB4                 | CCI4B             |              |                      |                   |            |
|                  |           | DV <sub>SS</sub>    | GND               |              |                      |                   |            |
|                  |           | DV <sub>CC</sub>    | V <sub>CC</sub>   |              |                      |                   |            |
| M12 - P4.5       | 41 - P4.5 | TB5                 | CCI5A             | CCR5         | TB5                  | 41 - P4.5         | M12 - P4.5 |
| M12 - P4.5       | 41 - P4.5 | TB5                 | CCI5B             |              |                      |                   |            |
|                  |           | DV <sub>SS</sub>    | GND               |              |                      |                   |            |
|                  |           | DV <sub>CC</sub>    | V <sub>CC</sub>   |              |                      |                   |            |
| L12 - P4.6       | 42 - P4.6 | TB6                 | CCI6A             | CCR6         | TB6                  | 42 - P4.6         | L12 - P4.6 |
|                  |           | ACLK (internal)     | CCI6B             |              |                      |                   |            |
|                  |           | DV <sub>SS</sub>    | GND               |              |                      |                   |            |
|                  |           | DV <sub>CC</sub>    | V <sub>CC</sub>   |              |                      |                   |            |

### 9.9.11 Comparator\_A+

The primary function of the Comparator\_A+ module is to support precision slope analog-to-digital conversions, battery-voltage supervision, and monitoring of external analog signals.

### 9.9.12 ADC12

The ADC12 module supports fast 12-bit analog-to-digital conversions. The module implements a 12-bit SAR core, sample select control, reference generator, and a 16-word conversion-and-control buffer. The conversion-and-control buffer allows the conversion and storage of up to 16 independent ADC samples without any CPU intervention.

### 9.9.13 DAC12 (MSP430F261x Only)

The DAC12 module is a 12-bit R-ladder voltage-output digital-to-analog converter (DAC). The DAC12 may be used in 8-bit or 12-bit mode and may be used with the DMA controller. When multiple DAC12 modules are present, they may be grouped together for synchronous operation.

### 9.9.14 Peripheral File Map

Table 9-14 lists the supported registers for each peripheral module.

**Table 9-14. Peripherals File Map**

| MODULE               | REGISTER                          | ACRONYM    | ADDRESS |
|----------------------|-----------------------------------|------------|---------|
| DMA <sup>(1)</sup>   | DMA channel 2 transfer size       | DMA2SZ     | 0x01F2  |
|                      | DMA channel 2 destination address | DMA2DA     | 0x01EE  |
|                      | DMA channel 2 source address      | DMA2SA     | 0x01EA  |
|                      | DMA channel 2 control             | DMA2CTL    | 0x01E8  |
|                      | DMA channel 1 transfer size       | DMA1SZ     | 0x01E6  |
|                      | DMA channel 1 destination address | DMA1DA     | 0x01E2  |
|                      | DMA channel 1 source address      | DMA1SA     | 0x01DE  |
|                      | DMA channel 1 control             | DMA1CTL    | 0x01DC  |
|                      | DMA channel 0 transfer size       | DMA0SZ     | 0x01DA  |
|                      | DMA channel 0 destination address | DMA0DA     | 0x01D6  |
|                      | DMA channel 0 source address      | DMA0SA     | 0x01D2  |
|                      | DMA channel 0 control             | DMA0CTL    | 0x01D0  |
|                      | DMA module interrupt vector word  | DMAIV      | 0x0126  |
|                      | DMA module control 1              | DMACTL1    | 0x0124  |
| DMA module control 0 | DMACTL0                           | 0x0122     |         |
| DAC12 <sup>(1)</sup> | DAC12_1 data                      | DAC12_1DAT | 0x01CA  |
|                      | DAC12_1 control                   | DAC12_1CTL | 0x01C2  |
|                      | DAC12_0 data                      | DAC12_0DAT | 0x01C8  |
|                      | DAC12_0 control                   | DAC12_0CTL | 0x01C0  |

**Table 9-14. Peripherals File Map (continued)**

| MODULE               | REGISTER              | ACRONYM     | ADDRESS |
|----------------------|-----------------------|-------------|---------|
| ADC12                | Interrupt vector word | ADC12IV     | 0x01A8  |
|                      | Interrupt enable      | ADC12IE     | 0x01A6  |
|                      | Interrupt flag        | ADC12IFG    | 0x01A4  |
|                      | Control 1             | ADC12CTL1   | 0x01A2  |
|                      | Control 0             | ADC12CTL0   | 0x01A0  |
|                      | Conversion memory 15  | ADC12MEM15  | 0x015E  |
|                      | Conversion memory 14  | ADC12MEM14  | 0x015C  |
|                      | Conversion memory 13  | ADC12MEM13  | 0x015A  |
|                      | Conversion memory 12  | ADC12MEM12  | 0x0158  |
|                      | Conversion memory 11  | ADC12MEM11  | 0x0156  |
|                      | Conversion memory 10  | ADC12MEM10  | 0x0154  |
|                      | Conversion memory 9   | ADC12MEM9   | 0x0152  |
|                      | Conversion memory 8   | ADC12MEM8   | 0x0150  |
|                      | Conversion memory 7   | ADC12MEM7   | 0x014E  |
|                      | Conversion memory 6   | ADC12MEM6   | 0x014C  |
|                      | Conversion memory 5   | ADC12MEM5   | 0x014A  |
|                      | Conversion memory 4   | ADC12MEM4   | 0x0148  |
|                      | Conversion memory 3   | ADC12MEM3   | 0x0146  |
|                      | Conversion memory 2   | ADC12MEM2   | 0x0144  |
|                      | Conversion memory 1   | ADC12MEM1   | 0x0142  |
|                      | Conversion memory 0   | ADC12MEM0   | 0x0140  |
|                      | ADC memory control 15 | ADC12MCTL15 | 0x008F  |
|                      | ADC memory control 14 | ADC12MCTL14 | 0x008E  |
|                      | ADC memory control 13 | ADC12MCTL13 | 0x008D  |
|                      | ADC memory control 12 | ADC12MCTL12 | 0x008C  |
|                      | ADC memory control 11 | ADC12MCTL11 | 0x008B  |
|                      | ADC memory control 10 | ADC12MCTL10 | 0x008A  |
|                      | ADC memory control 9  | ADC12MCTL9  | 0x0089  |
|                      | ADC memory control 8  | ADC12MCTL8  | 0x0088  |
|                      | ADC memory control 7  | ADC12MCTL7  | 0x0087  |
|                      | ADC memory control 6  | ADC12MCTL6  | 0x0086  |
|                      | ADC memory control 5  | ADC12MCTL5  | 0x0085  |
|                      | ADC memory control 4  | ADC12MCTL4  | 0x0084  |
|                      | ADC memory control 3  | ADC12MCTL3  | 0x0083  |
| ADC memory control 2 | ADC12MCTL2            | 0x0082      |         |
| ADC memory control 1 | ADC12MCTL1            | 0x0081      |         |
| ADC memory control 0 | ADC12MCTL0            | 0x0080      |         |

**Table 9-14. Peripherals File Map (continued)**

| MODULE                                | REGISTER                  | ACRONYM    | ADDRESS |
|---------------------------------------|---------------------------|------------|---------|
| Timer_B7                              | Capture/compare 6         | TBCCR6     | 0x019E  |
|                                       | Capture/compare 5         | TBCCR5     | 0x019C  |
|                                       | Capture/compare 4         | TBCCR4     | 0x019A  |
|                                       | Capture/compare 3         | TBCCR3     | 0x0198  |
|                                       | Capture/compare 2         | TBCCR2     | 0x0196  |
|                                       | Capture/compare 1         | TBCCR1     | 0x0194  |
|                                       | Capture/compare 0         | TBCCR0     | 0x0192  |
|                                       | Timer_B counter           | TBR        | 0x0190  |
|                                       | Capture/compare control 6 | TBCCTL6    | 0x018E  |
|                                       | Capture/compare control 5 | TBCCTL5    | 0x018C  |
|                                       | Capture/compare control 4 | TBCCTL4    | 0x018A  |
|                                       | Capture/compare control 3 | TBCCTL3    | 0x0188  |
|                                       | Capture/compare control 2 | TBCCTL2    | 0x0186  |
|                                       | Capture/compare control 1 | TBCCTL1    | 0x0184  |
|                                       | Capture/compare control 0 | TBCCTL0    | 0x0182  |
|                                       | Timer_B control           | TBCTL      | 0x0180  |
|                                       | Timer_B interrupt vector  | TBIV       | 0x011E  |
| Timer_A3                              | Capture/compare 2         | TACCR2     | 0x0176  |
|                                       | Capture/compare 1         | TACCR1     | 0x0174  |
|                                       | Capture/compare 0         | TACCR0     | 0x0172  |
|                                       | Timer_A counter           | TAR        | 0x0170  |
|                                       | Reserved                  |            | 0x016E  |
|                                       | Reserved                  |            | 0x016C  |
|                                       | Reserved                  |            | 0x016A  |
|                                       | Reserved                  |            | 0x0168  |
|                                       | Capture/compare control 2 | TACCTL2    | 0x0166  |
|                                       | Capture/compare control 1 | TACCTL1    | 0x0164  |
|                                       | Capture/compare control 0 | TACCTL0    | 0x0162  |
|                                       | Timer_A control           | TACTL      | 0x0160  |
|                                       | Timer_A interrupt vector  | TAIV       | 0x012E  |
|                                       | Hardware multiplier       | Sum extend | SUMEXT  |
| Result high word                      |                           | RESHI      | 0x013C  |
| Result low word                       |                           | RESLO      | 0x013A  |
| Second operand                        |                           | OP2        | 0x0138  |
| Multiply signed +accumulate/operand 1 |                           | MACS       | 0x0136  |
| Multiply+accumulate/operand 1         |                           | MAC        | 0x0134  |
| Multiply signed/operand 1             |                           | MPYS       | 0x0132  |
| Multiply unsigned/operand 1           |                           | MPY        | 0x0130  |
| Flash                                 | Flash control 4           | FCTL4      | 0x01BE  |
|                                       | Flash control 3           | FCTL3      | 0x012C  |
|                                       | Flash control 2           | FCTL2      | 0x012A  |
|                                       | Flash control 1           | FCTL1      | 0x0128  |
| Watchdog                              | Watchdog Timer control    | WDTCTL     | 0x0120  |

**Table 9-14. Peripherals File Map (continued)**

| MODULE                      | REGISTER                       | ACRONYM    | ADDRESS |
|-----------------------------|--------------------------------|------------|---------|
| USCI_A0,<br>USCI_B0         | USCI_A0 auto baud rate control | UCA0ABCTL  | 0x005D  |
|                             | USCI_A0 transmit buffer        | UCA0TXBUF  | 0x0067  |
|                             | USCI_A0 receive buffer         | UCA0RXBUF  | 0x0066  |
|                             | USCI_A0 status                 | UCA0STAT   | 0x0065  |
|                             | USCI_A0 modulation control     | UCA0MCTL   | 0x0064  |
|                             | USCI_A0 baud rate control 1    | UCA0BR1    | 0x0063  |
|                             | USCI_A0 baud rate control 0    | UCA0BR0    | 0x0062  |
|                             | USCI_A0 control 1              | UCA0CTL1   | 0x0061  |
|                             | USCI_A0 control 0              | UCA0CTL0   | 0x0060  |
|                             | USCI_A0 IrDA receive control   | UCA0IRRCTL | 0x005F  |
|                             | USCI_A0 IrDA transmit control  | UCA0IRTCLT | 0x005E  |
|                             | USCI_B0 transmit buffer        | UCB0TXBUF  | 0x006F  |
|                             | USCI_B0 receive buffer         | UCB0RXBUF  | 0x006E  |
|                             | USCI_B0 status                 | UCB0STAT   | 0x006D  |
|                             | USCI_B0 I2C Interrupt enable   | UCB0CIE    | 0x006C  |
|                             | USCI_B0 baud rate control 1    | UCB0BR1    | 0x006B  |
|                             | USCI_B0 baud rate control 0    | UCB0BR0    | 0x006A  |
|                             | USCI_B0 control 1              | UCB0CTL1   | 0x0069  |
|                             | USCI_B0 control 0              | UCB0CTL0   | 0x0068  |
|                             | USCI_B0 I2C slave address      | UCB0SA     | 0x011A  |
| USCI_B0 I2C own address     | UCB0OA                         | 0x0118     |         |
| USCI_A1,<br>USCI_B1         | USCI_A1 auto baud rate control | UCA1ABCTL  | 0x00CD  |
|                             | USCI_A1 transmit buffer        | UCA1TXBUF  | 0x00D7  |
|                             | USCI_A1 receive buffer         | UCA1RXBUF  | 0x00D6  |
|                             | USCI_A1 status                 | UCA1STAT   | 0x00D5  |
|                             | USCI_A1 modulation control     | UCA1MCTL   | 0x00D4  |
|                             | USCI_A1 baud rate control 1    | UCA1BR1    | 0x00D3  |
|                             | USCI_A1 baud rate control 0    | UCA1BR0    | 0x00D2  |
|                             | USCI_A1 control 1              | UCA1CTL1   | 0x00D1  |
|                             | USCI_A1 control 0              | UCA1CTL0   | 0x00D0  |
|                             | USCI_A1 IrDA receive control   | UCA1IRRCTL | 0x00CF  |
|                             | USCI_A1 IrDA transmit control  | UCA1IRTCLT | 0x00CE  |
|                             | USCI_B1 transmit buffer        | UCB1TXBUF  | 0x00DF  |
|                             | USCI_B1 receive buffer         | UCB1RXBUF  | 0x00DE  |
|                             | USCI_B1 status                 | UCB1STAT   | 0x00DD  |
|                             | USCI_B1 I2C Interrupt enable   | UCB1CIE    | 0x00DC  |
|                             | USCI_B1 baud rate control 1    | UCB1BR1    | 0x00DB  |
|                             | USCI_B1 baud rate control 0    | UCB1BR0    | 0x00DA  |
|                             | USCI_B1 control 1              | UCB1CTL1   | 0x00D9  |
|                             | USCI_B1 control 0              | UCB1CTL0   | 0x00D8  |
|                             | USCI_B1 I2C slave address      | UCB1SA     | 0x017E  |
| USCI_B1 I2C own address     | UCB1OA                         | 0x017C     |         |
| USCI_A1/B1 interrupt enable | UC1IE                          | 0x0006     |         |
| USCI_A1/B1 interrupt flag   | UC1IFG                         | 0x0007     |         |

**Table 9-14. Peripherals File Map (continued)**

| MODULE                 | REGISTER                               | ACRONYM | ADDRESS |
|------------------------|--|---------|---------|
| Comparator_A+          | Comparator_A port disable              | CAPD    | 0x005B  |
|                        | Comparator_A control2                  | CACTL2  | 0x005A  |
|                        | Comparator_A control1                  | CACTL1  | 0x0059  |
| Basic clock            | Basic clock system control 3           | BCSCTL3 | 0x0053  |
|                        | Basic clock system control 2           | BCSCTL2 | 0x0058  |
|                        | Basic clock system control 1           | BCSCTL1 | 0x0057  |
|                        | DCO clock frequency control            | DCOCTL  | 0x0056  |
| Brownout, SVS          | SVS control (reset by brownout signal) | SVSCTL  | 0x0055  |
| Port PA <sup>(2)</sup> | Port PA resistor enable                | PAREN   | 0x0014  |
|                        | Port PA selection                      | PASEL   | 0x003E  |
|                        | Port PA direction                      | PADIR   | 0x003C  |
|                        | Port PA output                         | PAOUT   | 0x003A  |
|                        | Port PA input                          | PAIN    | 0x0038  |
| Port P8 <sup>(2)</sup> | Port P8 resistor enable                | P8REN   | 0x0015  |
|                        | Port P8 selection                      | P8SEL   | 0x003F  |
|                        | Port P8 direction                      | P8DIR   | 0x003D  |
|                        | Port P8 output                         | P8OUT   | 0x003B  |
|                        | Port P8 input                          | P8IN    | 0x0039  |
| Port P7 <sup>(2)</sup> | Port P7 resistor enable                | P7REN   | 0x0014  |
|                        | Port P7 selection                      | P7SEL   | 0x003E  |
|                        | Port P7 direction                      | P7DIR   | 0x003C  |
|                        | Port P7 output                         | P7OUT   | 0x003A  |
|                        | Port P7 input                          | P7IN    | 0x0038  |
| Port P6                | Port P6 resistor enable                | P6REN   | 0x0013  |
|                        | Port P6 selection                      | P6SEL   | 0x0037  |
|                        | Port P6 direction                      | P6DIR   | 0x0036  |
|                        | Port P6 output                         | P6OUT   | 0x0035  |
|                        | Port P6 input                          | P6IN    | 0x0034  |
| Port P5                | Port P5 resistor enable                | P5REN   | 0x0012  |
|                        | Port P5 selection                      | P5SEL   | 0x0033  |
|                        | Port P5 direction                      | P5DIR   | 0x0032  |
|                        | Port P5 output                         | P5OUT   | 0x0031  |
|                        | Port P5 input                          | P5IN    | 0x0030  |
| Port P4                | Port P4 selection                      | P4SEL   | 0x001F  |
|                        | Port P4 resistor enable                | P4REN   | 0x0011  |
|                        | Port P4 direction                      | P4DIR   | 0x001E  |
|                        | Port P4 output                         | P4OUT   | 0x001D  |
|                        | Port P4 input                          | P4IN    | 0x001C  |
| Port P3                | Port P3 resistor enable                | P3REN   | 0x0010  |
|                        | Port P3 selection                      | P3SEL   | 0x001B  |
|                        | Port P3 direction                      | P3DIR   | 0x001A  |
|                        | Port P3 output                         | P3OUT   | 0x0019  |
|                        | Port P3 input                          | P3IN    | 0x0018  |

**Table 9-14. Peripherals File Map (continued)**

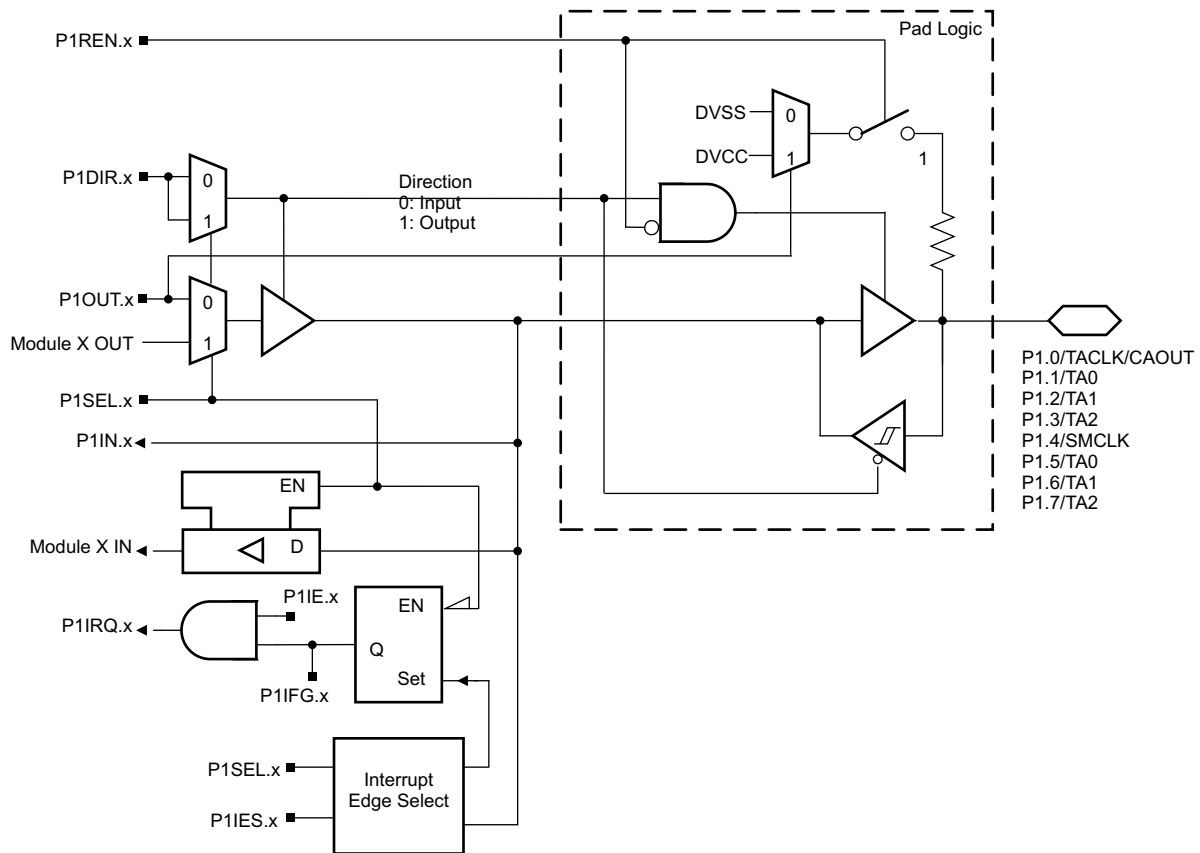
| MODULE            | REGISTER                      | ACRONYM | ADDRESS |
|-------------------|-------------------------------|---------|---------|
| Port P2           | Port P2 resistor enable       | P2REN   | 0x002F  |
|                   | Port P2 selection             | P2SEL   | 0x002E  |
|                   | Port P2 interrupt enable      | P2IE    | 0x002D  |
|                   | Port P2 interrupt-edge select | P2IES   | 0x002C  |
|                   | Port P2 interrupt flag        | P2IFG   | 0x002B  |
|                   | Port P2 direction             | P2DIR   | 0x002A  |
|                   | Port P2 output                | P2OUT   | 0x0029  |
|                   | Port P2 input                 | P2IN    | 0x0028  |
| Port P1           | Port P1 resistor enable       | P1REN   | 0x0027  |
|                   | Port P1 selection             | P1SEL   | 0x0026  |
|                   | Port P1 interrupt enable      | P1IE    | 0x0025  |
|                   | Port P1 interrupt-edge select | P1IES   | 0x0024  |
|                   | Port P1 interrupt flag        | P1IFG   | 0x0023  |
|                   | Port P1 direction             | P1DIR   | 0x0022  |
|                   | Port P1 output                | P1OUT   | 0x0021  |
|                   | Port P1 input                 | P1IN    | 0x0020  |
| Special functions | SFR interrupt flag 2          | IFG2    | 0x0003  |
|                   | SFR interrupt flag 1          | IFG1    | 0x0002  |
|                   | SFR interrupt enable 2        | IE2     | 0x0001  |
|                   | SFR interrupt enable 1        | IE1     | 0x0000  |

- (1) MSP430F261x devices only  
(2) 80-pin PN and 113-pin ZCA or ZQW devices only

## 9.10 Port Diagrams

### 9.10.1 Port P1 (P1.0 to P1.7), Input/Output With Schmitt Trigger

Figure 9-6 shows the port diagram. Table 9-15 summarizes the selection of the pin function.



**Figure 9-6. Port P1 (P1.0 to P1.7) Diagram**

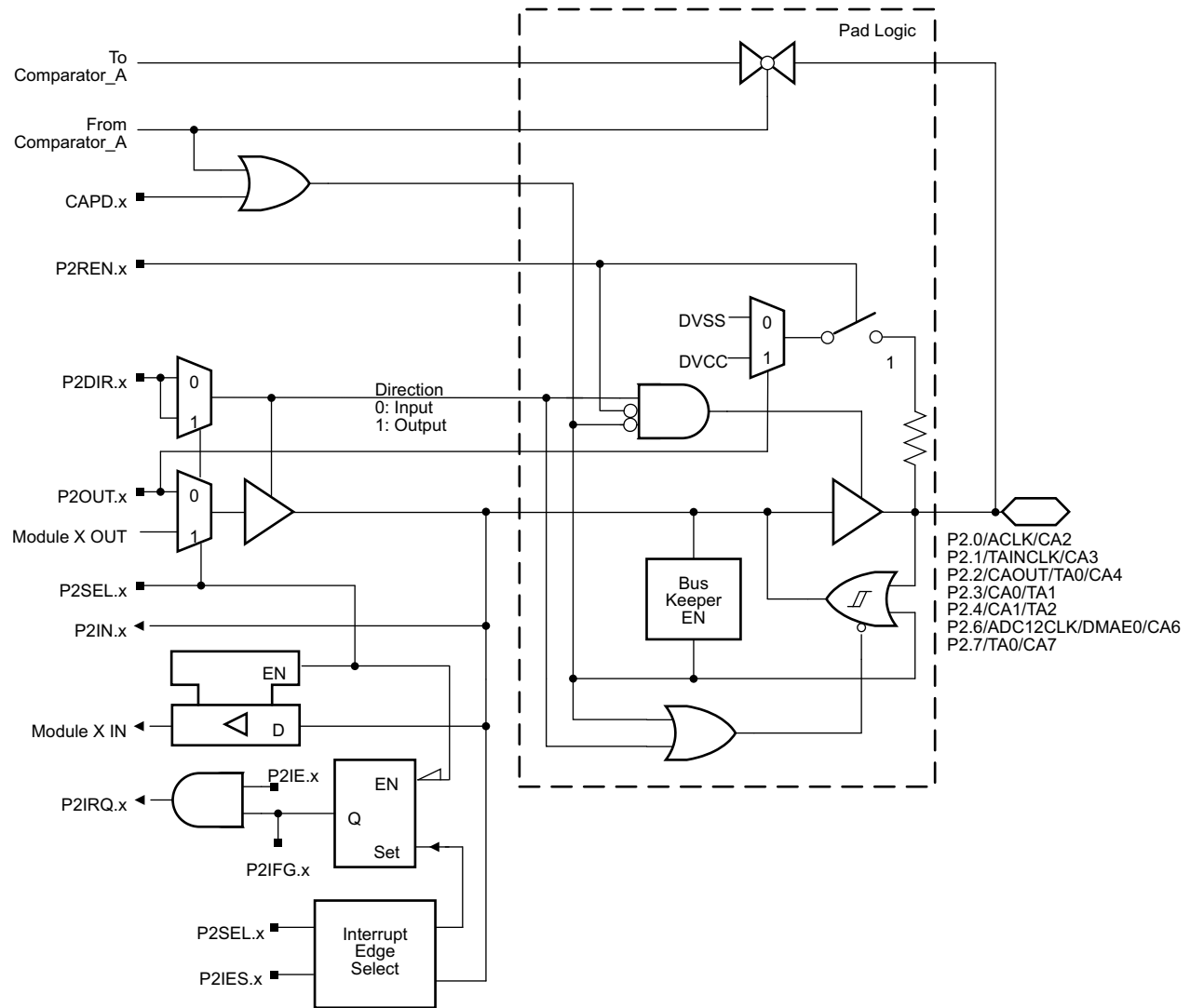


**Table 9-15. Port P1 (P1.0 to P1.7) Pin Functions**

| PIN NAME (P1.x)  | x | FUNCTION       | CONTROL BITS OR SIGNALS |         |
|------------------|---|----------------|-------------------------|---------|
|                  |   |                | P1DIR.x                 | P1SEL.x |
| P1.0/TACLK/CAOUT | 0 | P1.0 (I/O)     | 0 = Input<br>1 = Output | 0       |
|                  |   | Timer_A3.TACLK | 0                       | 1       |
|                  |   | CAOUT          | 1                       | 1       |
| P1.1/TA0         | 1 | P1.1 (I/O)     | 0 = Input<br>1 = Output | 0       |
|                  |   | Timer_A3.CCI0A | 0                       | 1       |
|                  |   | Timer_A3.TA0   | 1                       | 1       |
| P1.2/TA1         | 2 | P1.2 (I/O)     | 0 = Input<br>1 = Output | 0       |
|                  |   | Timer_A3.CCI1A | 0                       | 1       |
|                  |   | Timer_A3.TA1   | 1                       | 1       |
| P1.3/TA2         | 3 | P1.3 (I/O)     | 0 = Input<br>1 = Output | 0       |
|                  |   | Timer_A3.CCI2A | 0                       | 1       |
|                  |   | Timer_A3.TA2   | 1                       | 1       |
| P1.4/SMCLK       | 4 | P1.4 (I/O)     | 0 = Input<br>1 = Output | 0       |
|                  |   | SMCLK          | 1                       | 1       |
| P1.5/TA0         | 5 | P1.5 (I/O)     | 0 = Input<br>1 = Output | 0       |
|                  |   | Timer_A3.TA0   | 1                       | 1       |
| P1.6/TA1         | 6 | P1.6 (I/O)     | 0 = Input<br>1 = Output | 0       |
|                  |   | Timer_A3.TA1   | 1                       | 1       |
| P1.7/TA2         | 7 | P1.7 (I/O)     | 0 = Input<br>1 = Output | 0       |
|                  |   | Timer_A3.TA2   | 1                       | 1       |

### 9.10.2 Port P2 (P2.0 to P2.4, P2.6, and P2.7), Input/Output With Schmitt Trigger

Figure 9-7 shows the port diagram. Table 9-16 summarizes the selection of the pin function.



**Figure 9-7. Port P2 (P2.0 to P2.4, P2.6, and P2.7) Diagram**

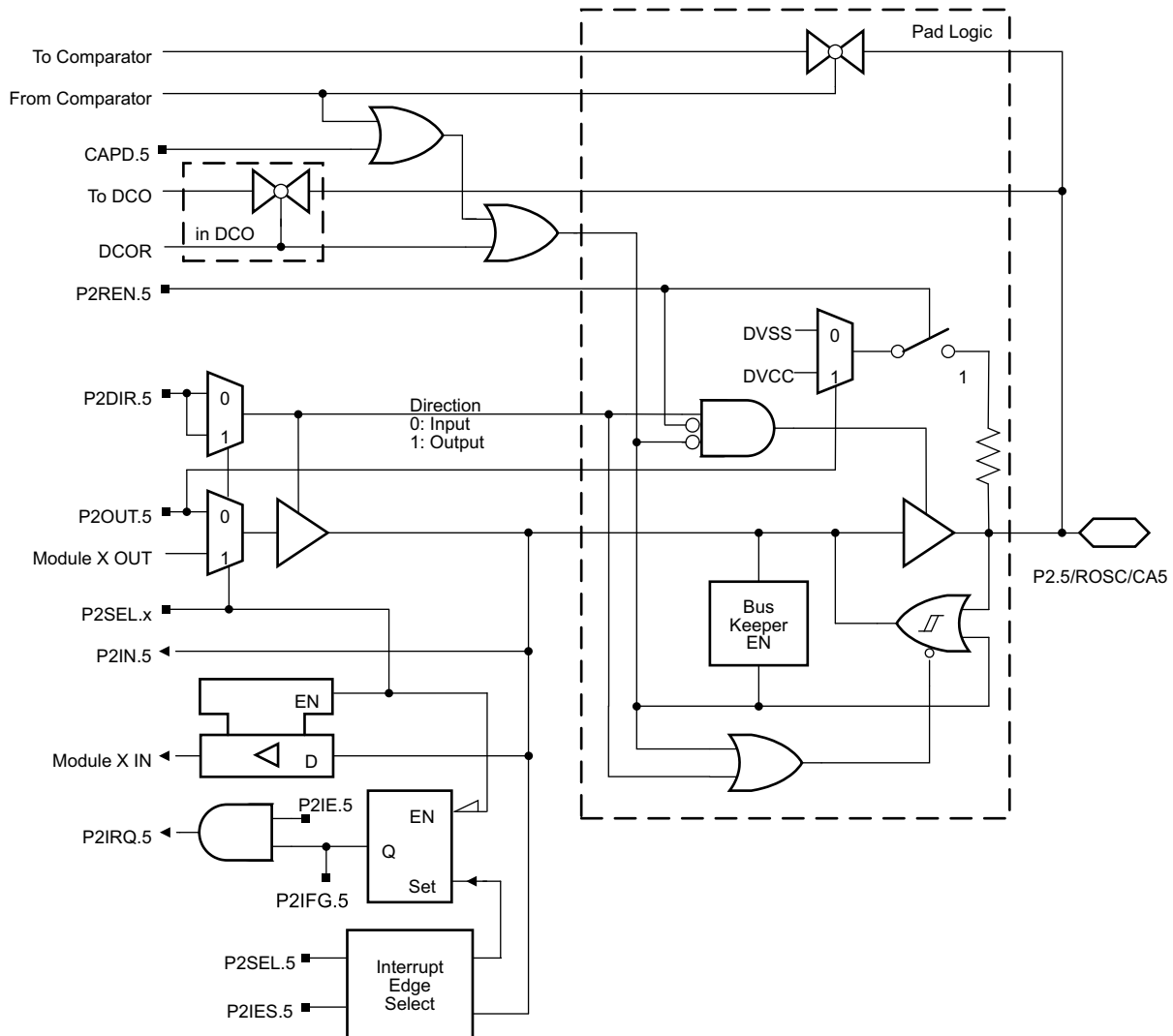
**Table 9-16. Port P2 (P2.0 to P2.4, P2.6, and P2.7) Pin Functions**

| PIN NAME (P2.x)                             | x | FUNCTION         | CONTROL BITS OR SIGNALS <sup>(1)</sup> |                         |         |
|---|---|------------------|--|-------------------------|---------|
|   |   |                  | CAPD.x                                 | P2DIR.x                 | P2SEL.x |
| P2.0/ACLK/CA2                               | 0 | P2.0 (I/O)       | 0                                      | 0 = Input<br>1 = Output | 0       |
|   |   | ACLK             | 0                                      | 1                       | 1       |
|   |   | CA2              | 1                                      | X                       | X       |
| P2.1/TAINCLK/CA3                            | 1 | P2.1 (I/O)       | 0                                      | 0 = Input<br>1 = Output | 0       |
|   |   | Timer_A3.INCLK   | 0                                      | 0                       | 1       |
|   |   | DV <sub>SS</sub> | 0                                      | 1                       | 1       |
|   |   | CA3              | 1                                      | X                       | X       |
| P2.2/CAOUT/TA0/CA4                          | 2 | P2.2 (I/O)       | 0                                      | 0 = Input<br>1 = Output | 0       |
|   |   | CAOUT            | 0                                      | 1                       | 1       |
|   |   | Timer_A3.CCI0B   | 0                                      | 0                       | 1       |
|   |   | CA4              | 1                                      | X                       | X       |
| P2.3/CA0/TA1                                | 3 | P2.3 (I/O)       | 0                                      | 0 = Input<br>1 = Output | 0       |
|   |   | Timer_A3.TA1     | 0                                      | 1                       | 1       |
|   |   | CA0              | 1                                      | X                       | X       |
| P2.4/CA1/TA2                                | 4 | P2.4 (I/O)       | 0                                      | 0 = Input<br>1 = Output | 0       |
|   |   | Timer_A3.TA2     | 0                                      | 1                       | X       |
|   |   | CA1              | 1                                      | X                       | 1       |
| P2.6/ADC12CLK/<br>DMAE0 <sup>(2)</sup> /CA6 | 6 | P2.6 (I/O)       | 0                                      | 0 = Input<br>1 = Output | 0       |
|   |   | ADC12CLK         | 0                                      | 1                       | 1       |
|   |   | DMAE0            | 0                                      | 0                       | 1       |
|   |   | CA6              | 1                                      | X                       | X       |
| P2.7/TA0/CA7                                | 7 | P2.7 (I/O)       | 0                                      | 0 = Input<br>1 = Output | 0       |
|   |   | Timer_A3.TA0     | 0                                      | 1                       | 1       |
|   |   | CA7              | 1                                      | X                       | X       |

(1) X = Don't care

### 9.10.3 Port P2 (P2.5), Input/Output With Schmitt Trigger

Figure 9-8 shows the port diagram. Table 9-17 summarizes the selection of the pin function.



**Figure 9-8. Port P2 (P2.5) Diagram**

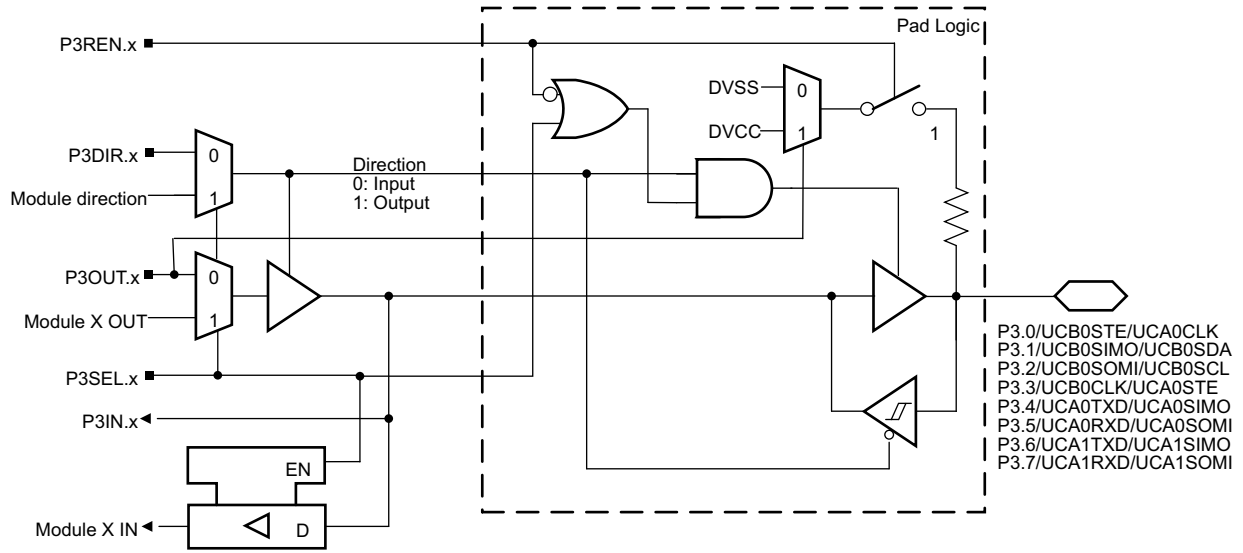
**Table 9-17. Port P2 (P2.5) Pin Functions**

| PIN NAME (P2.x)            | x | FUNCTION                        | CONTROL BITS OR SIGNALS <sup>(1)</sup> |      |                         |         |
|----------------------------|---|---------------------------------|--|------|-------------------------|---------|
|                            |   |                                 | CAPD                                   | DCOR | P2DIR.5                 | P2SEL.5 |
| P2.5/R <sub>osc</sub> /CA5 | 5 | P2.5 (I/O)                      | 0                                      | 0    | 0 = Input<br>1 = Output | 0       |
|                            |   | R <sub>osc</sub> <sup>(1)</sup> | 0                                      | 1    | X                       | X       |
|                            |   | DV <sub>ss</sub>                | 0                                      | 0    | 1                       | 1       |
|                            |   | CA5                             | 1 or selected                          | 0    | X                       | X       |

(1) If R<sub>osc</sub> is used, it is connected to an external resistor.

### 9.10.4 Port P3 (P3.0 to P3.7), Input/Output With Schmitt Trigger

Figure 9-9 shows the port diagram. Table 9-18 summarizes the selection of the pin function.



**Figure 9-9. Port P3 (P3.0 to P3.7) Diagram**

**Table 9-18. Port P3 (P3.0 to P3.7) Pin Functions**

| PIN NAME (P3.x)           | x | FUNCTION                            | CONTROL BITS OR SIGNALS <sup>(1)</sup> |         |
|---------------------------|---|-------------------------------------|--|---------|
|                           |   |                                     | P3DIR.x                                | P3SEL.x |
| P3.0/UCB0STE/<br>UCA0CLK  | 0 | P3.0 (I/O)                          | 0 = Input<br>1 = Output                | 0       |
|                           |   | UCB0STE/UCA0CLK <sup>(1) (3)</sup>  | X                                      | 1       |
| P3.1/UCB0SIMO/<br>UCB0SDA | 1 | P3.1 (I/O)                          | 0 = Input<br>1 = Output                | 0       |
|                           |   | UCB0SIMO/UCB0SDA <sup>(1) (2)</sup> | X                                      | 1       |
| P3.2/UCB0SOMI/<br>UCB0SCL | 2 | P3.2 (I/O)                          | 0 = Input<br>1 = Output                | 0       |
|                           |   | UCB0SOMI/UCB0SCL <sup>(1) (2)</sup> | X                                      | 1       |
| P3.3/UCB0CLK/<br>UCA0STE  | 3 | P3.3 (I/O)                          | 0 = Input<br>1 = Output                | 0       |
|                           |   | UCB0CLK/UCA0STE <sup>(1) (4)</sup>  | X                                      | 1       |
| P3.4/UCA0TXD/<br>UCA0SIMO | 4 | P3.4 (I/O)                          | 0 = Input<br>1 = Output                | 0       |
|                           |   | UCA0TXD/UCA0SIMO <sup>(1)</sup>     | X                                      | 1       |
| P3.5/UCA0RXD/<br>UCA0SOMI | 5 | P3.5 (I/O)                          | 0 = Input<br>1 = Output                | 0       |
|                           |   | UCA0RXD/UCA0SOMI <sup>(1)</sup>     | X                                      | 1       |
| P3.6/UCA1TXD/<br>UCA1SIMO | 6 | P3.6 (I/O)                          | 0 = Input<br>1 = Output                | 0       |
|                           |   | UCA1TXD/UCA1SIMO <sup>(1)</sup>     | X                                      | 1       |
| P3.7/UCA1RXD/<br>UCA1SOMI | 7 | P3.7 (I/O)                          | 0 = Input<br>1 = Output                | 0       |
|                           |   | UCA1RXD/UCA1SOMI <sup>(1)</sup>     | X                                      | 1       |

- (1) The pin direction is controlled by the USC1 module.  
(2) If the I<sup>2</sup>C functionality is selected, the output drives only the logical 0 to V<sub>SS</sub> level.  
(3) UCA0CLK function takes precedence over UCB0STE function. If the pin is required as UCA0CLK input or output, USC1\_B0 is forced to 3-wire SPI mode if 4-wire SPI mode is selected.  
(4) UCB0CLK function takes precedence over UCA0STE function. If the pin is required as UCB0CLK input or output, USC1\_A0 is forced to 3-wire SPI mode if 4-wire SPI mode is selected.

### 9.10.5 Port P4 (P4.0 to P4.7), Input/Output With Schmitt Trigger

Figure 9-10 shows the port diagram. Table 9-19 summarizes the selection of the pin function.

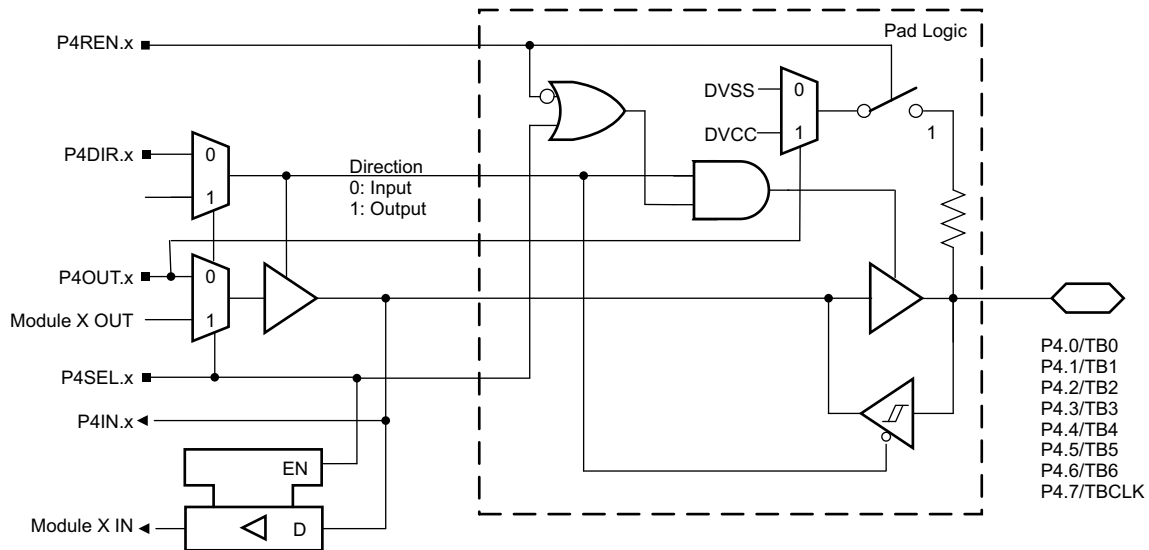


Figure 9-10. Port P4 (P4.0 to P4.7) Diagram

Table 9-19. Port P4 (P4.0 to P4.7) Pin Functions

| PIN NAME (P4.x) | x | FUNCTION                          | CONTROL BITS OR SIGNALS <sup>(1)</sup> |         |
|-----------------|---|-----------------------------------|--|---------|
|                 |   |                                   | P4DIR.x                                | P4SEL.x |
| P4.0/TB0        | 0 | P4.0 (I/O)                        | 0 = Input<br>1 = Output                | 0       |
|                 |   | Timer_B7.CCI0A and Timer_B7.CCI0B | 0                                      | 1       |
|                 |   | Timer_B7.TB0                      | 1                                      | 1       |
| P4.1/TB1        | 1 | P4.1 (I/O)                        | 0 = Input<br>1 = Output                | 0       |
|                 |   | Timer_B7.CCI1A and Timer_B7.CCI1B | 0                                      | 1       |
|                 |   | Timer_B7.TB1                      | 1                                      | 1       |
| P4.2/TB2        | 2 | P4.2 (I/O)                        | 0 = Input<br>1 = Output                | 0       |
|                 |   | Timer_B7.CCI2A and Timer_B7.CCI2B | 0                                      | 1       |
|                 |   | Timer_B7.TB2                      | 1                                      | 1       |
| P4.3/TB3        | 3 | P4.3 (I/O)                        | 0 = Input<br>1 = Output                | 0       |
|                 |   | Timer_B7.CCI3A and Timer_B7.CCI3B | 0                                      | 1       |
|                 |   | Timer_B7.TB3                      | 1                                      | 1       |
| P4.4/TB4        | 4 | P4.4 (I/O)                        | 0 = Input<br>1 = Output                | 0       |
|                 |   | Timer_B7.CCI4A and Timer_B7.CCI4B | 0                                      | 1       |
|                 |   | Timer_B7.TB4                      | 1                                      | 1       |
| P4.5/TB5        | 5 | P4.5 (I/O)                        | 0 = Input<br>1 = Output                | 0       |
|                 |   | Timer_B7.CCI5A and Timer_B7.CCI5B | 0                                      | 1       |
|                 |   | Timer_B7.TB5                      | 1                                      | 1       |

**Table 9-19. Port P4 (P4.0 to P4.7) Pin Functions (continued)**

| PIN NAME (P4.x) | x | FUNCTION                          | CONTROL BITS OR SIGNALS <sup>(1)</sup> |         |
|-----------------|---|-----------------------------------|--|---------|
|                 |   |                                   | P4DIR.x                                | P4SEL.x |
| P4.6/TB6        | 6 | P4.6 (I/O)                        | 0 = Input<br>1 = Output                | 0       |
|                 |   | Timer_B7.CCI6A and Timer_B7.CCI6B | 0                                      | 1       |
|                 |   | Timer_B7.TB6                      | 1                                      | 1       |
| P4.7/TBCLK      | 7 | P4.7 (I/O)                        | 0 = Input<br>1 = Output                | 0       |
|                 |   | Timer_B7.TBCLK                    | 0                                      | 1       |



### 9.10.6 Port P5 (P5.0 to P5.7), Input/Output With Schmitt Trigger

Figure 9-11 shows the port diagram. Table 9-20 summarizes the selection of the pin function.

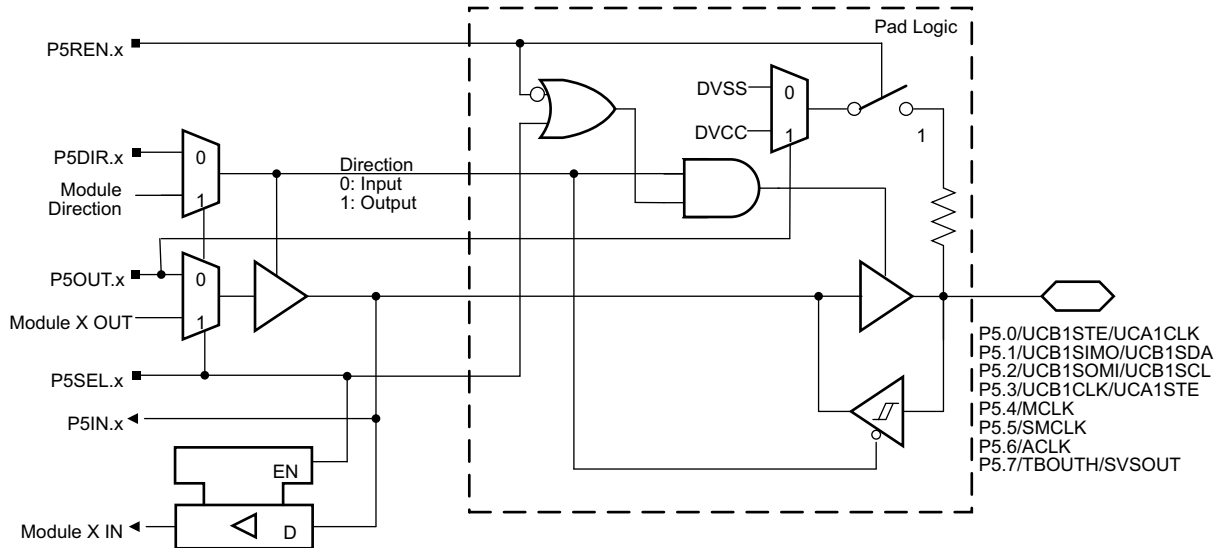


Figure 9-11. Port P5 (P5.0 to P5.7) Diagram

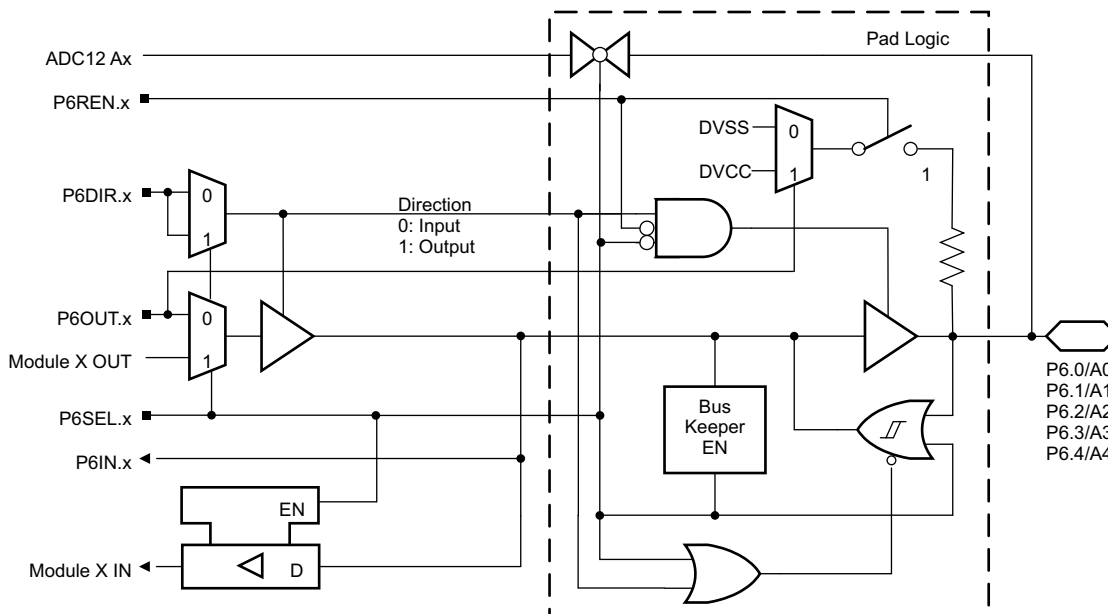
Table 9-20. Port P5 (P5.0 to P5.7) Pin Functions

| PIN NAME (P5.x)           | x | FUNCTION                            | CONTROL BITS OR SIGNALS <sup>(1)</sup> |         |
|---------------------------|---|-------------------------------------|--|---------|
|                           |   |                                     | P5DIR.x                                | P5SEL.x |
| P5.0/UCB1STE/<br>UCA1CLK  | 0 | P5.0 (I/O)                          | 0 = Input<br>1 = Output                | 0       |
|                           |   | UCB1STE/UCA1CLK <sup>(1) (1)</sup>  | X                                      | 1       |
| P5.1/UCB1SIMO/<br>UCB1SDA | 1 | P5.1 (I/O)                          | 0 = Input<br>1 = Output                | 0       |
|                           |   | UCB1SIMO/UCB1SDA <sup>(1) (2)</sup> | X                                      | 1       |
| P5.2/UCB1SOMI/<br>UCB1SCL | 2 | P5.2 (I/O)                          | 0 = Input<br>1 = Output                | 0       |
|                           |   | UCB1SOMI/UCB1SCL <sup>(1) (2)</sup> | X                                      | 1       |
| P5.3/UCB1CLK/<br>UCA1STE  | 3 | P5.3 (I/O)                          | 0 = Input<br>1 = Output                | 0       |
|                           |   | UCB1CLK/UCA1STE <sup>(1)</sup>      | X                                      | 1       |
| P5.4/MCLK                 | 4 | P5.0 (I/O)                          | 0 = Input<br>1 = Output                | 0       |
|                           |   | MCLK                                | 1                                      | 1       |
| P5.5/SMCLK                | 5 | P5.1 (I/O)                          | 0 = Input<br>1 = Output                | 0       |
|                           |   | SMCLK                               | 1                                      | 1       |
| P5.6/ACLK                 | 6 | P5.2 (I/O)                          | 0 = Input<br>1 = Output                | 0       |
|                           |   | ACLK                                | 1                                      | 1       |
| P5.7/TBOUTH/SVSOUT        | 7 | P5.7 (I/O)                          | 0 = Input<br>1 = Output                | 0       |
|                           |   | TBOUTH                              | 0                                      | 1       |
|                           |   | SVSOUT                              | 1                                      | 1       |

(1) UCA1CLK function takes precedence over UCB1STE function. If the pin is required as UCA1CLK input or output, USCI\_B1 is forced to 3-wire SPI mode if 4-wire SPI mode is selected.

### 9.10.7 Port P6 (P6.0 to P6.4), Input/Output With Schmitt Trigger

Figure 9-12 shows the port diagram. Table 9-21 summarizes the selection of the pin function.



**Figure 9-12. Port P6 (P6.0 to P6.4) Diagram**

**Table 9-21. Port P6 (P6.0 to P6.4) Pin Functions**

| PIN NAME (P6.x) | x | FUNCTION          | CONTROL BITS OR SIGNALS <sup>(1)</sup> |         |           |
|-----------------|---|-------------------|--|---------|-----------|
|                 |   |                   | P6DIR.x                                | P6SEL.x | INCH.x    |
| P6.0/A0         | 0 | P6.0 (I/O)        | 0 = Input<br>1 = Output                | 0       | 0         |
|                 |   | A0 <sup>(1)</sup> | X                                      | 1       | 1 (y = 0) |
| P6.1/A1         | 1 | P6.1 (I/O)        | 0 = Input<br>1 = Output                | 0       | 0         |
|                 |   | A1 <sup>(1)</sup> | X                                      | 1       | 1 (y = 1) |
| P6.2/A2         | 2 | P6.2 (I/O)        | 0 = Input<br>1 = Output                | 0       | 0         |
|                 |   | A2 <sup>(1)</sup> | X                                      | 1       | 1 (y = 2) |
| P6.3/A3         | 3 | P6.3 (I/O)        | 0 = Input<br>1 = Output                | 0       | 0         |
|                 |   | A3 <sup>(1)</sup> | X                                      | 1       | 1 (y = 3) |
| P6.4/A4         | 4 | P6.4 (I/O)        | 0 = Input<br>1 = Output                | 0       | 0         |
|                 |   | A4 <sup>(1)</sup> | X                                      | 1       | 1 (y = 4) |

(1) The ADC12 channel Ax is connected to AV<sub>SS</sub> internally if not selected.

### 9.10.8 Port P6 (P6.5 and P6.6), Input/Output With Schmitt Trigger

Figure 9-13 shows the port diagram. Table 9-22 summarizes the selection of the pin function.

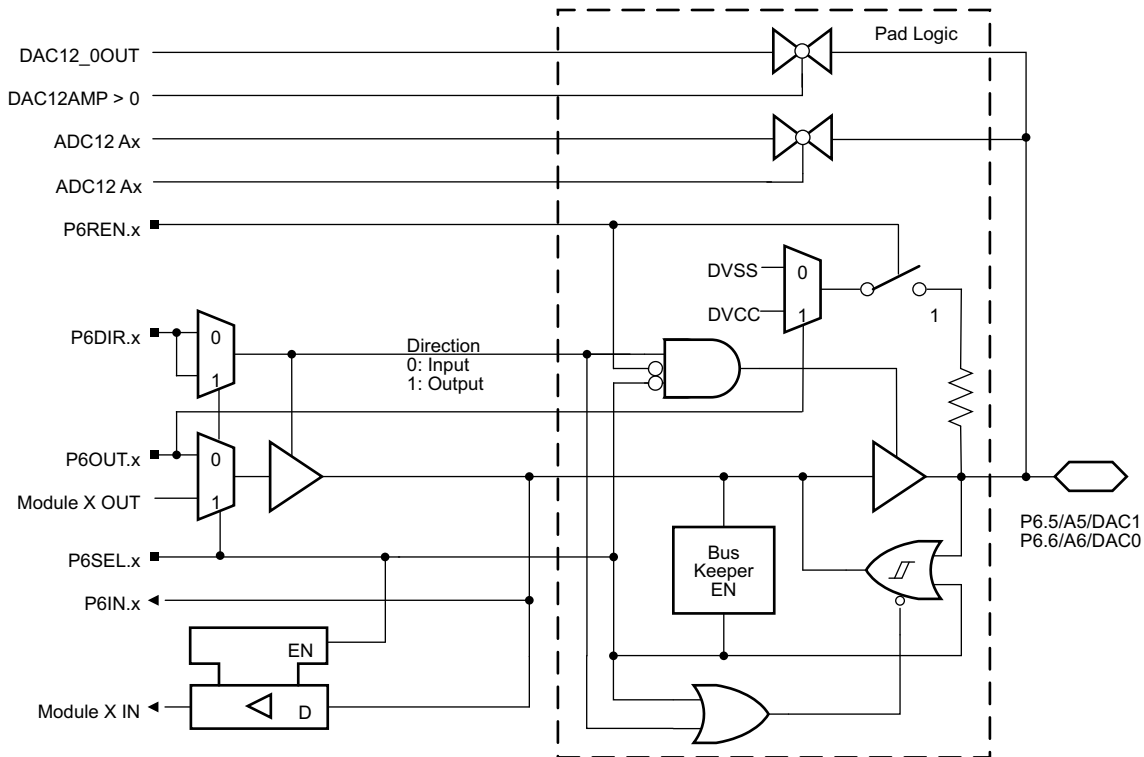


Figure 9-13. Port P6 (P6.5 and P6.6) Diagram

Table 9-22. Port P6 (P6.5 and P6.6) Pin Functions

| PIN NAME (P6.x)             | x | FUNCTION                           | CONTROL BITS OR SIGNALS <sup>(1)</sup> |         |              |           |
|-----------------------------|---|------------------------------------|--|---------|--------------|-----------|
|                             |   |                                    | P6DIR.x                                | P6SEL.x | DAC12AMP > 0 | INCH.y    |
| P6.5/A5/DAC1 <sup>(2)</sup> | 5 | P6.5 (I/O)                         | 0 = Input<br>1 = Output                | 0       | 0            | 0         |
|                             |   | DV <sub>SS</sub>                   | 1                                      | 1       | 0            | 0         |
|                             |   | A5 <sup>(1)</sup>                  | X                                      | X       | 0            | 1 (y = 5) |
|                             |   | DAC1 (DAC12OPS = 1) <sup>(1)</sup> | X                                      | X       | 1            | 0         |
| P6.6/A6/DAC0 <sup>(2)</sup> | 6 | P6.6 (I/O)                         | 0 = Input<br>1 = Output                | 0       | 0            | 0         |
|                             |   | DV <sub>SS</sub>                   | 1                                      | 1       | 0            | 0         |
|                             |   | A6 <sup>(1)</sup>                  | X                                      | X       | 0            | 1 (y = 6) |
|                             |   | DAC0 (DAC12OPS = 0) <sup>(1)</sup> | X                                      | X       | 1            | 0         |

- (1) The DAC outputs are floating if not selected.  
(2) MSP430F261x devices only

### 9.10.9 Port P6 (P6.7), Input/Output With Schmitt Trigger

Figure 9-14 shows the port diagram. Table 9-23 summarizes the selection of the pin function.

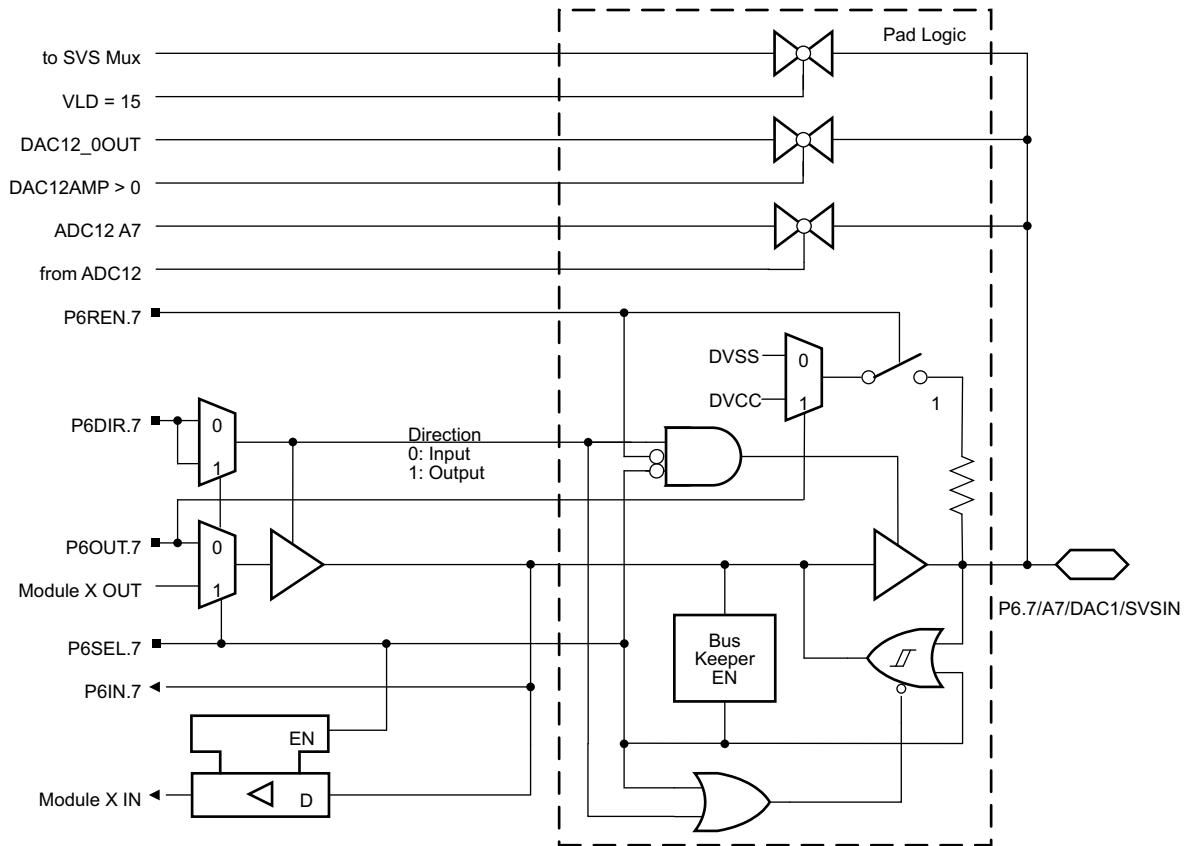


Figure 9-14. Port P6 (P6.7) Diagram

Table 9-23. Port P6 (P6.7) Pin Functions

| PIN NAME (P6.x)                                       | x | FUNCTION                           | CONTROL BITS OR SIGNALS <sup>(1)</sup> |         |           |            |
|---|---|------------------------------------|--|---------|-----------|------------|
|   |   |                                    | P6DIR.x                                | P6SEL.x | INCH.y    | DAC12AMP>0 |
| P6.7/A7/DAC1 <sup>(2)</sup> /<br>SVSIN <sup>(2)</sup> | 7 | P6.7 (I/O)                         | 0 = Input<br>1 = Output                | 0       | 0         | 0          |
|   |   | DV <sub>SS</sub>                   | 1                                      | 1       | 0         | 0          |
|   |   | A7 <sup>(1)</sup>                  | X                                      | 1       | 1 (y = 7) | 0          |
|   |   | DAC1 (DAC12OPS = 0) <sup>(1)</sup> | X                                      | 1       | 0         | 1          |
|   |   | SVSIN (VLD = 15)                   | X                                      | 1       | 0         | 0          |

### 9.10.10 Port P7 (P7.0 to P7.7), Input/Output With Schmitt Trigger

Port P7 is available on 80-pin PN and 113-pin ZCA or ZQW devices only.

Figure 9-15 shows the port diagram. Table 9-24 summarizes the selection of the pin function.

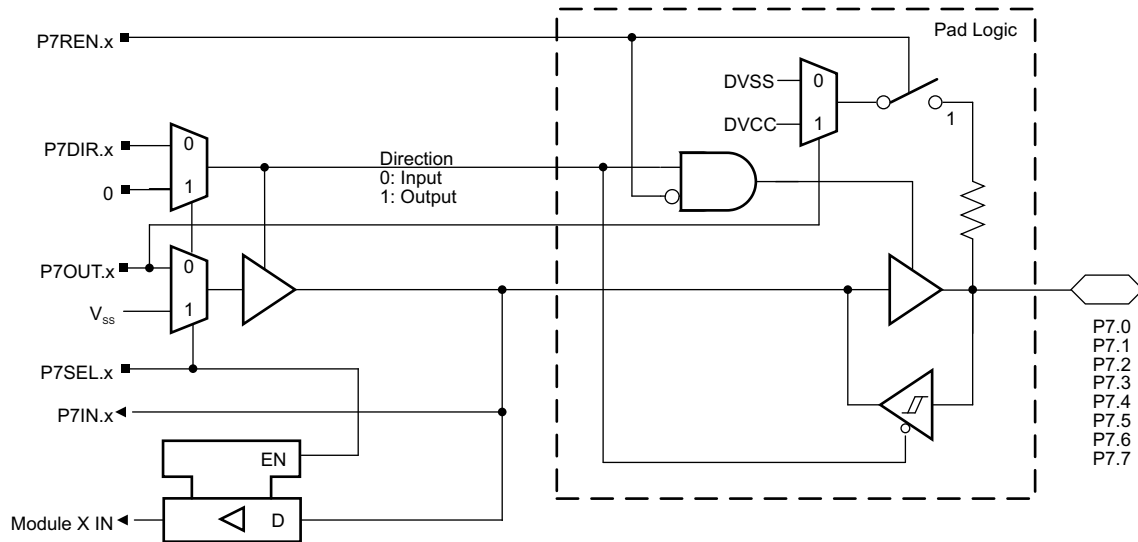


Figure 9-15. Port P7 (P7.0 to P7.7) Diagram

Table 9-24. Port P7 (P7.0 to P7.7) Pin Functions

| PIN NAME (P7.x) | x | FUNCTION   | CONTROL BITS OR SIGNALS <sup>(1)</sup> |         |
|-----------------|---|------------|--|---------|
|                 |   |            | P7DIR.x                                | P7SEL.x |
| P7.0            | 0 | P7.0 (I/O) | 0 = Input<br>1 = Output                | 0       |
|                 |   | Input      | X                                      | 1       |
| P7.1            | 1 | P7.1 (I/O) | 0 = Input<br>1 = Output                | 0       |
|                 |   | Input      | X                                      | 1       |
| P7.2            | 2 | P7.2 (I/O) | 0 = Input<br>1 = Output                | 0       |
|                 |   | Input      | X                                      | 1       |
| P7.3            | 3 | P7.3 (I/O) | 0 = Input<br>1 = Output                | 0       |
|                 |   | Input      | X                                      | 1       |
| P7.4            | 4 | P7.4 (I/O) | 0 = Input<br>1 = Output                | 0       |
|                 |   | Input      | X                                      | 1       |
| P7.5            | 5 | P7.5 (I/O) | 0 = Input<br>1 = Output                | 0       |
|                 |   | Input      | X                                      | 1       |
| P7.6            | 6 | P7.6 (I/O) | 0 = Input<br>1 = Output                | 0       |
|                 |   | Input      | X                                      | 1       |
| P7.7            | 7 | P7.7 (I/O) | 0 = Input<br>1 = Output                | 0       |
|                 |   | Input      | X                                      | 1       |

### 9.10.11 Port P8 (P8.0 to P8.5), Input/Output With Schmitt Trigger

Port P8 is available on 80-pin PN and 113-pin ZCA or ZQW devices only.

Figure 9-16 shows the port diagram. Table 9-25 summarizes the selection of the pin function.

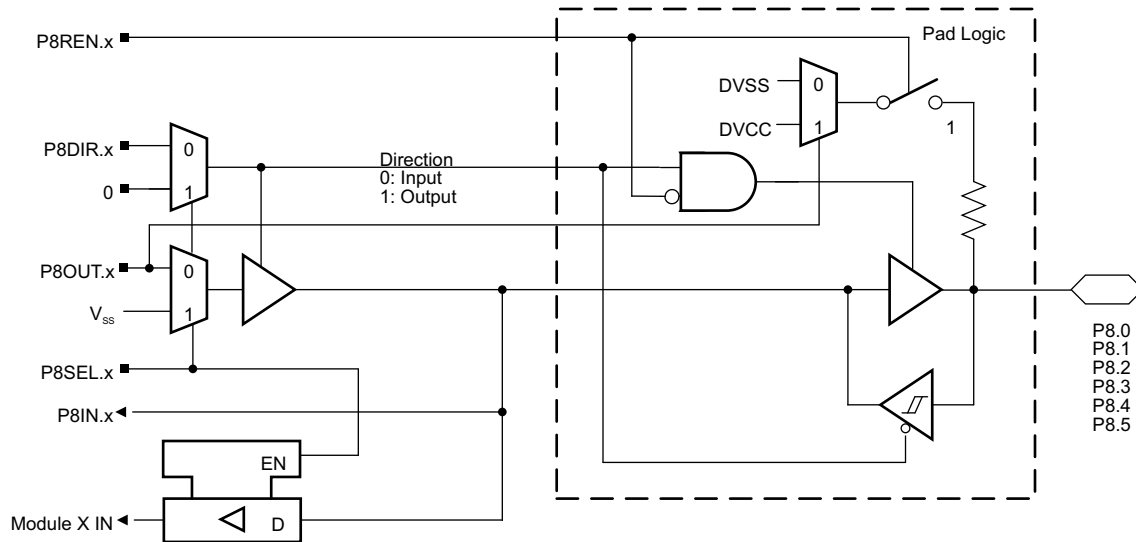


Figure 9-16. Port P8 (P8.0 to P8.5) Diagram

Table 9-25. Port P8 (P8.0 to P8.5) Pin Functions

| PIN NAME (P8.x) | x | FUNCTION   | CONTROL BITS OR SIGNALS <sup>(1)</sup> |         |
|-----------------|---|------------|--|---------|
|                 |   |            | P8DIR.x                                | P8SEL.x |
| P8.0            | 0 | P8.0 (I/O) | 0 = Input<br>1 = Output                | 0       |
|                 |   | Input      | X                                      | 1       |
| P8.1            | 1 | P8.1 (I/O) | 0 = Input<br>1 = Output                | 0       |
|                 |   | Input      | X                                      | 1       |
| P8.2            | 2 | P8.2 (I/O) | 0 = Input<br>1 = Output                | 0       |
|                 |   | Input      | X                                      | 1       |
| P8.3            | 3 | P8.3 (I/O) | 0 = Input<br>1 = Output                | 0       |
|                 |   | Input      | X                                      | 1       |
| P8.4            | 4 | P8.4 (I/O) | 0 = Input<br>1 = Output                | 0       |
|                 |   | Input      | X                                      | 1       |
| P8.5            | 5 | P8.5 (I/O) | 0 = Input<br>1 = Output                | 0       |
|                 |   | Input      | X                                      | 1       |

**9.10.12 Port P8 (P8.6), Input/Output With Schmitt Trigger**

Port P8 is available on 80-pin PN and 113-pin ZCA or ZQW devices only.

Figure 9-17 shows the port diagram. Table 9-26 summarizes the selection of the pin function.

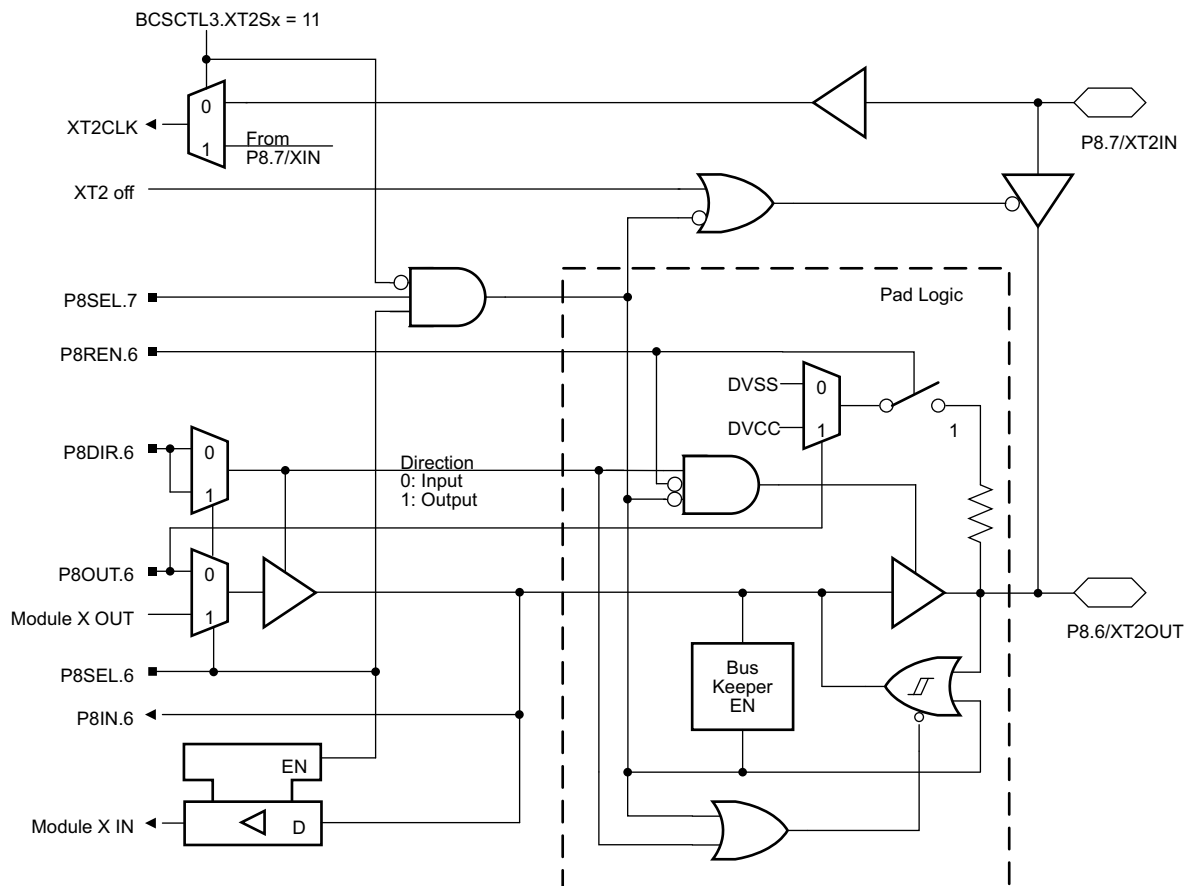


Figure 9-17. Port P8 (P8.6) Diagram

Table 9-26. Port P8 (P8.6) Pin Functions

| PIN NAME (P8.x) | x | FUNCTION         | CONTROL BITS OR SIGNALS |         |
|-----------------|---|------------------|-------------------------|---------|
|                 |   |                  | P8DIR.x                 | P8SEL.x |
| P8.6/XT2OUT     | 6 | P8.6 (I/O)       | 0 = Input<br>1 = Output | 0       |
|                 |   | XT2OUT (default) | 0                       | 1       |
|                 |   | DV <sub>SS</sub> | 1                       | 1       |

### 9.10.13 Port P8 (P8.7), Input/Output With Schmitt Trigger

Port P8 is available on 80-pin PN and 113-pin ZCA or ZQW devices only.

Figure 9-18 shows the port diagram. Table 9-27 summarizes the selection of the pin function.

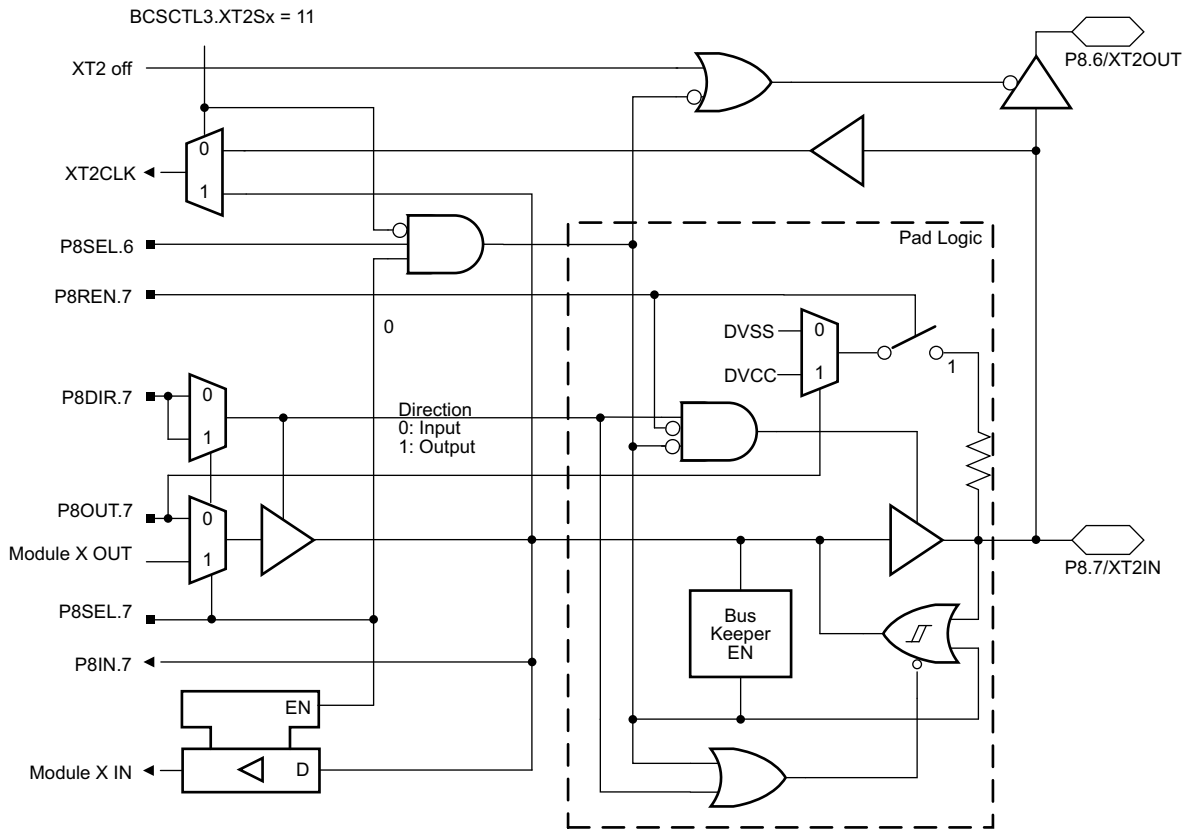


Figure 9-18. Port P8 (P8.7) Diagram

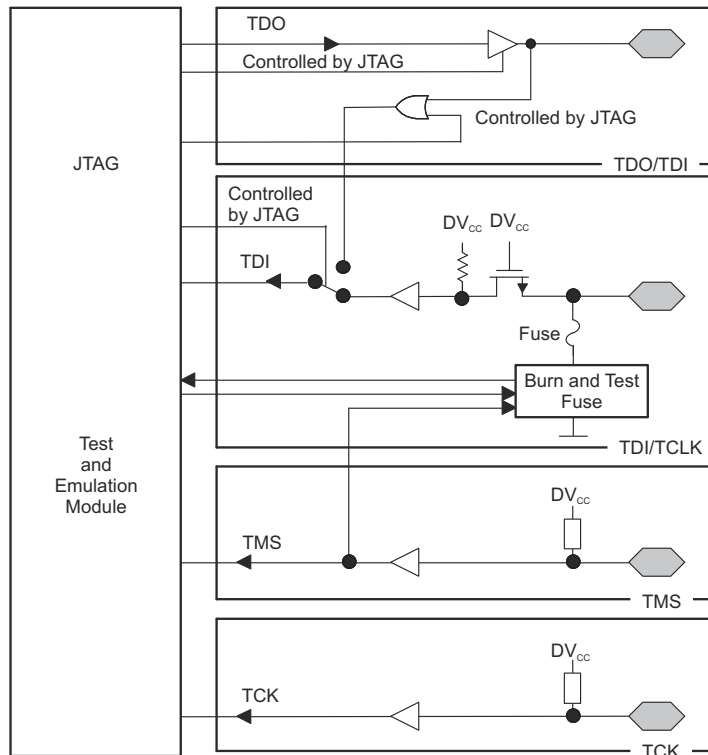
Table 9-27. Port P8 (P8.7) Pin Functions

| PIN NAME (P8.x) | x | FUNCTION        | CONTROL BITS OR SIGNALS |         |
|-----------------|---|-----------------|-------------------------|---------|
|                 |   |                 | P8DIR.x                 | P8SEL.x |
| P8.7/XT2IN      | 7 | P8.7 (I/O)      | 0 = Input<br>1 = Output | 0       |
|                 |   | XT2IN (default) | 0                       | 1       |
|                 |   | V <sub>ss</sub> | 1                       | 1       |



### 9.10.14 JTAG Pins (TMS, TCK, TDI/TCLK, TDO/TDI) Input/Output With Schmitt Trigger

Figure 9-19 shows the port diagram.



During programming activity and during blowing of the fuse, pin TDO/TDI is used to apply the test input data for JTAG circuitry.

**Figure 9-19. JTAG Pins (TMS, TCK, TDI/TCLK, TDO/TDI) Diagram**

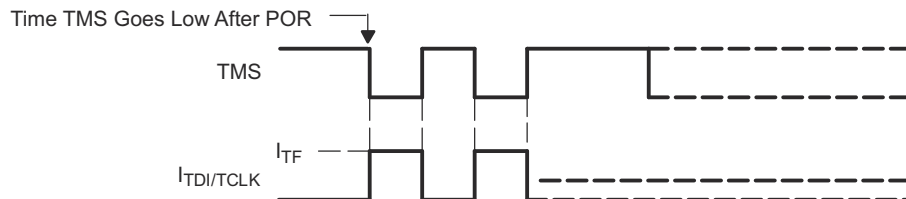
### 9.10.15 JTAG Fuse Check Mode

MSP430 devices that have the fuse on the TEST terminal have a fuse check mode that tests the continuity of the fuse the first time the JTAG port is accessed after a power-on reset (POR). When activated, a fuse check current ( $I_{TF}$ ) of 1 mA at 3 V or 2.5 mA at 5 V can flow from the TEST pin to ground if the fuse is not burned. Take care to avoid accidentally activating the fuse check mode and increasing overall system power consumption.

When the TEST pin is again taken low after a test or programming session, the fuse check mode and sense currents are terminated.

Activation of the fuse check mode occurs with the first negative edge on the TMS pin after power up or if TMS is being held low during power up. The second positive edge on the TMS pin deactivates the fuse check mode. After deactivation, the fuse check mode remains inactive until another POR occurs. After each POR, the fuse check mode has the potential to be activated.

The fuse check current flows only when the fuse check mode is active and the TMS pin is in a low state (see Figure 9-20). Therefore, the additional current flow can be prevented by holding the TMS pin high (default condition).



**Figure 9-20. Fuse Check Mode Current**

## 10 Device and Documentation Support

### 10.1 Getting Started

For more information on the MSP430 family of devices and the tools and libraries that are available to help with your development, visit the [MSP430™ ultra-low-power sensing & measurement MCUs overview](#).

### 10.2 Device Nomenclature

To designate the stages in the product development cycle, TI assigns prefixes to the part numbers of all MSP MCU devices. Each MSP MCU commercial family member has one of two prefixes: MSP or XMS. These prefixes represent evolutionary stages of product development from engineering prototypes (XMS) through fully qualified production devices (MSP).

**XMS** – Experimental device that is not necessarily representative of the final device's electrical specifications

**MSP** – Fully qualified production device

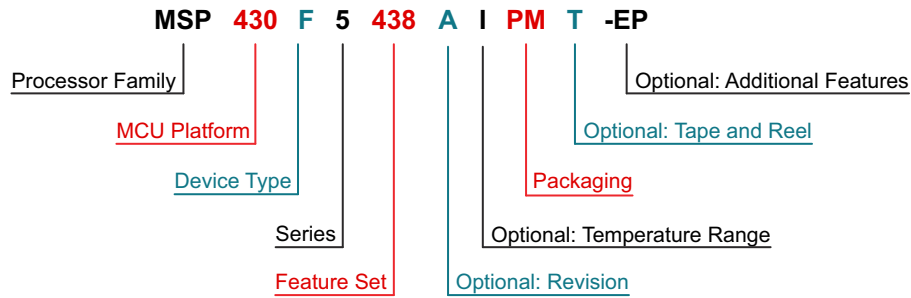
XMS devices are shipped against the following disclaimer:

"Developmental product is intended for internal evaluation purposes."

MSP devices have been characterized fully, and the quality and reliability of the device have been demonstrated fully. TI's standard warranty applies.

Predictions show that prototype devices (XMS) have a greater failure rate than the standard production devices. TI recommends that these devices not be used in any production system because their expected end-use failure rate still is undefined. Only qualified production devices are to be used.

TI device nomenclature also includes a suffix with the device family name. This suffix indicates the temperature range, package type, and distribution format. [Figure 10-1](#) provides a legend for reading the complete device name.



|   |  |   |   |
|---|--|---|---|
| <b>Processor Family</b>   | CC = Embedded RF Radio<br>MSP = Mixed-Signal Processor<br>XMS = Experimental Silicon<br>PMS = Prototype Device   |   |   |
| <b>MCU Platform</b>   | 430 = MSP430 low-power microcontroller platform  |   |   |
| <b>Device Type</b>  | <table border="0" style="width: 100%;"> <tr> <td style="vertical-align: top;"><b>Memory Type</b><br/>C = ROM<br/>F = Flash<br/>FR = FRAM<br/>G = Flash<br/>L = No nonvolatile memory</td> <td style="vertical-align: top;"><b>Specialized Application</b><br/>AFE = Analog front end<br/>BQ = Contactless power<br/>CG = ROM medical<br/>FE = Flash energy meter<br/>FG = Flash medical<br/>FW = Flash electronic flow meter</td> </tr> </table> | <b>Memory Type</b><br>C = ROM<br>F = Flash<br>FR = FRAM<br>G = Flash<br>L = No nonvolatile memory | <b>Specialized Application</b><br>AFE = Analog front end<br>BQ = Contactless power<br>CG = ROM medical<br>FE = Flash energy meter<br>FG = Flash medical<br>FW = Flash electronic flow meter |
| <b>Memory Type</b><br>C = ROM<br>F = Flash<br>FR = FRAM<br>G = Flash<br>L = No nonvolatile memory | <b>Specialized Application</b><br>AFE = Analog front end<br>BQ = Contactless power<br>CG = ROM medical<br>FE = Flash energy meter<br>FG = Flash medical<br>FW = Flash electronic flow meter  |   |   |
| <b>Series</b>   | <table border="0" style="width: 100%;"> <tr> <td style="vertical-align: top;">1 = Up to 8 MHz<br/>2 = Up to 16 MHz<br/>3 = Legacy<br/>4 = Up to 16 MHz with LCD driver</td> <td style="vertical-align: top;">5 = Up to 25 MHz<br/>6 = Up to 25 MHz with LCD driver<br/>0 = Low-voltage series</td> </tr> </table>  | 1 = Up to 8 MHz<br>2 = Up to 16 MHz<br>3 = Legacy<br>4 = Up to 16 MHz with LCD driver             | 5 = Up to 25 MHz<br>6 = Up to 25 MHz with LCD driver<br>0 = Low-voltage series  |
| 1 = Up to 8 MHz<br>2 = Up to 16 MHz<br>3 = Legacy<br>4 = Up to 16 MHz with LCD driver             | 5 = Up to 25 MHz<br>6 = Up to 25 MHz with LCD driver<br>0 = Low-voltage series   |   |   |
| <b>Feature Set</b>  | Various levels of integration within a series  |   |   |
| <b>Optional: Revision</b>   | Updated version of the base part number  |   |   |
| <b>Optional: Temperature Range</b>  | S = 0°C to 50°C<br>C = 0°C to 70°C<br>I = -40°C to 85°C<br>T = -40°C to 105°C  |   |   |
| <b>Packaging</b>  | <a href="http://www.ti.com/packaging">http://www.ti.com/packaging</a>  |   |   |
| <b>Optional: Tape and Reel</b>  | T = Small reel<br>R = Large reel<br>No markings = Tube or tray   |   |   |
| <b>Optional: Additional Features</b>  | -EP = Enhanced product (-40°C to 105°C)<br>-HT = Extreme temperature parts (-55°C to 150°C)<br>-Q1 = Automotive Q100 qualified   |   |   |

**Figure 10-1. Device Nomenclature**

## 10.3 Tools and Software

Table 10-1 lists the debug features supported by the MSP430F261x and MSP430F241x microcontrollers. See the [Code Composer Studio IDE for MSP430 MCUs User's Guide](#) for details on the available features.

**Table 10-1. Hardware Features**

| MSP430 ARCHITECTURE | 4-WIRE JTAG | 2-WIRE JTAG | BREAK-POINTS (N) | RANGE BREAK-POINTS | CLOCK CONTROL | STATE SEQUENCER | TRACE BUFFER |
|---------------------|-------------|-------------|------------------|--------------------|---------------|-----------------|--------------|
| MSP430X             | Yes         | No          | 8                | Yes                | Yes           | Yes             | Yes          |

### Design Kits and Evaluation Modules

#### [64-pin Target Development Board and MSP-FET Programmer Bundle - MSP430F1x, MSP430F2x, MSP430F4x MCUs](#)

The MSP-FET430U64 is a powerful flash emulation tool that includes the hardware and software required to quickly begin application development on the MSP430 MCU. It includes a ZIF socket target board (MSP-TS430PM64) and a USB debugging interface (MSP-FET) used to program and debug the MSP430 in-system through the JTAG interface or the pin-saving Spy-Bi-Wire (2-wire JTAG) protocol. The flash memory can be erased and programmed in seconds with only a few keystrokes, and because the MSP430 flash is ultra-low power, no external power supply is required.

#### [80-pin Target Development Board and MSP-FET Programmer Bundle for MSP430F2x and MSP430F4x MCUs](#)

The MSP-FET430U80 is a powerful flash emulation tool that includes the hardware and software required to quickly begin application development on the MSP430 MCU. It includes a ZIF socket target board and a USB debugging interface (MSP-FET) used to program and debug the MSP430 in-system through the JTAG interface or the pin-saving Spy-Bi-Wire (2-wire JTAG) protocol. The flash memory can be erased and programmed in seconds with only a few keystrokes, and because the MSP430 flash is ultra-low power, no external power supply is required.

### Software

#### [MSP430F241x, MSP430F261x Code Examples](#)

C code examples are available for every MSP device that configures each of the integrated peripherals for various application needs.

#### [MSPWare Software](#)

MSPWare software is a collection of code examples, data sheets, and other design resources for all MSP devices delivered in a convenient package. In addition to providing a complete collection of existing MSP design resources, MSPWare software also includes a high-level API called MSP Driver Library. This library makes it easy to program MSP hardware. MSPWare software is available as a component of CCS or as a stand-alone package.

#### [MSP Driver Library](#)

The abstracted API of MSP Driver Library provides easy-to-use function calls that free you from directly manipulating the bits and bytes of the MSP430 hardware. Thorough documentation is delivered through a helpful API Guide, which includes details on each function call and the recognized parameters. Developers can use Driver Library functions to write complete projects with minimal overhead.

#### [MSP EnergyTrace Technology](#)

EnergyTrace technology for MSP430 microcontrollers is an energy-based code analysis tool that measures and displays the energy profile of the application and helps to optimize it for ultra-low power consumption.

#### [ULP \(Ultra-Low Power\) Advisor](#)

ULP Advisor™ software is a tool for guiding developers to write more efficient code to fully use the unique ultra-low-power features of MSP and MSP432 microcontrollers. Aimed at both experienced and new microcontroller

developers, ULP Advisor checks your code against a thorough ULP checklist to help minimize the energy consumption of your application. At build time, ULP Advisor provides notifications and remarks to highlight areas of your code that can be further optimized for lower power.

### [Fixed Point Math Library for MSP](#)

The MSP IQmath and Qmath Libraries are a collection of highly optimized and high-precision mathematical functions for C programmers to seamlessly port a floating-point algorithm into fixed-point code on MSP430 and MSP432 devices. These routines are typically used in computationally intensive real-time applications where optimal execution speed, high accuracy, and ultra-low energy are critical. By using the IQmath and Qmath libraries, it is possible to achieve execution speeds considerably faster and energy consumption considerably lower than equivalent code written using floating-point math.

## Development Tools

### [Code Composer Studio™ Integrated Development Environment for MSP Microcontrollers](#)

Code Composer Studio (CCS) integrated development environment (IDE) supports all MSP microcontroller devices. CCS comprises a suite of embedded software utilities used to develop and debug embedded applications. CCS includes an optimizing C/C++ compiler, source code editor, project build environment, debugger, profiler, and many other features.

### [MSPWare Software](#)

MSPWare software is a collection of code examples, data sheets, and other design resources for all MSP devices delivered in a convenient package. In addition to providing a complete collection of existing MSP design resources, MSPWare software also includes a high-level API called MSP Driver Library. This library makes it easy to program MSP hardware. MSPWare software is available as a component of CCS or as a stand-alone package.

### [Command-Line Programmer](#)

MSP Flasher is an open-source shell-based interface for programming MSP microcontrollers through a FET programmer or eZ430 using JTAG or Spy-Bi-Wire (SBW) communication. MSP Flasher can download binary files (.txt or .hex) directly to the MSP microcontroller without an IDE.

### [MSP MCU Programmer and Debugger](#)

The MSP-FET is a powerful emulation development tool – often called a debug probe – which lets users quickly begin application development on MSP low-power MCUs. Creating MCU software usually requires downloading the resulting binary program to the MSP device for validation and debugging.

### [MSP-GANG Production Programmer](#)

The MSP Gang Programmer is an MSP430 or MSP432 device programmer that can program up to eight identical MSP430 or MSP432 flash or FRAM devices at the same time. The MSP Gang Programmer connects to a host PC using a standard RS-232 or USB connection and provides flexible programming options that let the user fully customize the process.

## 10.4 Documentation Support

The following documents describe the MSP430F261x and MSP430F241x MCUs. Copies of these documents are available on the Internet at [www.ti.com](http://www.ti.com).

### Receiving Notification of Document Updates

To receive notification of documentation updates—including silicon errata—go to the product folder for your device on [ti.com](http://ti.com) (for example, [MSP430F2619](#)). In the upper right corner, click the "Alert me" button. This registers you to receive a weekly digest of product information that has changed (if any). For change details, check the revision history of any revised document.

## Errata

### [MSP430F2619 Microcontroller Errata](#)

Describes the known exceptions to the functional specifications.

### [MSP430F2618 Microcontroller Errata](#)

Describes the known exceptions to the functional specifications.

### [MSP430F2617 Microcontroller Errata](#)

Describes the known exceptions to the functional specifications.

### [MSP430F2616 Microcontroller Errata](#)

Describes the known exceptions to the functional specifications.

### [MSP430F2419 Microcontroller Errata](#)

Describes the known exceptions to the functional specifications.

### [MSP430F2418 Microcontroller Errata](#)

Describes the known exceptions to the functional specifications.

### [MSP430F2417 Microcontroller Errata](#)

Describes the known exceptions to the functional specifications.

### [MSP430F2416 Microcontroller Errata](#)

Describes the known exceptions to the functional specifications.

## User's Guides

### [MSP430F2xx, MSP430G2xx Family User's Guide](#)

Detailed description of all modules and peripherals available in this device family.

### [MSP430 Programming With the JTAG Interface](#)

This document describes the functions that are required to erase, program, and verify the memory module of the MSP430 flash-based and FRAM-based microcontroller families using the JTAG communication port. In addition, it describes how to program the JTAG access security fuse that is available on all MSP430 devices. This document describes device access using both the standard 4-wire JTAG interface and the 2-wire JTAG interface, which is also referred to as Spy-Bi-Wire (SBW).

### [MSP430 Flash Device Bootloader \(BSL\) User's Guide](#)

The MSP430 BSL lets users communicate with embedded memory in the MSP430 MCU during the prototyping phase, final production, and in service. Both the programmable memory (flash memory) and the data memory (RAM) can be modified as required.

### [MSP430 Hardware Tools User's Guide](#)

This manual describes the hardware of the TI MSP-FET430 Flash Emulation Tool (FET). The FET is the program development tool for the MSP430 ultra-low-power microcontroller. Both available interface types, the parallel port interface and the USB interface, are described.

## Application Reports

### [MSP430 32-kHz Crystal Oscillators](#)

Selection of the right crystal, correct load circuit, and proper board layout are important for a stable crystal oscillator. This application report summarizes crystal oscillator function and explains the parameters to select the correct crystal for MSP430 ultra-low-power operation. In addition, hints and examples for correct board layout are given. The document also contains detailed information on the possible oscillator tests to ensure stable oscillator operation in mass production.

## MSP430 System-Level ESD Considerations

System-level ESD has become increasingly demanding with silicon technology scaling towards lower voltages and the need for designing cost-effective and ultra-low-power components. This application report addresses three different ESD topics to help board designers and OEMs understand and design robust system-level designs.

### Understanding MSP430 Flash Data Retention

The MSP430 family of microcontrollers, as part of its broad portfolio, offers both read-only memory (ROM)-based and flash-based devices. Understanding the MSP430 flash is extremely important for efficient, robust, and reliable system design. Data retention is one of the key aspects to flash reliability. In this application report, data retention for the MSP430 flash is discussed in detail and the effect of temperature is given primary importance.

### Interfacing the 3-V MSP430 to 5-V Circuits

The interfacing of the 3-V MSP430x1xx and MSP430x4xx microcontroller families to circuits with a supply of 5 V or higher is shown. Input, output and I/O interfaces are given and explained. Worst-case design equations are provided, where necessary. Some simple power supplies generating both voltages are shown, too.

### Efficient Multiplication and Division Using MSP430

Multiplication and division in the absence of a hardware multiplier require many instruction cycles, especially in C. This report discusses a method that does not need a hardware multiplier and can perform multiplication and division with only shift and add instructions. The method described in this application report is based on Horner's method.

## 10.5 Support Resources

[TI E2E™ support forums](#) are an engineer's go-to source for fast, verified answers and design help — straight from the experts. Search existing answers or ask your own question to get the quick design help you need.

[MSP Academy](#) is a starting point for all developers to learn about the MSP430 MCU Platform, which provides affordable solutions for many applications. MSP Academy delivers easy-to-use training modules that span a wide range of topics and LaunchPad development kits in the MSP430 MCU portfolio.

Linked content is provided "AS IS" by the respective contributors. They do not constitute TI specifications and do not necessarily reflect TI's views; see TI's [Terms of Use](#).

## 10.6 Trademarks

MSP430™, MicroStar Junior™, ULP Advisor™, Code Composer Studio™, and TI E2E™ are trademarks of Texas Instruments.

All trademarks are the property of their respective owners.

## 10.7 Electrostatic Discharge Caution



This integrated circuit can be damaged by ESD. Texas Instruments recommends that all integrated circuits be handled with appropriate precautions. Failure to observe proper handling and installation procedures can cause damage.

ESD damage can range from subtle performance degradation to complete device failure. Precision integrated circuits may be more susceptible to damage because very small parametric changes could cause the device not to meet its published specifications.

## 10.8 Glossary

[TI Glossary](#) This glossary lists and explains terms, acronyms, and definitions.

## 11 Mechanical, Packaging, and Orderable Information

The following pages include mechanical, packaging, and orderable information. This information is the most current data available for the designated devices. This data is subject to change without notice and revision of this document. For browser-based versions of this data sheet, refer to the left-hand navigation.



**PACKAGING INFORMATION**

| Orderable Device | Status<br>(1) | Package Type | Package Drawing | Pins | Package Qty | Eco Plan<br>(2) | Lead finish/<br>Ball material<br>(6) | MSL Peak Temp<br>(3) | Op Temp (°C) | Device Marking<br>(4/5) | Samples                 |
|------------------|---------------|--------------|-----------------|------|-------------|-----------------|--------------------------------------|----------------------|--------------|-------------------------|-------------------------|
| MSP430F2416TPM   | ACTIVE        | LQFP         | PM              | 64   | 160         | RoHS & Green    | NIPDAU                               | Level-3-260C-168 HR  | -40 to 105   | M430F2416T              | <a href="#">Samples</a> |
| MSP430F2416TPMR  | ACTIVE        | LQFP         | PM              | 64   | 1000        | RoHS & Green    | NIPDAU                               | Level-3-260C-168 HR  | -40 to 105   | M430F2416T              | <a href="#">Samples</a> |
| MSP430F2416TPN   | ACTIVE        | LQFP         | PN              | 80   | 119         | RoHS & Green    | NIPDAU                               | Level-3-260C-168 HR  | -40 to 105   | M430F2416T              | <a href="#">Samples</a> |
| MSP430F2416TPNR  | ACTIVE        | LQFP         | PN              | 80   | 1000        | RoHS & Green    | NIPDAU                               | Level-3-260C-168 HR  | -40 to 105   | M430F2416T              | <a href="#">Samples</a> |
| MSP430F2416TZCA  | ACTIVE        | NFBGA        | ZCA             | 113  | 260         | RoHS & Green    | SNAGCU                               | Level-3-260C-168 HR  | -40 to 105   | F2416T                  | <a href="#">Samples</a> |
| MSP430F2416TZCAR | ACTIVE        | NFBGA        | ZCA             | 113  | 2500        | RoHS & Green    | SNAGCU                               | Level-3-260C-168 HR  | -40 to 105   | F2416T                  | <a href="#">Samples</a> |
| MSP430F2417TPM   | ACTIVE        | LQFP         | PM              | 64   | 160         | RoHS & Green    | NIPDAU                               | Level-3-260C-168 HR  | -40 to 105   | M430F2417T              | <a href="#">Samples</a> |
| MSP430F2417TPMR  | ACTIVE        | LQFP         | PM              | 64   | 1000        | RoHS & Green    | NIPDAU                               | Level-3-260C-168 HR  | -40 to 105   | M430F2417T              | <a href="#">Samples</a> |
| MSP430F2417TPN   | ACTIVE        | LQFP         | PN              | 80   | 119         | RoHS & Green    | NIPDAU                               | Level-3-260C-168 HR  | -40 to 105   | M430F2417T              | <a href="#">Samples</a> |
| MSP430F2417TPNR  | ACTIVE        | LQFP         | PN              | 80   | 1000        | RoHS & Green    | NIPDAU                               | Level-3-260C-168 HR  | -40 to 105   | M430F2417T              | <a href="#">Samples</a> |
| MSP430F2417TZCAR | ACTIVE        | NFBGA        | ZCA             | 113  | 2500        | RoHS & Green    | SNAGCU                               | Level-3-260C-168 HR  | -40 to 105   | F2417T                  | <a href="#">Samples</a> |
| MSP430F2418TPM   | ACTIVE        | LQFP         | PM              | 64   | 160         | RoHS & Green    | NIPDAU                               | Level-3-260C-168 HR  | -40 to 105   | M430F2418T              | <a href="#">Samples</a> |
| MSP430F2418TPMR  | ACTIVE        | LQFP         | PM              | 64   | 1000        | RoHS & Green    | NIPDAU                               | Level-3-260C-168 HR  | -40 to 105   | M430F2418T              | <a href="#">Samples</a> |
| MSP430F2418TPN   | ACTIVE        | LQFP         | PN              | 80   | 119         | RoHS & Green    | NIPDAU                               | Level-3-260C-168 HR  | -40 to 105   | M430F2418T              | <a href="#">Samples</a> |
| MSP430F2418TPNR  | ACTIVE        | LQFP         | PN              | 80   | 1000        | RoHS & Green    | NIPDAU                               | Level-3-260C-168 HR  | -40 to 105   | M430F2418T              | <a href="#">Samples</a> |
| MSP430F2418TZCA  | ACTIVE        | NFBGA        | ZCA             | 113  | 260         | RoHS & Green    | SNAGCU                               | Level-3-260C-168 HR  | -40 to 105   | F2418T                  | <a href="#">Samples</a> |
| MSP430F2418TZCAR | ACTIVE        | NFBGA        | ZCA             | 113  | 2500        | RoHS & Green    | SNAGCU                               | Level-3-260C-168 HR  | -40 to 105   | F2418T                  | <a href="#">Samples</a> |
| MSP430F2419TPM   | ACTIVE        | LQFP         | PM              | 64   | 160         | RoHS & Green    | NIPDAU                               | Level-3-260C-168 HR  | -40 to 105   | M430F2419T              | <a href="#">Samples</a> |
| MSP430F2419TPMR  | ACTIVE        | LQFP         | PM              | 64   | 1000        | RoHS & Green    | NIPDAU                               | Level-3-260C-168 HR  | -40 to 105   | M430F2419T              | <a href="#">Samples</a> |
| MSP430F2419TPN   | ACTIVE        | LQFP         | PN              | 80   | 119         | RoHS & Green    | NIPDAU                               | Level-3-260C-168 HR  | -40 to 105   | M430F2419T              | <a href="#">Samples</a> |

| Orderable Device | Status<br>(1) | Package Type | Package Drawing | Pins | Package Qty | Eco Plan<br>(2) | Lead finish/<br>Ball material<br>(6) | MSL Peak Temp<br>(3) | Op Temp (°C) | Device Marking<br>(4/5) | Samples                 |
|------------------|---------------|--------------|-----------------|------|-------------|-----------------|--------------------------------------|----------------------|--------------|-------------------------|-------------------------|
| MSP430F2419TPNR  | ACTIVE        | LQFP         | PN              | 80   | 1000        | RoHS & Green    | NIPDAU                               | Level-3-260C-168 HR  | -40 to 105   | M430F2419T              | <a href="#">Samples</a> |
| MSP430F2616TPM   | ACTIVE        | LQFP         | PM              | 64   | 160         | RoHS & Green    | NIPDAU                               | Level-3-260C-168 HR  | -40 to 105   | M430F2616T              | <a href="#">Samples</a> |
| MSP430F2616TPMR  | ACTIVE        | LQFP         | PM              | 64   | 1000        | RoHS & Green    | NIPDAU                               | Level-3-260C-168 HR  | -40 to 105   | M430F2616T              | <a href="#">Samples</a> |
| MSP430F2616TPN   | ACTIVE        | LQFP         | PN              | 80   | 119         | RoHS & Green    | NIPDAU                               | Level-3-260C-168 HR  | -40 to 105   | M430F2616T              | <a href="#">Samples</a> |
| MSP430F2616TPNR  | ACTIVE        | LQFP         | PN              | 80   | 1000        | RoHS & Green    | NIPDAU                               | Level-3-260C-168 HR  | -40 to 105   | M430F2616T              | <a href="#">Samples</a> |
| MSP430F2616TZCA  | ACTIVE        | NFBGA        | ZCA             | 113  | 260         | RoHS & Green    | SNAGCU                               | Level-3-260C-168 HR  | -40 to 105   | F2616T                  | <a href="#">Samples</a> |
| MSP430F2616TZCAR | ACTIVE        | NFBGA        | ZCA             | 113  | 2500        | RoHS & Green    | SNAGCU                               | Level-3-260C-168 HR  | -40 to 105   | F2616T                  | <a href="#">Samples</a> |
| MSP430F2617TPM   | ACTIVE        | LQFP         | PM              | 64   | 160         | RoHS & Green    | NIPDAU                               | Level-3-260C-168 HR  | -40 to 105   | M430F2617T              | <a href="#">Samples</a> |
| MSP430F2617TPMR  | ACTIVE        | LQFP         | PM              | 64   | 1000        | RoHS & Green    | NIPDAU                               | Level-3-260C-168 HR  | -40 to 105   | M430F2617T              | <a href="#">Samples</a> |
| MSP430F2617TPN   | ACTIVE        | LQFP         | PN              | 80   | 119         | RoHS & Green    | NIPDAU                               | Level-3-260C-168 HR  | -40 to 105   | M430F2617T              | <a href="#">Samples</a> |
| MSP430F2617TPNR  | ACTIVE        | LQFP         | PN              | 80   | 1000        | RoHS & Green    | NIPDAU                               | Level-3-260C-168 HR  | -40 to 105   | M430F2617T              | <a href="#">Samples</a> |
| MSP430F2617TZCA  | ACTIVE        | NFBGA        | ZCA             | 113  | 260         | RoHS & Green    | SNAGCU                               | Level-3-260C-168 HR  | -40 to 105   | F2617T                  | <a href="#">Samples</a> |
| MSP430F2617TZCAR | ACTIVE        | NFBGA        | ZCA             | 113  | 2500        | RoHS & Green    | SNAGCU                               | Level-3-260C-168 HR  | -40 to 105   | F2617T                  | <a href="#">Samples</a> |
| MSP430F2618TPM   | ACTIVE        | LQFP         | PM              | 64   | 160         | RoHS & Green    | NIPDAU                               | Level-3-260C-168 HR  | -40 to 105   | M430F2618T              | <a href="#">Samples</a> |
| MSP430F2618TPMR  | ACTIVE        | LQFP         | PM              | 64   | 1000        | RoHS & Green    | NIPDAU                               | Level-3-260C-168 HR  | -40 to 105   | M430F2618T              | <a href="#">Samples</a> |
| MSP430F2618TPN   | ACTIVE        | LQFP         | PN              | 80   | 119         | RoHS & Green    | NIPDAU                               | Level-3-260C-168 HR  | -40 to 105   | M430F2618T              | <a href="#">Samples</a> |
| MSP430F2618TPNR  | ACTIVE        | LQFP         | PN              | 80   | 1000        | RoHS & Green    | NIPDAU                               | Level-3-260C-168 HR  | -40 to 105   | M430F2618T              | <a href="#">Samples</a> |
| MSP430F2618TZCA  | ACTIVE        | NFBGA        | ZCA             | 113  | 260         | RoHS & Green    | SNAGCU                               | Level-3-260C-168 HR  | -40 to 105   | F2618T                  | <a href="#">Samples</a> |
| MSP430F2618TZCAR | ACTIVE        | NFBGA        | ZCA             | 113  | 2500        | RoHS & Green    | SNAGCU                               | Level-3-260C-168 HR  | -40 to 105   | F2618T                  | <a href="#">Samples</a> |
| MSP430F2619TPM   | ACTIVE        | LQFP         | PM              | 64   | 160         | RoHS & Green    | NIPDAU                               | Level-3-260C-168 HR  | -40 to 105   | M430F2619T<br>REV #     | <a href="#">Samples</a> |
| MSP430F2619TPMR  | ACTIVE        | LQFP         | PM              | 64   | 1000        | RoHS & Green    | NIPDAU                               | Level-3-260C-168 HR  | -40 to 105   | M430F2619T<br>REV #     | <a href="#">Samples</a> |

| Orderable Device | Status<br>(1) | Package Type | Package Drawing | Pins | Package Qty | Eco Plan<br>(2) | Lead finish/<br>Ball material<br>(6) | MSL Peak Temp<br>(3) | Op Temp (°C) | Device Marking<br>(4/5) | Samples                 |
|------------------|---------------|--------------|-----------------|------|-------------|-----------------|--------------------------------------|----------------------|--------------|-------------------------|-------------------------|
| MSP430F2619TPN   | ACTIVE        | LQFP         | PN              | 80   | 119         | RoHS & Green    | NIPDAU                               | Level-3-260C-168 HR  | -40 to 105   | M430F2619T              | <a href="#">Samples</a> |
| MSP430F2619TPNR  | ACTIVE        | LQFP         | PN              | 80   | 1000        | RoHS & Green    | NIPDAU                               | Level-3-260C-168 HR  | -40 to 105   | M430F2619T              | <a href="#">Samples</a> |
| MSP430F2619TZCA  | ACTIVE        | NFBGA        | ZCA             | 113  | 260         | RoHS & Green    | SNAGCU                               | Level-3-260C-168 HR  | -40 to 105   | F2619T                  | <a href="#">Samples</a> |
| MSP430F2619TZCAR | ACTIVE        | NFBGA        | ZCA             | 113  | 2500        | RoHS & Green    | SNAGCU                               | Level-3-260C-168 HR  | -40 to 105   | F2619T                  | <a href="#">Samples</a> |

(1) The marketing status values are defined as follows:

**ACTIVE:** Product device recommended for new designs.

**LIFEBUY:** TI has announced that the device will be discontinued, and a lifetime-buy period is in effect.

**NRND:** Not recommended for new designs. Device is in production to support existing customers, but TI does not recommend using this part in a new design.

**PREVIEW:** Device has been announced but is not in production. Samples may or may not be available.

**OBSELETE:** TI has discontinued the production of the device.

(2) **RoHS:** TI defines "RoHS" to mean semiconductor products that are compliant with the current EU RoHS requirements for all 10 RoHS substances, including the requirement that RoHS substance do not exceed 0.1% by weight in homogeneous materials. Where designed to be soldered at high temperatures, "RoHS" products are suitable for use in specified lead-free processes. TI may reference these types of products as "Pb-Free".

**RoHS Exempt:** TI defines "RoHS Exempt" to mean products that contain lead but are compliant with EU RoHS pursuant to a specific EU RoHS exemption.

**Green:** TI defines "Green" to mean the content of Chlorine (Cl) and Bromine (Br) based flame retardants meet JS709B low halogen requirements of <=1000ppm threshold. Antimony trioxide based flame retardants must also meet the <=1000ppm threshold requirement.

(3) MSL, Peak Temp. - The Moisture Sensitivity Level rating according to the JEDEC industry standard classifications, and peak solder temperature.

(4) There may be additional marking, which relates to the logo, the lot trace code information, or the environmental category on the device.

(5) Multiple Device Markings will be inside parentheses. Only one Device Marking contained in parentheses and separated by a "~" will appear on a device. If a line is indented then it is a continuation of the previous line and the two combined represent the entire Device Marking for that device.

(6) Lead finish/Ball material - Orderable Devices may have multiple material finish options. Finish options are separated by a vertical ruled line. Lead finish/Ball material values may wrap to two lines if the finish value exceeds the maximum column width.

**Important Information and Disclaimer:**The information provided on this page represents TI's knowledge and belief as of the date that it is provided. TI bases its knowledge and belief on information provided by third parties, and makes no representation or warranty as to the accuracy of such information. Efforts are underway to better integrate information from third parties. TI has taken and continues to take reasonable steps to provide representative and accurate information but may not have conducted destructive testing or chemical analysis on incoming materials and chemicals. TI and TI suppliers consider certain information to be proprietary, and thus CAS numbers and other limited information may not be available for release.

In no event shall TI's liability arising out of such information exceed the total purchase price of the TI part(s) at issue in this document sold by TI to Customer on an annual basis.

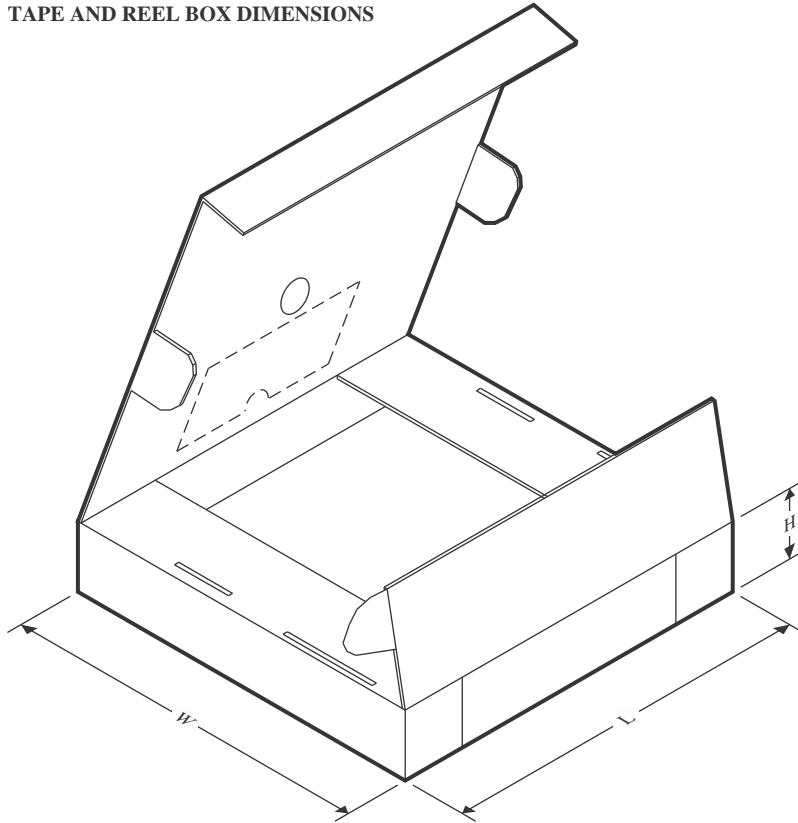
**TAPE AND REEL INFORMATION**

**QUADRANT ASSIGNMENTS FOR PIN 1 ORIENTATION IN TAPE**


\*All dimensions are nominal

| Device           | Package Type | Package Drawing | Pins | SPQ  | Reel Diameter (mm) | Reel Width W1 (mm) | A0 (mm) | B0 (mm) | K0 (mm) | P1 (mm) | W (mm) | Pin1 Quadrant |
|------------------|--------------|-----------------|------|------|--------------------|--------------------|---------|---------|---------|---------|--------|---------------|
| MSP430F2416TPMR  | LQFP         | PM              | 64   | 1000 | 330.0              | 24.4               | 13.0    | 13.0    | 2.1     | 16.0    | 24.0   | Q2            |
| MSP430F2416TPNR  | LQFP         | PN              | 80   | 1000 | 330.0              | 24.4               | 15.0    | 15.0    | 2.1     | 20.0    | 24.0   | Q2            |
| MSP430F2416TZCAR | NFBGA        | ZCA             | 113  | 2500 | 330.0              | 16.4               | 7.3     | 7.3     | 1.5     | 12.0    | 16.0   | Q1            |
| MSP430F2417TPMR  | LQFP         | PM              | 64   | 1000 | 330.0              | 24.4               | 13.0    | 13.0    | 2.1     | 16.0    | 24.0   | Q2            |
| MSP430F2417TPNR  | LQFP         | PN              | 80   | 1000 | 330.0              | 24.4               | 15.0    | 15.0    | 2.1     | 20.0    | 24.0   | Q2            |
| MSP430F2417TZCAR | NFBGA        | ZCA             | 113  | 2500 | 330.0              | 16.4               | 7.3     | 7.3     | 1.5     | 12.0    | 16.0   | Q1            |
| MSP430F2418TPMR  | LQFP         | PM              | 64   | 1000 | 330.0              | 24.4               | 13.0    | 13.0    | 2.1     | 16.0    | 24.0   | Q2            |
| MSP430F2418TPNR  | LQFP         | PN              | 80   | 1000 | 330.0              | 24.4               | 15.0    | 15.0    | 2.1     | 20.0    | 24.0   | Q2            |
| MSP430F2418TZCAR | NFBGA        | ZCA             | 113  | 2500 | 330.0              | 16.4               | 7.3     | 7.3     | 1.5     | 12.0    | 16.0   | Q1            |
| MSP430F2419TPMR  | LQFP         | PM              | 64   | 1000 | 330.0              | 24.4               | 13.0    | 13.0    | 2.1     | 16.0    | 24.0   | Q2            |
| MSP430F2419TPNR  | LQFP         | PN              | 80   | 1000 | 330.0              | 24.4               | 15.0    | 15.0    | 2.1     | 20.0    | 24.0   | Q2            |
| MSP430F2616TPMR  | LQFP         | PM              | 64   | 1000 | 330.0              | 24.4               | 13.0    | 13.0    | 2.1     | 16.0    | 24.0   | Q2            |
| MSP430F2616TPNR  | LQFP         | PN              | 80   | 1000 | 330.0              | 24.4               | 15.0    | 15.0    | 2.1     | 20.0    | 24.0   | Q2            |
| MSP430F2616TZCAR | NFBGA        | ZCA             | 113  | 2500 | 330.0              | 16.4               | 7.3     | 7.3     | 1.5     | 12.0    | 16.0   | Q1            |
| MSP430F2617TPMR  | LQFP         | PM              | 64   | 1000 | 330.0              | 24.4               | 13.0    | 13.0    | 2.1     | 16.0    | 24.0   | Q2            |
| MSP430F2617TPNR  | LQFP         | PN              | 80   | 1000 | 330.0              | 24.4               | 15.0    | 15.0    | 2.1     | 20.0    | 24.0   | Q2            |

| Device           | Package Type | Package Drawing | Pins | SPQ  | Reel Diameter (mm) | Reel Width W1 (mm) | A0 (mm) | B0 (mm) | K0 (mm) | P1 (mm) | W (mm) | Pin1 Quadrant |
|------------------|--------------|-----------------|------|------|--------------------|--------------------|---------|---------|---------|---------|--------|---------------|
| MSP430F2617TZCAR | NFBGA        | ZCA             | 113  | 2500 | 330.0              | 16.4               | 7.3     | 7.3     | 1.5     | 12.0    | 16.0   | Q1            |
| MSP430F2618TPMR  | LQFP         | PM              | 64   | 1000 | 330.0              | 24.4               | 13.0    | 13.0    | 2.1     | 16.0    | 24.0   | Q2            |
| MSP430F2618TPNR  | LQFP         | PN              | 80   | 1000 | 330.0              | 24.4               | 15.0    | 15.0    | 2.1     | 20.0    | 24.0   | Q2            |
| MSP430F2618TZCAR | NFBGA        | ZCA             | 113  | 2500 | 330.0              | 16.4               | 7.3     | 7.3     | 1.5     | 12.0    | 16.0   | Q1            |
| MSP430F2619TPMR  | LQFP         | PM              | 64   | 1000 | 330.0              | 24.4               | 13.0    | 13.0    | 2.1     | 16.0    | 24.0   | Q2            |
| MSP430F2619TPNR  | LQFP         | PN              | 80   | 1000 | 330.0              | 24.4               | 15.0    | 15.0    | 2.1     | 20.0    | 24.0   | Q2            |

**TAPE AND REEL BOX DIMENSIONS**


\*All dimensions are nominal

| Device           | Package Type | Package Drawing | Pins | SPQ  | Length (mm) | Width (mm) | Height (mm) |
|------------------|--------------|-----------------|------|------|-------------|------------|-------------|
| MSP430F2416TPMR  | LQFP         | PM              | 64   | 1000 | 336.6       | 336.6      | 41.3        |
| MSP430F2416TPNR  | LQFP         | PN              | 80   | 1000 | 350.0       | 350.0      | 43.0        |
| MSP430F2416TZCAR | NFBGA        | ZCA             | 113  | 2500 | 336.6       | 336.6      | 31.8        |
| MSP430F2417TPMR  | LQFP         | PM              | 64   | 1000 | 336.6       | 336.6      | 41.3        |
| MSP430F2417TPNR  | LQFP         | PN              | 80   | 1000 | 350.0       | 350.0      | 43.0        |
| MSP430F2417TZCAR | NFBGA        | ZCA             | 113  | 2500 | 336.6       | 336.6      | 31.8        |
| MSP430F2418TPMR  | LQFP         | PM              | 64   | 1000 | 336.6       | 336.6      | 41.3        |
| MSP430F2418TPNR  | LQFP         | PN              | 80   | 1000 | 350.0       | 350.0      | 43.0        |
| MSP430F2418TZCAR | NFBGA        | ZCA             | 113  | 2500 | 336.6       | 336.6      | 31.8        |
| MSP430F2419TPMR  | LQFP         | PM              | 64   | 1000 | 336.6       | 336.6      | 41.3        |
| MSP430F2419TPNR  | LQFP         | PN              | 80   | 1000 | 350.0       | 350.0      | 43.0        |
| MSP430F2616TPMR  | LQFP         | PM              | 64   | 1000 | 336.6       | 336.6      | 41.3        |
| MSP430F2616TPNR  | LQFP         | PN              | 80   | 1000 | 350.0       | 350.0      | 43.0        |
| MSP430F2616TZCAR | NFBGA        | ZCA             | 113  | 2500 | 336.6       | 336.6      | 31.8        |
| MSP430F2617TPMR  | LQFP         | PM              | 64   | 1000 | 336.6       | 336.6      | 41.3        |
| MSP430F2617TPNR  | LQFP         | PN              | 80   | 1000 | 350.0       | 350.0      | 43.0        |
| MSP430F2617TZCAR | NFBGA        | ZCA             | 113  | 2500 | 336.6       | 336.6      | 31.8        |
| MSP430F2618TPMR  | LQFP         | PM              | 64   | 1000 | 336.6       | 336.6      | 41.3        |

---

| Device           | Package Type | Package Drawing | Pins | SPQ  | Length (mm) | Width (mm) | Height (mm) |
|------------------|--------------|-----------------|------|------|-------------|------------|-------------|
| MSP430F2618TPNR  | LQFP         | PN              | 80   | 1000 | 350.0       | 350.0      | 43.0        |
| MSP430F2618TZCAR | NFBGA        | ZCA             | 113  | 2500 | 336.6       | 336.6      | 31.8        |
| MSP430F2619TPMR  | LQFP         | PM              | 64   | 1000 | 336.6       | 336.6      | 41.3        |
| MSP430F2619TPNR  | LQFP         | PN              | 80   | 1000 | 350.0       | 350.0      | 43.0        |



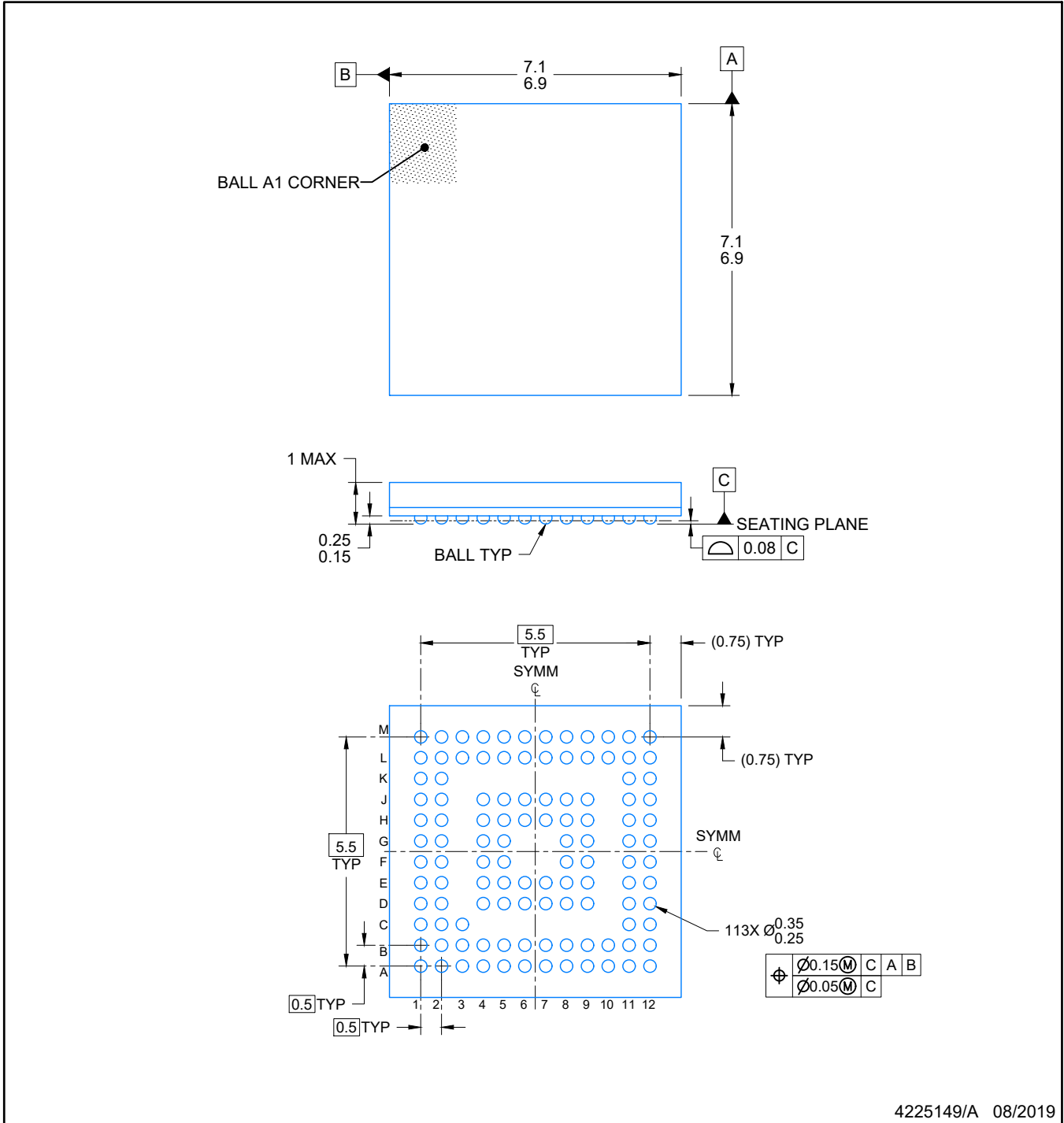
**TRAY**


Chamfer on Tray corner indicates Pin 1 orientation of packed units.

\*All dimensions are nominal

| Device          | Package Name | Package Type | Pins | SPQ | Unit array matrix | Max temperature (°C) | L (mm) | W (mm) | K0 (µm) | P1 (mm) | CL (mm) | CW (mm) |
|-----------------|--------------|--------------|------|-----|-------------------|----------------------|--------|--------|---------|---------|---------|---------|
| MSP430F2416TPM  | PM           | LQFP         | 64   | 160 | 8 X 20            | 150                  | 315    | 135.9  | 7620    | 15.2    | 13.1    | 13      |
| MSP430F2416TPM  | PM           | LQFP         | 64   | 160 | 8 x 20            | 150                  | 315    | 135.9  | 7620    | 15.2    | 13.1    | 13      |
| MSP430F2416TPN  | PN           | LQFP         | 80   | 119 | 7 x 17            | 150                  | 315    | 135.9  | 7620    | 17.9    | 14.3    | 13.95   |
| MSP430F2416TZCA | ZCA          | NFBGA        | 113  | 260 | 10 x 26           | 150                  | 315    | 135.9  | 7620    | 11.8    | 10      | 10.35   |
| MSP430F2416TZCA | ZCA          | NFBGA        | 113  | 260 | 10 x 26           | 150                  | 315    | 135.9  | 7620    | 11.8    | 10      | 10.35   |
| MSP430F2417TPM  | PM           | LQFP         | 64   | 160 | 8 X 20            | 150                  | 315    | 135.9  | 7620    | 15.2    | 13.1    | 13      |
| MSP430F2417TPM  | PM           | LQFP         | 64   | 160 | 8 x 20            | 150                  | 315    | 135.9  | 7620    | 15.2    | 13.1    | 13      |
| MSP430F2417TPN  | PN           | LQFP         | 80   | 119 | 7 x 17            | 150                  | 315    | 135.9  | 7620    | 17.9    | 14.3    | 13.95   |
| MSP430F2418TPM  | PM           | LQFP         | 64   | 160 | 8 x 20            | 150                  | 315    | 135.9  | 7620    | 15.2    | 13.1    | 13      |
| MSP430F2418TPM  | PM           | LQFP         | 64   | 160 | 8 X 20            | 150                  | 315    | 135.9  | 7620    | 15.2    | 13.1    | 13      |
| MSP430F2418TPN  | PN           | LQFP         | 80   | 119 | 7 x 17            | 150                  | 315    | 135.9  | 7620    | 17.9    | 14.3    | 13.95   |
| MSP430F2418TZCA | ZCA          | NFBGA        | 113  | 260 | 10 x 26           | 150                  | 315    | 135.9  | 7620    | 11.8    | 10      | 10.35   |
| MSP430F2418TZCA | ZCA          | NFBGA        | 113  | 260 | 10 x 26           | 150                  | 315    | 135.9  | 7620    | 11.8    | 10      | 10.35   |
| MSP430F2419TPM  | PM           | LQFP         | 64   | 160 | 8 X 20            | 150                  | 315    | 135.9  | 7620    | 15.2    | 13.1    | 13      |
| MSP430F2419TPM  | PM           | LQFP         | 64   | 160 | 8 x 20            | 150                  | 315    | 135.9  | 7620    | 15.2    | 13.1    | 13      |
| MSP430F2419TPN  | PN           | LQFP         | 80   | 119 | 7 x 17            | 150                  | 315    | 135.9  | 7620    | 17.9    | 14.3    | 13.95   |
| MSP430F2616TPM  | PM           | LQFP         | 64   | 160 | 8 X 20            | 150                  | 315    | 135.9  | 7620    | 15.2    | 13.1    | 13      |

| Device          | Package Name | Package Type | Pins | SPQ | Unit array matrix | Max temperature (°C) | L (mm) | W (mm) | K0 (µm) | P1 (mm) | CL (mm) | CW (mm) |
|-----------------|--------------|--------------|------|-----|-------------------|----------------------|--------|--------|---------|---------|---------|---------|
| MSP430F2616TPM  | PM           | LQFP         | 64   | 160 | 8 x 20            | 150                  | 315    | 135.9  | 7620    | 15.2    | 13.1    | 13      |
| MSP430F2616TPN  | PN           | LQFP         | 80   | 119 | 7 x 17            | 150                  | 315    | 135.9  | 7620    | 17.9    | 14.3    | 13.95   |
| MSP430F2616TZCA | ZCA          | NFBGA        | 113  | 260 | 10 x 26           | 150                  | 315    | 135.9  | 7620    | 11.8    | 10      | 10.35   |
| MSP430F2616TZCA | ZCA          | NFBGA        | 113  | 260 | 10 x 26           | 150                  | 315    | 135.9  | 7620    | 11.8    | 10      | 10.35   |
| MSP430F2617TPM  | PM           | LQFP         | 64   | 160 | 8 x 20            | 150                  | 315    | 135.9  | 7620    | 15.2    | 13.1    | 13      |
| MSP430F2617TPM  | PM           | LQFP         | 64   | 160 | 8 X 20            | 150                  | 315    | 135.9  | 7620    | 15.2    | 13.1    | 13      |
| MSP430F2617TPN  | PN           | LQFP         | 80   | 119 | 7 x 17            | 150                  | 315    | 135.9  | 7620    | 17.9    | 14.3    | 13.95   |
| MSP430F2617TZCA | ZCA          | NFBGA        | 113  | 260 | 10 x 26           | 150                  | 315    | 135.9  | 7620    | 11.8    | 10      | 10.35   |
| MSP430F2617TZCA | ZCA          | NFBGA        | 113  | 260 | 10 x 26           | 150                  | 315    | 135.9  | 7620    | 11.8    | 10      | 10.35   |
| MSP430F2618TPM  | PM           | LQFP         | 64   | 160 | 8 x 20            | 150                  | 315    | 135.9  | 7620    | 15.2    | 13.1    | 13      |
| MSP430F2618TPM  | PM           | LQFP         | 64   | 160 | 8 X 20            | 150                  | 315    | 135.9  | 7620    | 15.2    | 13.1    | 13      |
| MSP430F2618TPN  | PN           | LQFP         | 80   | 119 | 7 x 17            | 150                  | 315    | 135.9  | 7620    | 17.9    | 14.3    | 13.95   |
| MSP430F2618TZCA | ZCA          | NFBGA        | 113  | 260 | 10 x 26           | 150                  | 315    | 135.9  | 7620    | 11.8    | 10      | 10.35   |
| MSP430F2618TZCA | ZCA          | NFBGA        | 113  | 260 | 10 x 26           | 150                  | 315    | 135.9  | 7620    | 11.8    | 10      | 10.35   |
| MSP430F2619TPM  | PM           | LQFP         | 64   | 160 | 8 X 20            | 150                  | 315    | 135.9  | 7620    | 15.2    | 13.1    | 13      |
| MSP430F2619TPM  | PM           | LQFP         | 64   | 160 | 8 x 20            | 150                  | 315    | 135.9  | 7620    | 15.2    | 13.1    | 13      |
| MSP430F2619TPN  | PN           | LQFP         | 80   | 119 | 7 x 17            | 150                  | 315    | 135.9  | 7620    | 17.9    | 14.3    | 13.95   |
| MSP430F2619TZCA | ZCA          | NFBGA        | 113  | 260 | 10 x 26           | 150                  | 315    | 135.9  | 7620    | 11.8    | 10      | 10.35   |
| MSP430F2619TZCA | ZCA          | NFBGA        | 113  | 260 | 10 x 26           | 150                  | 315    | 135.9  | 7620    | 11.8    | 10      | 10.35   |

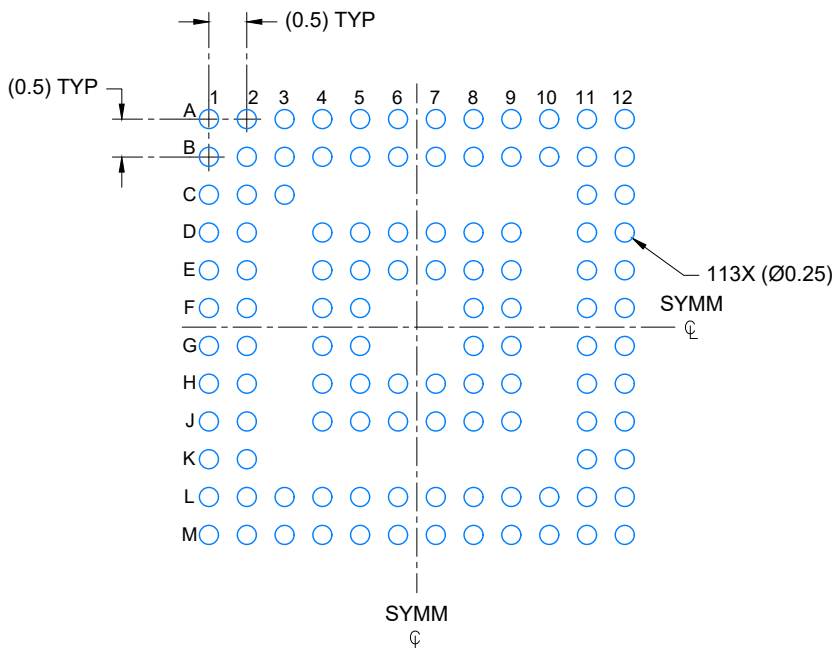


4225149/A 08/2019

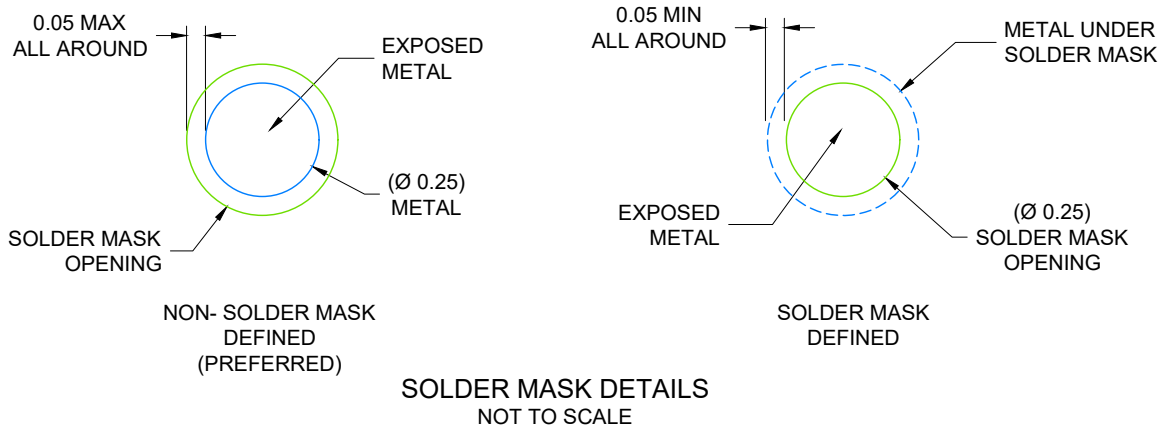
NOTES:

NanoFree is a trademark of Texas Instruments.

1. All linear dimensions are in millimeters. Any dimensions in parenthesis are for reference only. Dimensioning and tolerancing per ASME Y14.5M.
2. This drawing is subject to change without notice.



LAND PATTERN EXAMPLE  
SCALE: 10X



4225149/A 08/2019

NOTES: (continued)

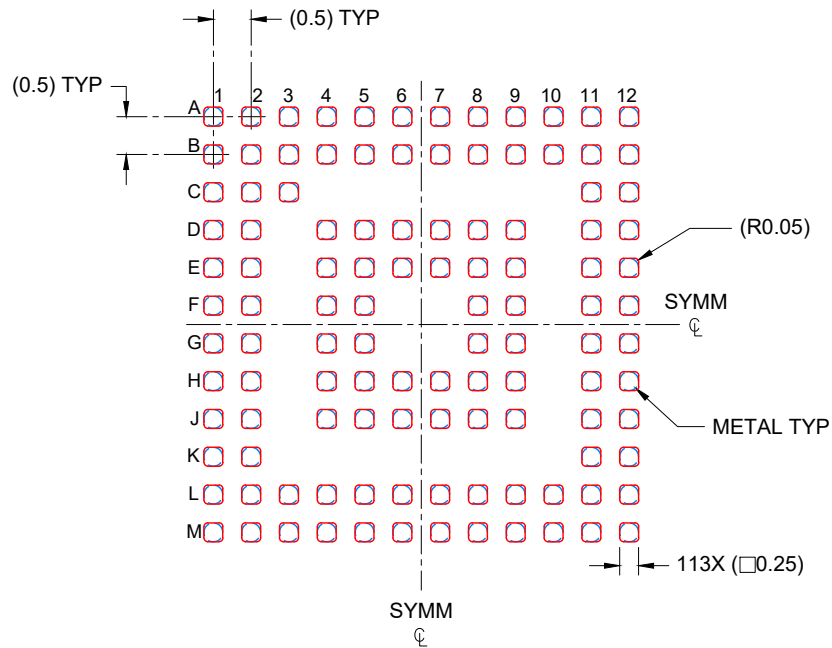
- Final dimensions may vary due to manufacturing tolerance considerations and also routing constraints. Refer to Texas Instruments Literature number SNVA009 ([www.ti.com/lit/snva009](http://www.ti.com/lit/snva009)).

# EXAMPLE STENCIL DESIGN

ZCA0113A

NFBGA - 1 mm max height

PLASTIC BALL GRID ARRAY



SOLDER PASTE EXAMPLE  
BASED ON 0.100 mm THICK STENCIL  
SCALE: 10X

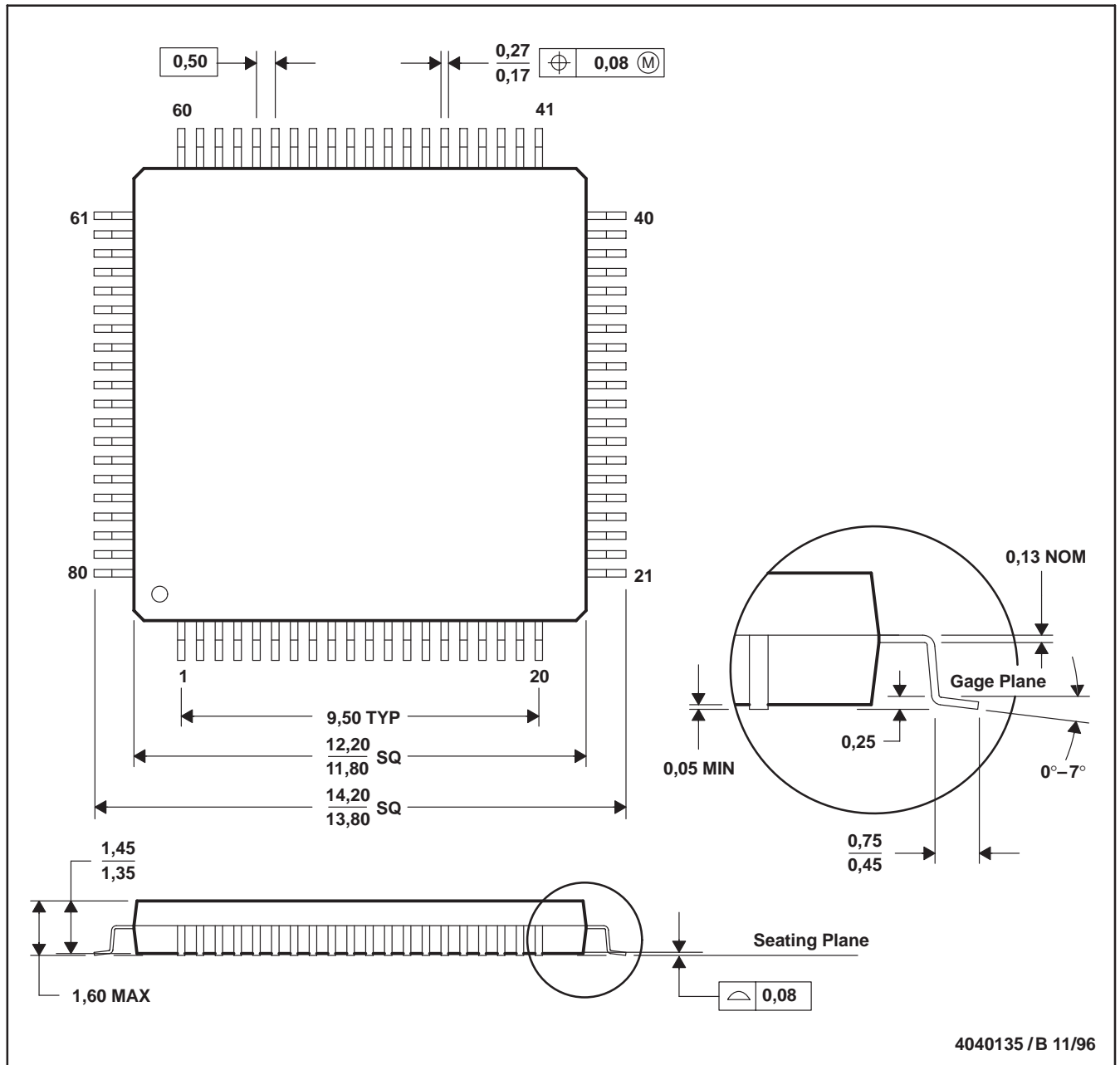
4225149/A 08/2019

NOTES: (continued)

4. Laser cutting apertures with trapezoidal walls and rounded corners may offer better paste release.

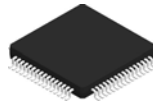
PN (S-PQFP-G80)

PLASTIC QUAD FLATPACK



- NOTES: A. All linear dimensions are in millimeters.  
 B. This drawing is subject to change without notice.  
 C. Falls within JEDEC MS-026

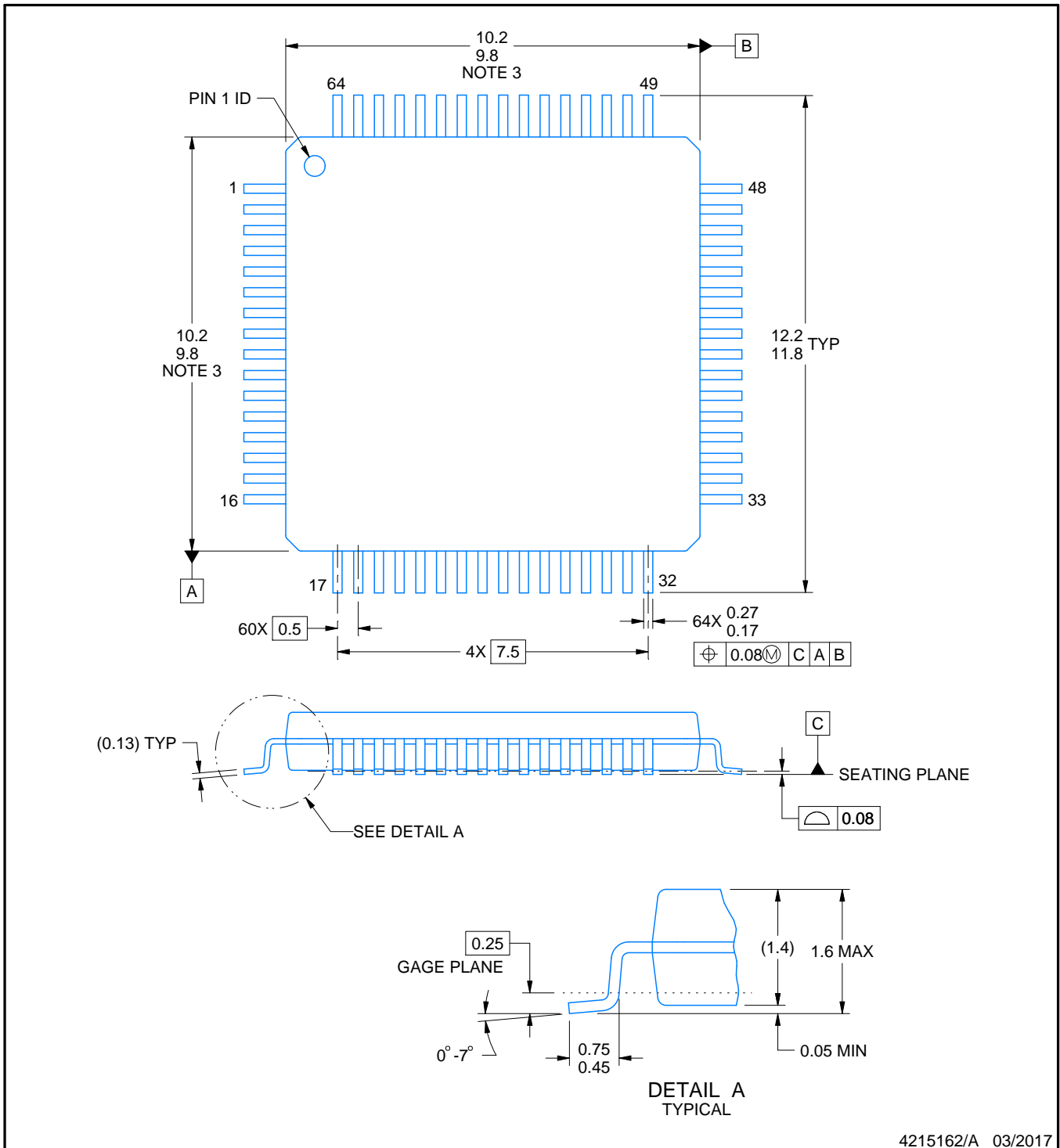
# PM0064A



# PACKAGE OUTLINE

LQFP - 1.6 mm max height

PLASTIC QUAD FLATPACK



## NOTES:

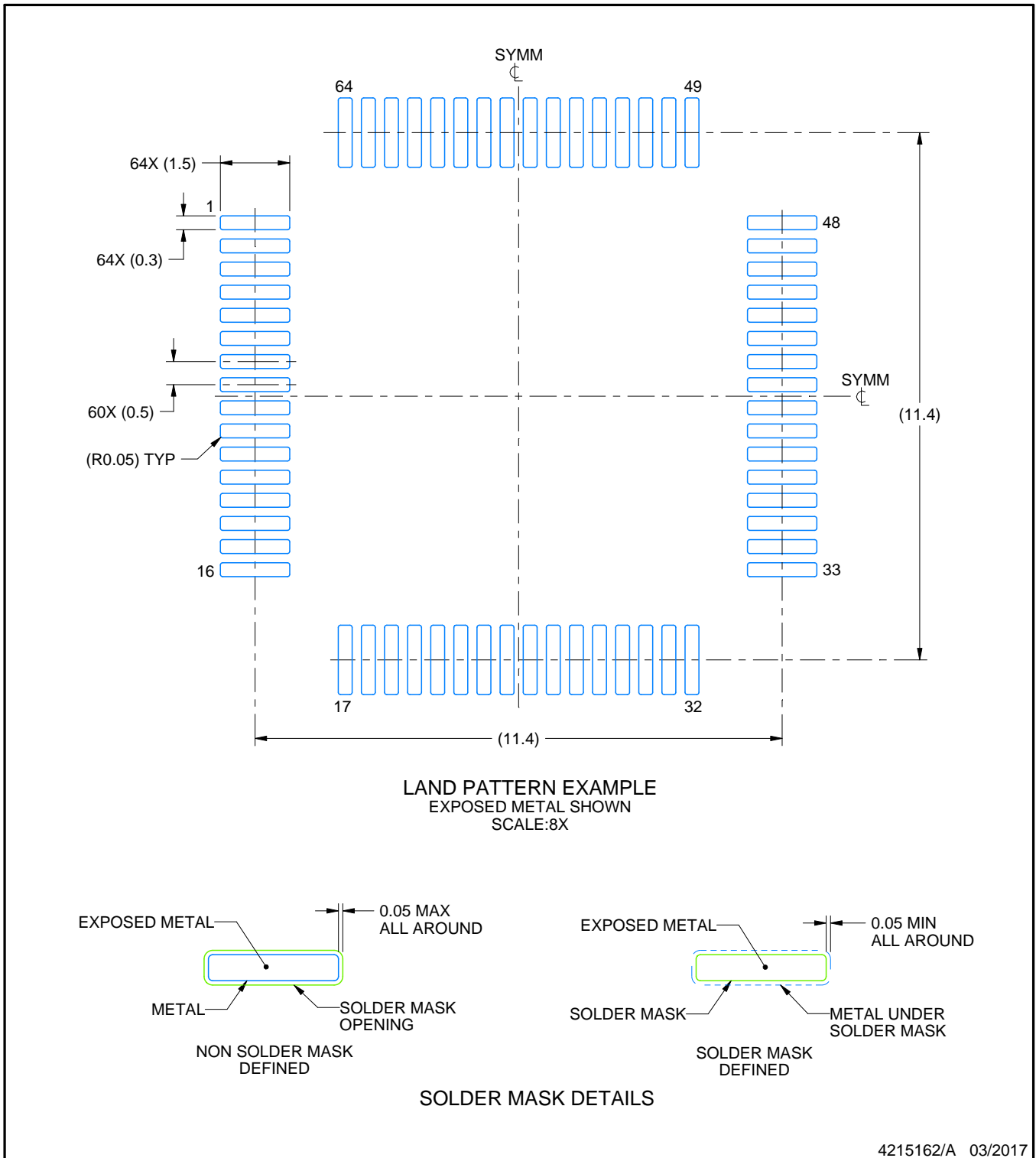
1. All linear dimensions are in millimeters. Any dimensions in parenthesis are for reference only. Dimensioning and tolerancing per ASME Y14.5M.
2. This drawing is subject to change without notice.
3. This dimension does not include mold flash, protrusions, or gate burrs. Mold flash, protrusions, or gate burrs shall not exceed 0.15 mm per side.
4. Reference JEDEC registration MS-026.

# EXAMPLE BOARD LAYOUT

PM0064A

LQFP - 1.6 mm max height

PLASTIC QUAD FLATPACK



NOTES: (continued)

5. Publication IPC-7351 may have alternate designs.
6. Solder mask tolerances between and around signal pads can vary based on board fabrication site.
7. For more information, see Texas Instruments literature number SLMA004 ([www.ti.com/lit/slma004](http://www.ti.com/lit/slma004)).

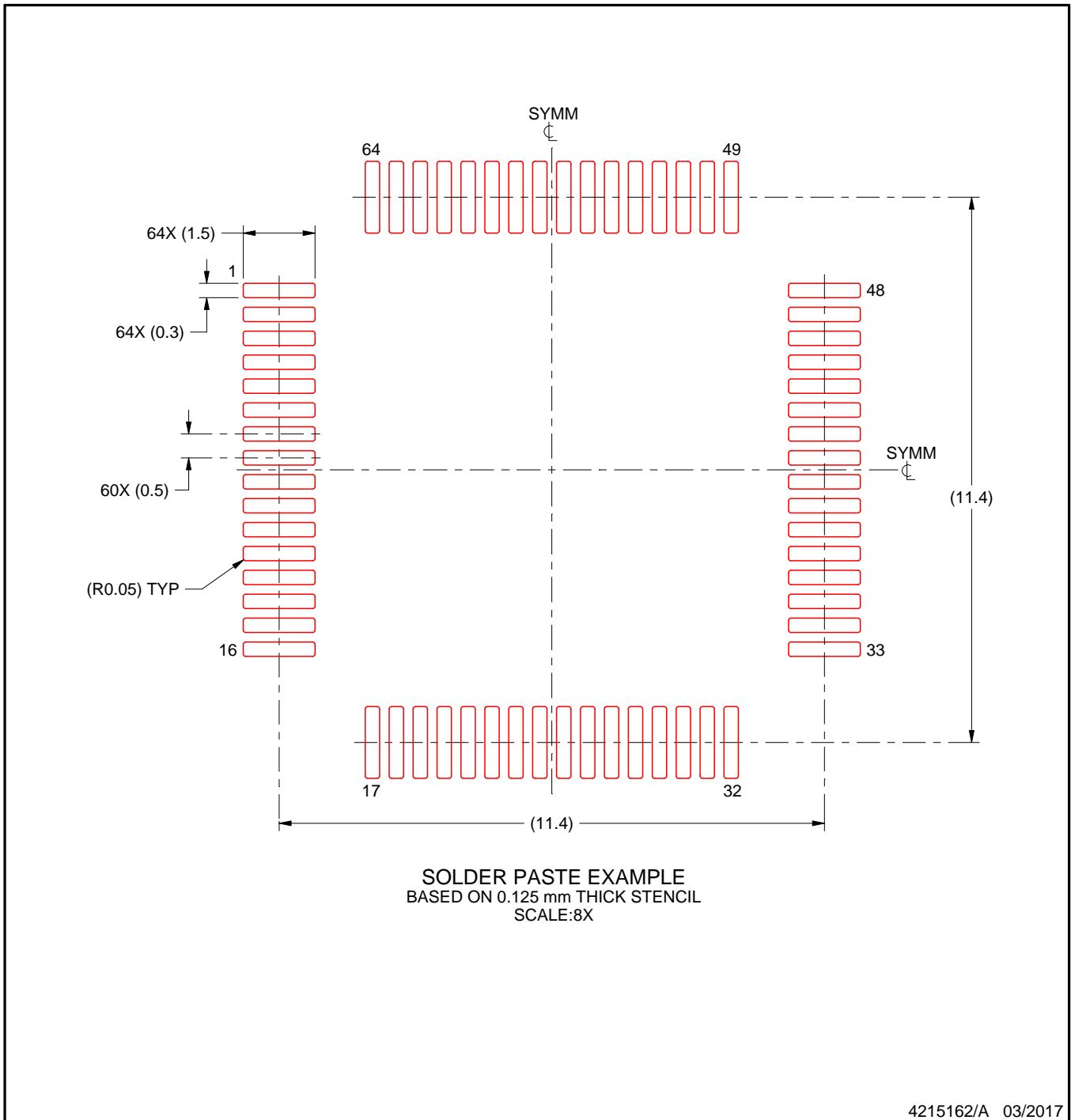


# EXAMPLE STENCIL DESIGN

PM0064A

LQFP - 1.6 mm max height

PLASTIC QUAD FLATPACK



NOTES: (continued)

8. Laser cutting apertures with trapezoidal walls and rounded corners may offer better paste release. IPC-7525 may have alternate design recommendations.
9. Board assembly site may have different recommendations for stencil design.

## IMPORTANT NOTICE AND DISCLAIMER

TI PROVIDES TECHNICAL AND RELIABILITY DATA (INCLUDING DATA SHEETS), DESIGN RESOURCES (INCLUDING REFERENCE DESIGNS), APPLICATION OR OTHER DESIGN ADVICE, WEB TOOLS, SAFETY INFORMATION, AND OTHER RESOURCES "AS IS" AND WITH ALL FAULTS, AND DISCLAIMS ALL WARRANTIES, EXPRESS AND IMPLIED, INCLUDING WITHOUT LIMITATION ANY IMPLIED WARRANTIES OF MERCHANTABILITY, FITNESS FOR A PARTICULAR PURPOSE OR NON-INFRINGEMENT OF THIRD PARTY INTELLECTUAL PROPERTY RIGHTS.

These resources are intended for skilled developers designing with TI products. You are solely responsible for (1) selecting the appropriate TI products for your application, (2) designing, validating and testing your application, and (3) ensuring your application meets applicable standards, and any other safety, security, regulatory or other requirements.

These resources are subject to change without notice. TI grants you permission to use these resources only for development of an application that uses the TI products described in the resource. Other reproduction and display of these resources is prohibited. No license is granted to any other TI intellectual property right or to any third party intellectual property right. TI disclaims responsibility for, and you will fully indemnify TI and its representatives against, any claims, damages, costs, losses, and liabilities arising out of your use of these resources.

TI's products are provided subject to [TI's Terms of Sale](#) or other applicable terms available either on [ti.com](http://ti.com) or provided in conjunction with such TI products. TI's provision of these resources does not expand or otherwise alter TI's applicable warranties or warranty disclaimers for TI products.

TI objects to and rejects any additional or different terms you may have proposed.

Mailing Address: Texas Instruments, Post Office Box 655303, Dallas, Texas 75265  
Copyright © 2022, Texas Instruments Incorporated