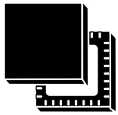
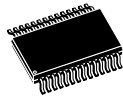


Flash-memory-based device combining TPM 1.2 and TPM 2.0 with an SPI interface



VFQFPN32
(5 × 5 mm)



TSSOP28
(9.7 × 6.4 mm,
4.4 mm body width)

Features

TPM features

- Flash-memory-based Trusted Platform Module (TPM)
- Supporting two modes exclusively with either the TPM 1.2 or the TPM 2.0 command set
- Supporting dynamic switch from one mode to another and capability to lock one mode irreversibly
- For TPM 1.2, compliant with Trusted Computing Group (TCG) Trusted Platform Module (TPM) Main specifications 1.2, Level 2, Revision 116 and TCG PC Client Specific TPM Interface Specifications 1.3
- For TPM 2.0, compliant with Trusted Computing Group (TCG) Trusted Platform Module (TPM) Library specifications 2.0, Level 0, Revision 138 and TCG PC Client Specific TPM Platform Specifications 1.03
- TPM firmware code can be upgraded thanks to a persistent Flash-memory loader application to support new standard evolutions
- Common Criteria (CC) certification according to the TPM 1.2 and TPM 2.0 protection profiles at EAL4+
- FIPS 140-2 level 1 certification for both modes and level 2 for mode TPM2.0
- SPI support for up to 33 MHz in FIFO and CRB protocol modes
- Support for software and hardware physical presence for TPM 1.2 and TPM 2.0

Hardware features

- Arm® SecurCore® SC300™ 32-bit RISC core
- Highly reliable Flash memory technology
- Extended temperature range: -40 °C to 105 °C
- ESD (electrostatic discharge) protection up to 4 kV (HBM)
- 1.8 V or 3.3 V supply voltage range
- 28-lead thin shrink small outline and 32-lead very thin fine pitch quad flat pack ECOPACK packages

Security features

- Active shield and environmental sensors
- Memory protection unit (MPU) used to segregate TPM assets between TPM 1.2 and TPM 2.0 modes
- Monitoring of environmental parameters (power)
- Hardware and software protection against fault injection
- FIPS compliant RNG built on an SP800-90A compliant SHA256 DRBG and an AIS-31 Class PTG2 compliant true random number generator (TRNG)
- Cryptographic algorithms:
 - RSA key generation (1024 or 2048 bits)
 - RSA signature and encryption
 - HMAC SHA-1 & SHA-256
 - AES-128-192-256
 - ECC 224 & 256 bits

Product status link

[ST33TPHF2ESPI](#)



Product compliance

- TPM 1.2 compliant with Microsoft® Windows® 7, 8.1 and 10
- TPM 2.0 compliant with Microsoft Windows 10
- Compliant with Intel® TXT for TPM1.2 and TPM 2.0 in SPI FIFO mode
- TPM 1.2 and TPM 2.0 compliant with the respective TCG test suites

1 Description

The STSAFE-TPM (trusted platform module) family of products offers a broad portfolio of standardized solutions for embedded, PC, mobile and computing applications. STSAFE is an ST trademark.

It includes turnkey products compliant with the Trusted Computing Group (TCG) standards that provide services to protect the confidentiality, integrity and authenticity of information and devices.

These devices are easy to integrate thanks to the variety of supported interfaces and the availability of TPM ecosystem software solutions.

The STSAFE-TPM devices are all Common Criteria (EAL4+) and FIPS certified.

They embed an Arm® SecurCore SC300™ processor with additional security features to help protect against advanced forms of attack.

The **ST33TPHF2ESPI** offers a slave serial peripheral interface (SPI) compliant with the TCG PC Client TPM Profile specifications.

The **ST33TPHF2ESPI** supports two exclusive modes that support either TPM 1.2 or TPM 2.0 commands. The product can be locked irreversibly in TPM 1.2 or TPM 2.0 mode during provisioning, or only after provisioning to provide a smooth migration between TPM 1.2 and TPM 2.0.

The **ST33TPHF2ESPI** operates in the –25 to +85 °C commercial temperature range with a supply and I/O voltage of 1.8 V, or in the –40 °C to 105 °C extended temperature range with a supply and I/O voltage of 3.3 V.

The device is offered in TSSOP28 and VFQFPN32 ECOPACK2 packages. ECOPACK is an ST trademark.

Note: Arm is a registered trademark of Arm Limited (or its subsidiaries) in the US and/or elsewhere.

arm



2 Data brief scope

2.1 ST33TPHF2ESPI products

This document covers the functionality of the [ST33TPHF2ESPI](#) product family, the most recent of which has firmware version 49.40 (73.64 in decimal) preloaded on ST TPM hardware with markings:

- PEAHD0

The information to order the supporting platforms is provided in [Section 8 Ordering information](#).

2.2 Firmware image

The firmware image version 49.40 can be loaded to the ST TPM hardware of the [ST33TPHF2ESPI](#) products, identifiable by their firmware version, which is of the form 49.xx. The ordering codes of the products upgradable to firmware version 49.40 are the following:

- ST33HTPH2ExxAAF0 and ST33HTPH2ExxAAF1 (FW 49.00)
- ST33HTPH2ExxAHB3 and ST33HTPH2ExxAHB4 (FW 49.04)
- ST33HTPH2ExxAHC0 (FW 49.08)

See [Section 9 Firmware image overview](#) for an overview of the available firmware images.

3 Pin and signal description

The two figures below give the pinouts of the two packages in which the devices are delivered. The table describes the associated signals.

Figure 1. TSSOP28 pinout

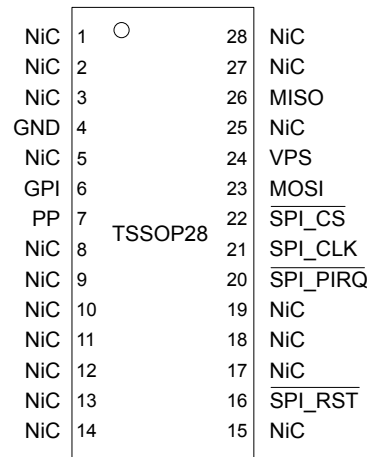


Figure 2. VQFN32 pinout

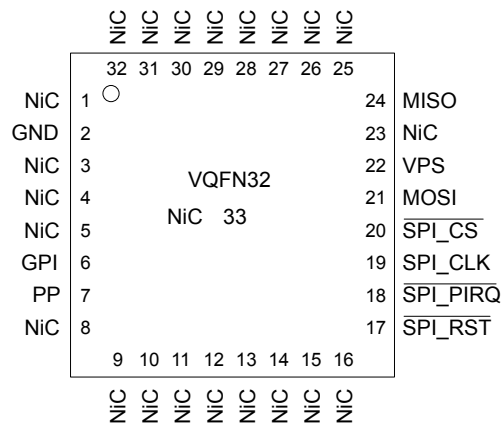


Table 1. Pin descriptions

Signal	Type	Description
VPS	Input	Power supply. This pin must be connected to 1.8 V or 3.3 V DC power rail supplied by the motherboard.
GND	Input	GND has to be connected to the main motherboard ground.
$\overline{\text{SPI_RST}}$	Input	SPI Reset , active low, used to re-initialize the device. Must not be unconnected. External pull-up resistor required if it cannot be driven.
MISO	Output	SPI Master Input, Slave Output (output from slave)
MOSI	Input	SPI Master Output, Slave Input (output from master)
SPI_CLK	Input	SPI Serial Clock (output from master)
$\overline{\text{SPI_CS}}$	Input	SPI Chip (or Slave) Select , internal pull-up (active low; output from master)

Signal	Type	Description
SPI_PIRQ	Output	SPI IRQ , active low, open drain, used by TPM to generate an interrupt
PP	Input	Physical Presence , active high, internal pull-down. Used to indicate Physical Presence.
GPI	Input	Used for activation and deactivation of the TPM Standby mode (TPMLowPowerByGPIO). If this feature is not used, connect an external pull-up resistor (10 kΩ) to this pad.
NiC	-	Not internally connected : not connected to the die. May be left unconnected but no impact on TPM if connected.

Note: The VQFN32 package has a central pad (PIN33) on the bottom, which is not connected to the die. This pin does not impact the TPM, be it connected or not.

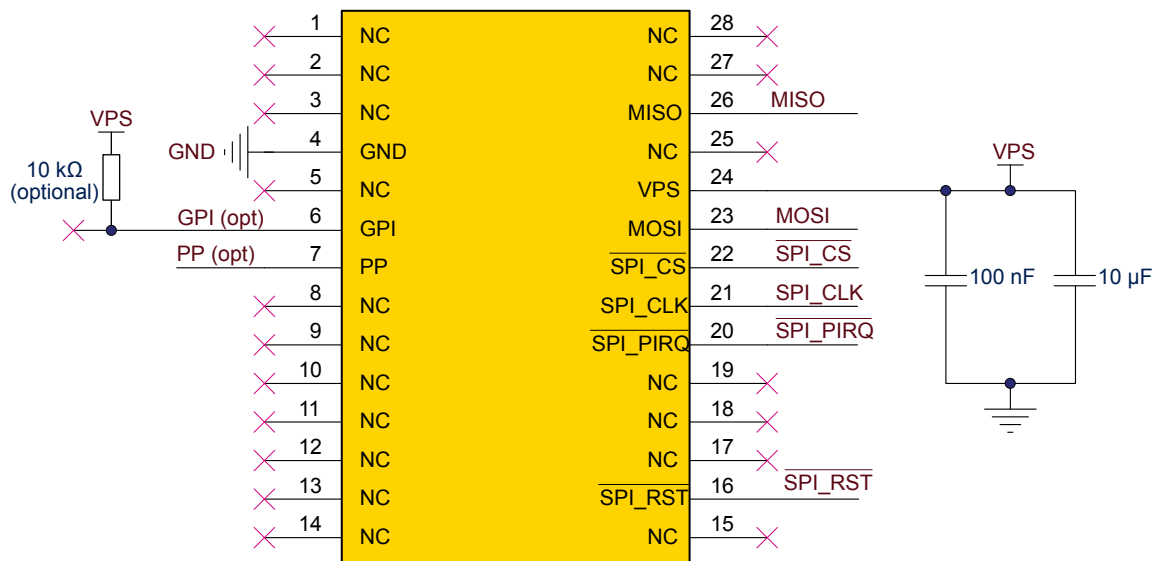
4 Integration guidance

4.1 Typical hardware implementation

The Physical Presence (PP) pin should be connected if platform implementation (at boot level) uses a hardware physical presence function.

The figure below shows the hardware implementation in the case of the TSSOP28 package. The same implementation is also valid for the TSSOP28 and QFN32 packages.

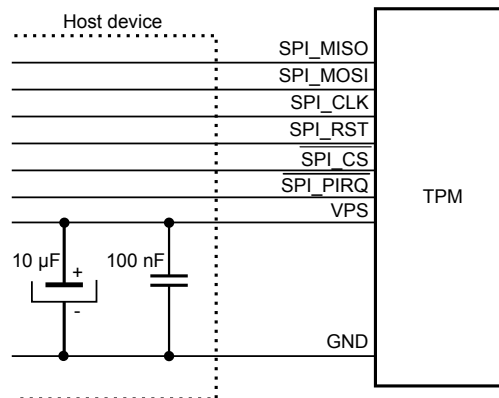
Figure 3. Typical hardware implementation (TSSOP28 package)



4.2 Power supply filtering

As mentioned in [Section 3 Pin and signal description](#), the power supply of the circuit must be filtered using the circuit shown in the figure below.

Figure 4. Mandatory filtering capacitors on V_{PS}



1. 10 µF and 100 nF are recommended values. The minimum required capacitor value is 2.1 µF (2 µF in parallel with 100 nF).

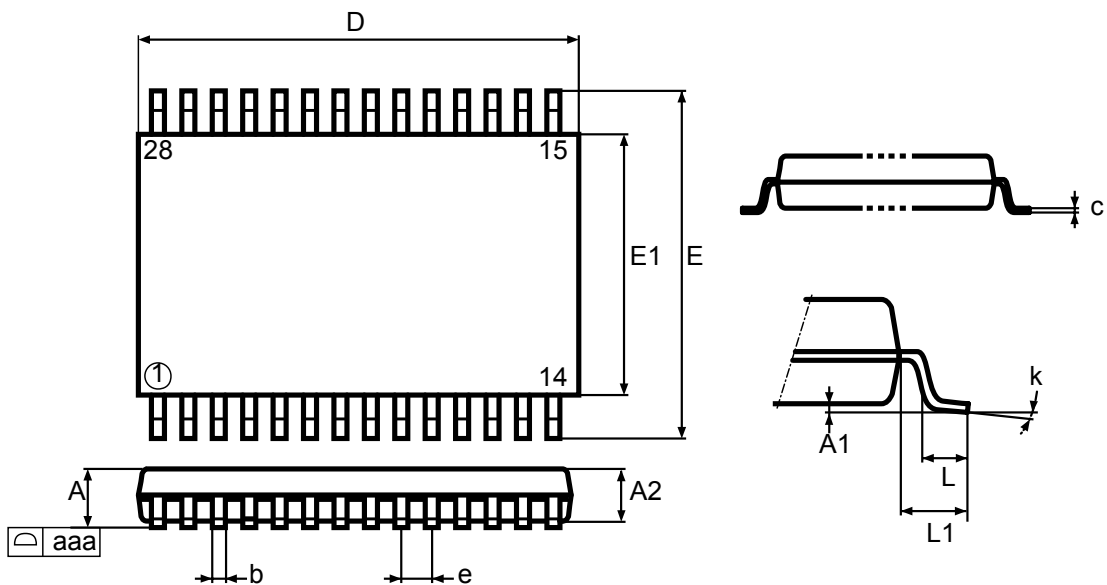
5 Package information

In order to meet environmental requirements, ST offers these devices in different grades of **ECOPACK** packages, depending on their level of environmental compliance. ECOPACK specifications, grade definitions and product status are available at: www.st.com. ECOPACK is an ST trademark.

5.1 TSSOP28 package information

TSSOP28 is a 28-pin, 9.7 × 6.4 mm, 4.4 mm body width, 0.65 mm pitch, thin shrink small outline package. Unless otherwise specified, general tolerance is ± 0.1 mm.

Figure 5. TSSOP28 - outline



1. Drawing is not to scale.

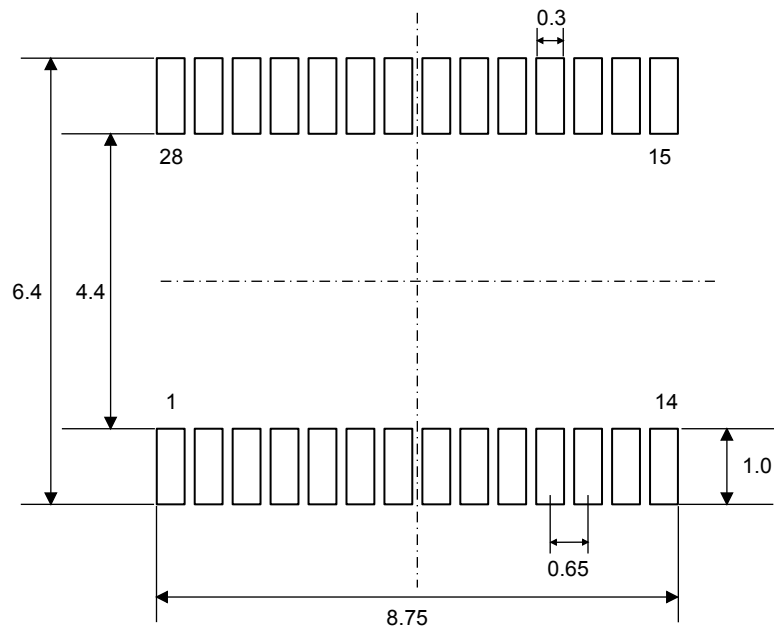
Table 2. TSSOP28 - mechanical data

Symbol	millimeters			inches ⁽¹⁾		
	Min.	Typ.	Max.	Min.	Typ.	Max.
A	-	-	1.200	-	-	0.0472
A1	0.050	-	0.150	0.0020	-	0.0059
A2	0.800	1.000	1.050	0.0315	0.0394	0.0413
b	0.190	-	0.300	0.0075	-	0.0118
c	0.090	-	0.200	0.0035	-	0.0079
D	9.600	9.700	9.800	0.3780	0.3819	0.3858
E	6.200	6.400	6.600	0.2441	0.2520	0.2598
E1	4.300	4.400	4.500	0.1693	0.1732	0.1772
e	-	0.650	-	-	0.0256	-
L	0.450	0.600	0.750	0.0177	0.0236	0.0295
L1	-	1.000	-	-	0.0394	-

Symbol	millimeters			inches ⁽¹⁾		
	Min.	Typ.	Max.	Min.	Typ.	Max.
k	0°	-	8°	0°	-	8°
aaa	-	-	0.100	-	-	0.0039

1. Values in inches are converted from mm and rounded to 4 decimal digits.

Figure 6. TSSOP28 - recommended footprint

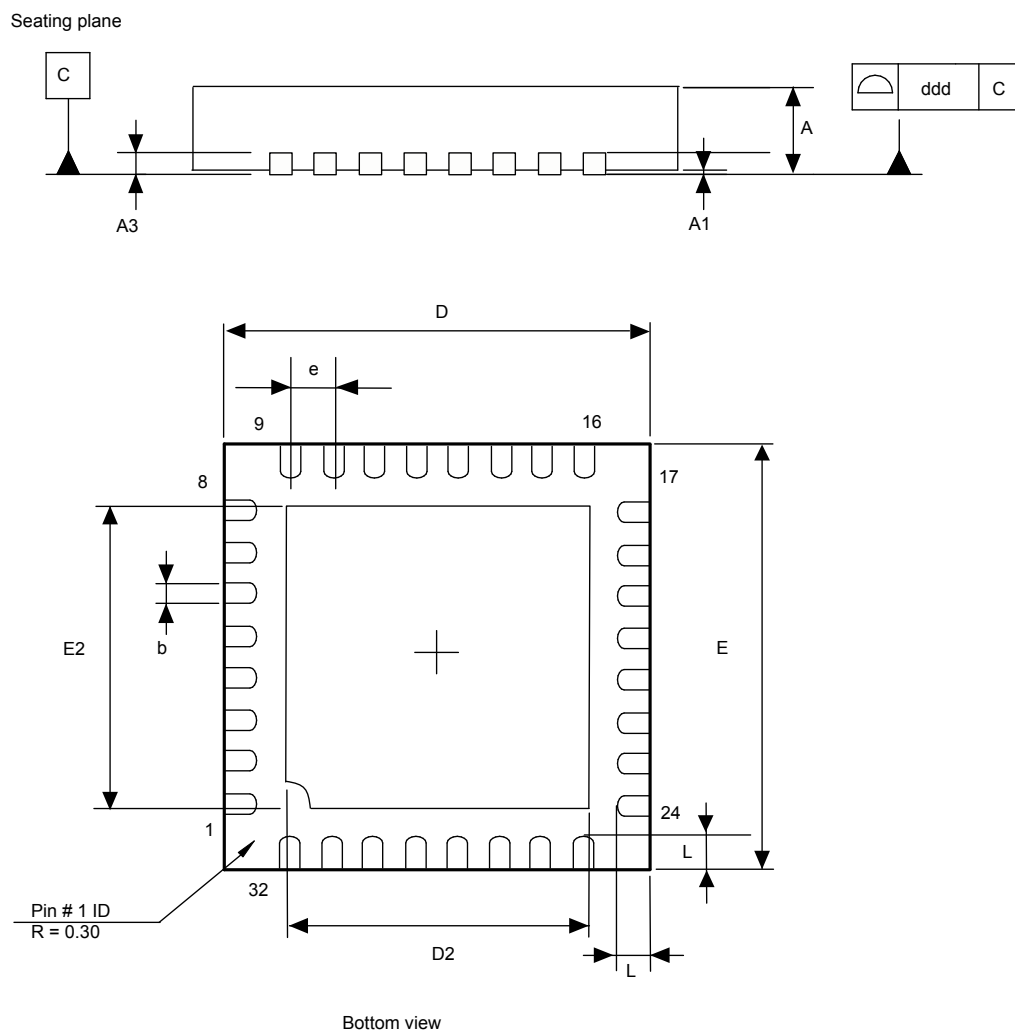


1. All dimensions are in millimeters.

5.2 VFQFPN32 package information

VFQFPN32 is a 32-lead, 5 × 5 mm, 0.5 mm pitch, very thin fine pitch quad flat pack no-lead package.

Figure 7. VFQFPN32 - outline



1. Drawing is not to scale.

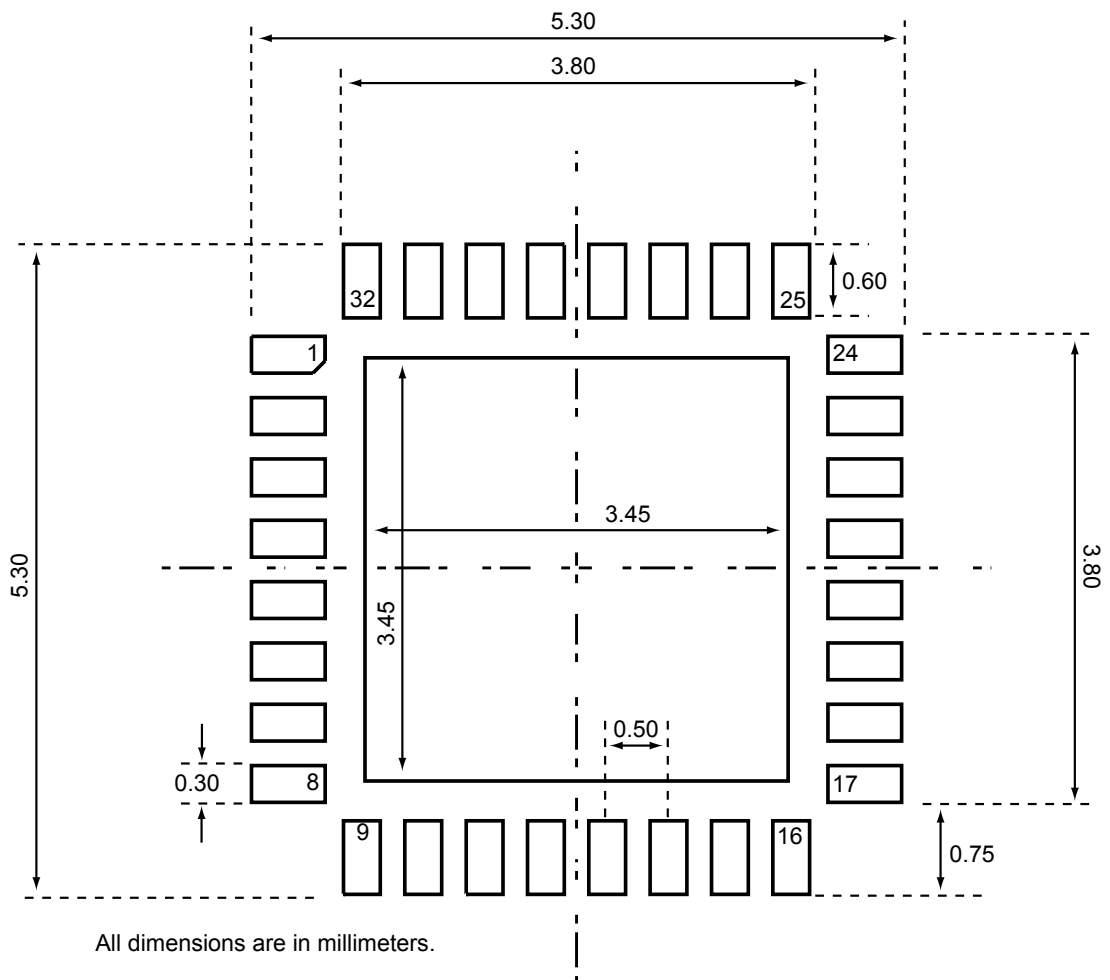
Table 3. VFQFPN32 - mechanical data

Symbol	millimeters			inches ⁽¹⁾		
	Min.	Typ.	Max.	Min.	Typ.	Max.
A	0.800	0.900	1.000	0.0315	0.0354	0.0394
A1	0.000	0.020	0.050	0.0000	0.0008	0.0020
A3	-	0.200	-	-	0.0079	-
b	0.180	0.250	0.300	0.0071	0.0098	0.0118
D	4.850	5.000	5.150	0.1909	0.1969	0.2028
D2	3.500	3.600	3.700	0.1378	0.1417	0.1457

Symbol	millimeters			inches ⁽¹⁾		
	Min.	Typ.	Max.	Min.	Typ.	Max.
E	4.850	5.000	5.150	0.1909	0.1969	0.2028
E2	3.500	3.600	3.700	0.1378	0.1417	0.1457
e	-	0.500	-	-	0.0197	-
L	0.300	0.400	0.500	0.0118	0.0157	0.0197
ddd	-	-	0.050	-	-	0.0020

1. Values in inches are converted from mm and rounded to 4 decimal digits.

Figure 8. VFQFPN32 - recommended footprint



5.3 Thermal characteristics of packages

The table below provides the thermal characteristics of the TSSOP28 and VFQFPN32 packages.

Table 4. Thermal characteristics

Parameter		Symbol	Value
Recommended operating temperature range	Ambient temperature	T_A	-40 to 105 °C
	Case temperature	T_C	-
	Junction temperature	T_J	-43 to 108 °C
Absolute maximum junction temperature		-	125 °C
Maximum power dissipation		-	63 mW
Theta-JA, -JB and -JC	Junction to ambient thermal resistance	θ_{JA}	35.8 at 0 lfpm ⁽¹⁾
	Junction to case thermal resistance	θ_{JC}	1.48 at 0 lfpm ⁽¹⁾
	Junction to board thermal resistance	θ_{JB}	13.9 at 0 lfpm ⁽¹⁾

1. Linear feet per minute.

6 Delivery packing

Surface-mount packages can be supplied with tape and reel packing. The reels have a 13" typical diameter. Reels are in plastic, either anti-static or conductive, with a black conductive cavity tape. The cover tape is transparent anti-static or conductive.

The devices are positioned in the cavities with the identifying pin (normally Pin "1") on the same side as the sprocket holes in the tape.

The STMicroelectronics tape and reel specifications are compliant to the EIA 481-A standard specification.

Table 5. Packages on tape and reel

Package	Description	Tape width	Tape pitch	Reel diameter	Quantity per reel
TSSOP 28	Thin shrink small outline package	16 mm	8 mm	13 in.	2500
VFQFPN 32	Very thin fine pitch quad flat pack no-lead package	12 mm	8 mm	13 in.	3000

Figure 9. Reel diagram

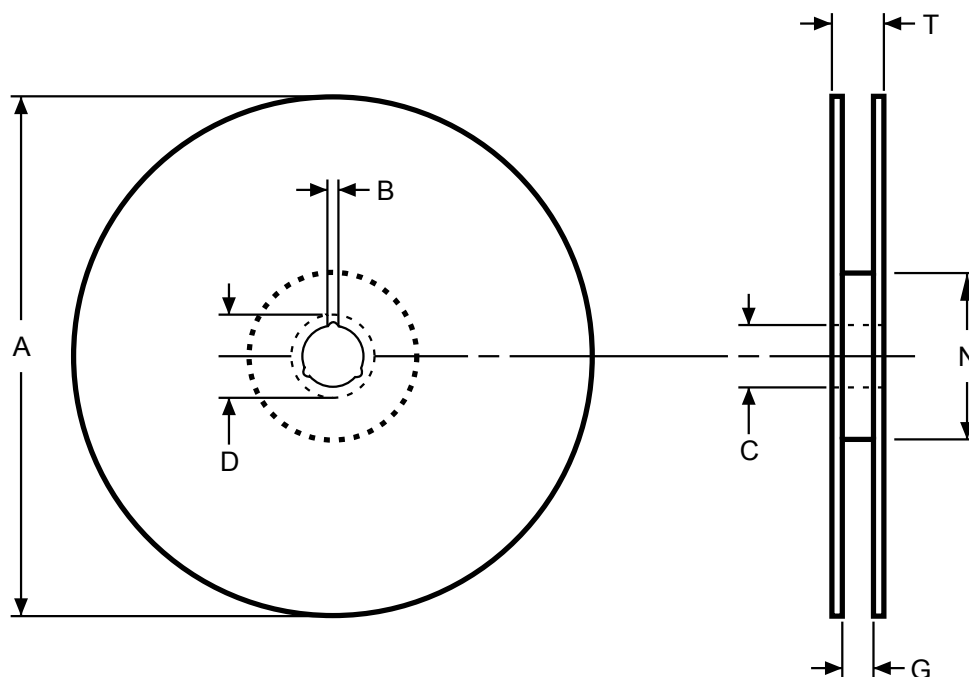
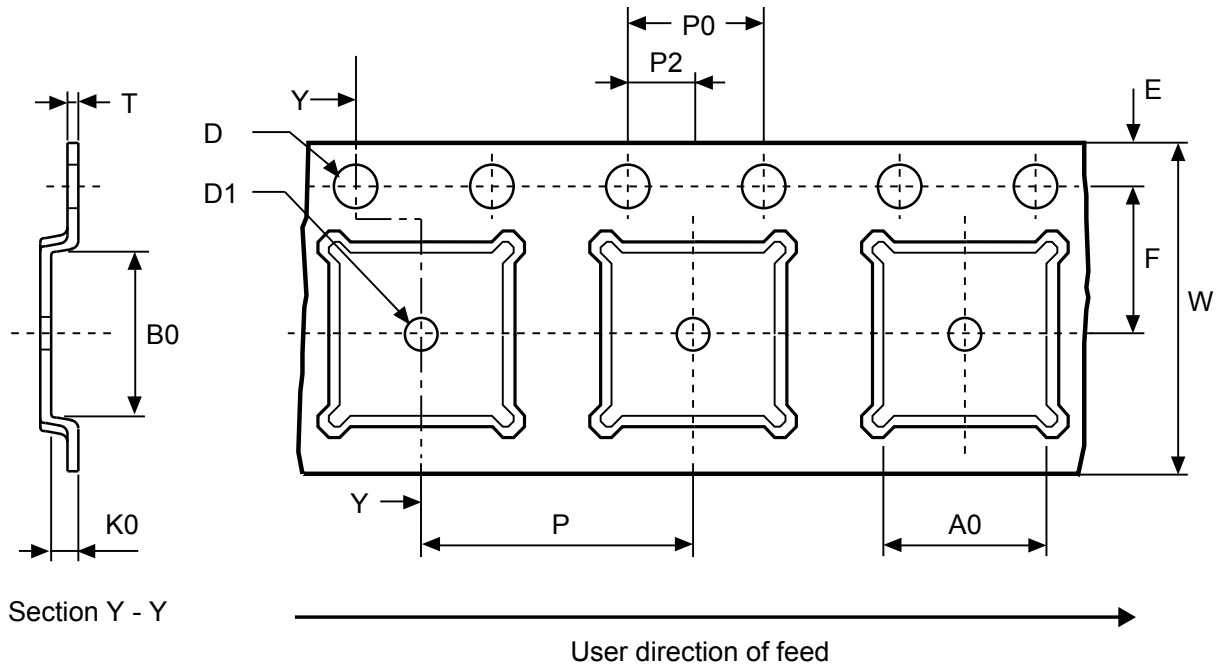


Table 6. Reel dimensions

Reel size	Tape width	A Max.	B Min.	C	D Min.	G Max.	N Min.	T Max.	Unit
13"	16	330	1.5	13 ±0.2	20.2	16.4 +2/-0	100	22.4	mm
	12					12.6		18.4	

Figure 10. Embossed carrier tape for VFQFPN 5 × 5 mm



1. Drawing is not to scale.

Figure 11. Chip orientation in the embossed carrier tape for VFQFPN 5 × 5 mm

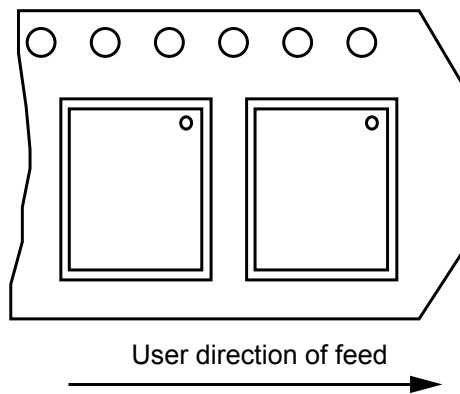
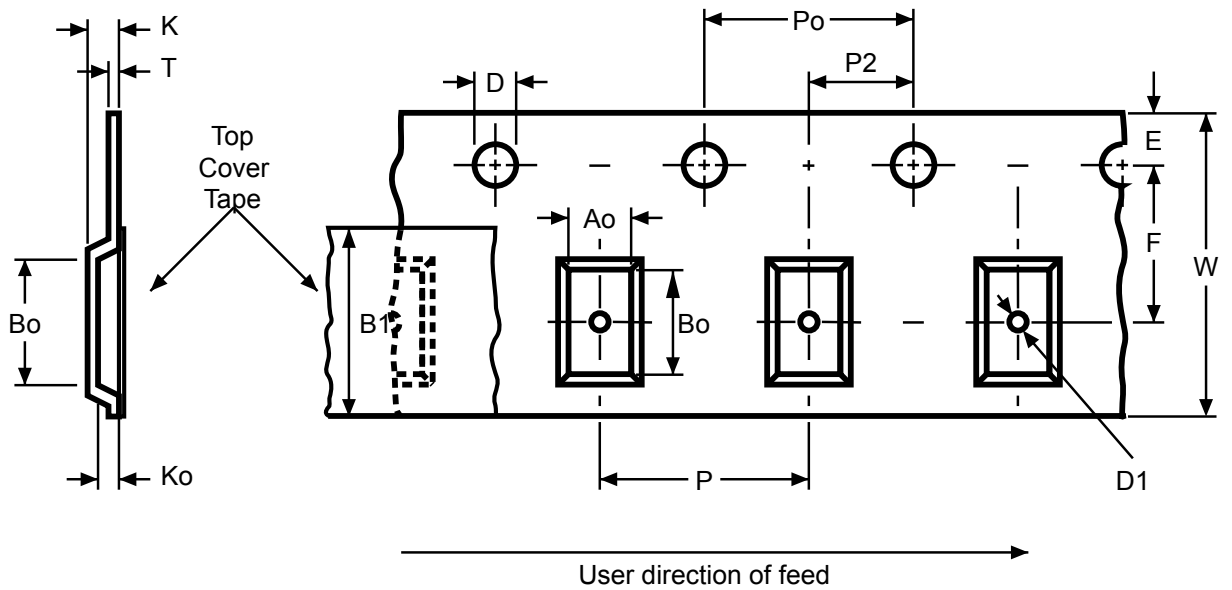


Table 7. Carrier tape dimensions for VFQFPN 5 × 5 mm

Package	A0	B0	K0	D1 Min.	P	P2	D	P0	E	F	W	T Max.	Unit
VFQFPN 5x5	5.25 ±0.1	5.25 ±0.1	1.1 ±0.1	1.5	8 ±0.1	2 ±0.1	1.55 ±0.05	4 ±0.1	1.75 ±0.1	5.5 ±0.1	12 ±0.3	0.3 ±0.05	mm

Figure 12. Embossed carrier tape for TSSOP28 4.4 mm body width



1. Drawing is not to scale.

Figure 13. Chip orientation in the embossed carrier tape for TSSOP28 4.4 mm body width

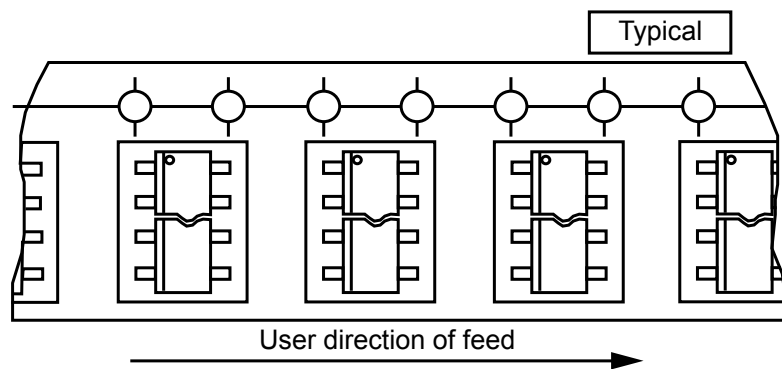


Table 8. Carrier tape constant dimensions for TSSOP 4.4 mm body width

Tape size	Ao, Bo, Ko ⁽¹⁾	D	E	Po	T Max.	Unit
16 mm	See note.	1.5 +0.1 / -0	1.75 ±0.1	4 ±0.1	0.4	mm

1. Ao, Bo, Ko, are determined by components sizes. The clearance between the component and the cavity must be within 0.05 mm (Min.) to 0.90 mm (Max.)

7 Package marking information

The two figures below illustrate the typical markings of the TSSOP28 and the VQFN32 device packages, respectively.

Figure 14. TSSOP28 device package marking area

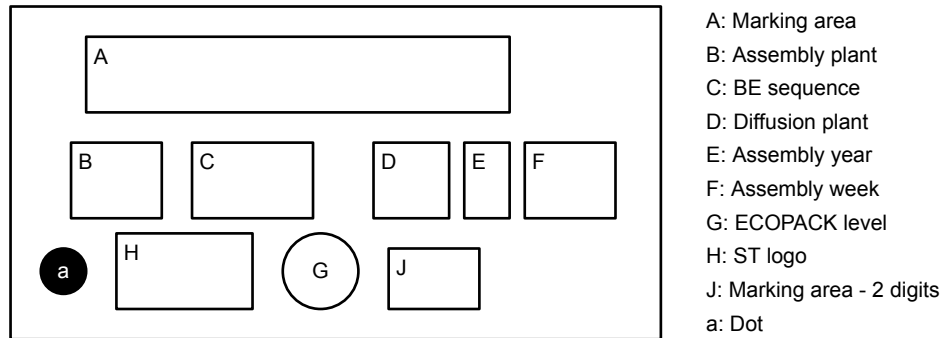
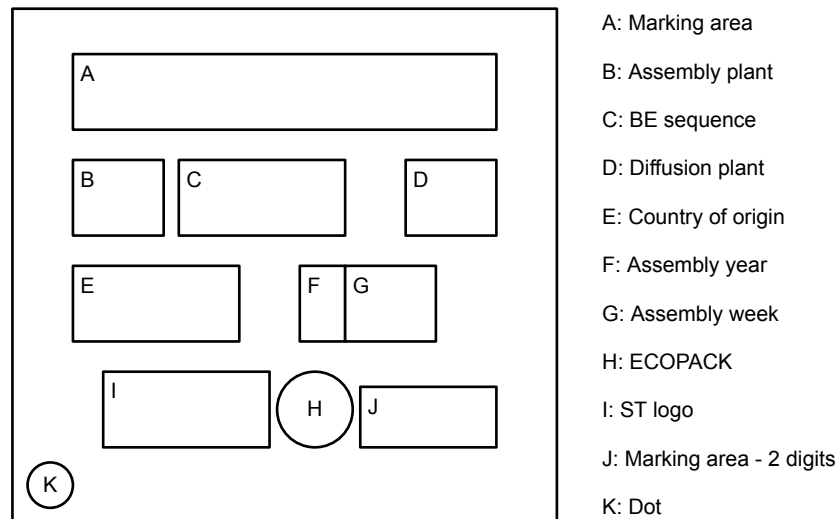


Figure 15. VQFN32 device package marking area



For both packages, the 6-digit 'A' marking area is equal to "PXYZZZ", with:

- Y = Hardware revision
- ZZZ = Product identifier

8 Ordering information

Table 9. Ordering information for ST33TPHF2ESPI products

Ordering code	Default TPM library TPM 2.0 library revision & firmware version	Operating temperature range ⁽¹⁾	Maximum SPI clock frequency	Package	Marking area A	Product status
ST33HTPH2E28AHD0	TPM 2.0 active Rev 1.38	-40 °C to +105 °C	33 MHz	TSSOP28	PEAHD0	Active
ST33HTPH2E32AHD0	0x00 0x49 0x00 0x40			VQFN32		
ST33HTPH2E28AHC0	TPM 2.0 active Rev 1.38	-40 °C to +105 °C	33 MHz	TSSOP28	PEAHC0	NRND (not recommended for new design)
ST33HTPH2E32AHC0	0x00 0x49 0x00 0x08			VQFN32		
ST33HTPH2E28AAF0	TPM 1.2 active Rev 1.16	-40 °C to +105 °C	33 MHz	TSSOP28	P68HAAF0	NRND (not recommended for new design)
ST33HTPH2E32AAF0	0x01 0x02 0x49 0x00			VQFN32		
ST33HTPH2E28AAF1	TPM 2.0 active Rev 1.16	-40 °C to +105 °C	33 MHz	TSSOP28	P68HAAF1	NRND (not recommended for new design)
ST33HTPH2E32AAF1	0x00 0x49 0x00 0x00			VQFN32		
ST33HTPH2E28AHB3	TPM 1.2 active Rev 1.16	-40 °C to +105 °C	33 MHz	TSSOP28	P68HAHB3	NRND (not recommended for new design)
ST33HTPH2E32AHB3	0x01 0x02 0x49 0x04			VQFN32		
ST33HTPH2E28AHB4	TPM 2.0 active Rev 1.16	-40 °C to +105 °C	33 MHz	TSSOP28	P68HAHB4	NRND (not recommended for new design)
ST33HTPH2E32AHB4	0x00 0x49 0x00 0x04			VQFN32		

1. Refer to [Section 1 Description](#) for the operating voltages associated with the different operating temperature ranges.

9 Firmware image overview

Table 10. Firmware image overview for the ST33TPHF2ESPI products

Firmware version	Firmware version (TPM capability)	TPM 2.0 library revision	Product status
73.00	0x00 0x49 0x00 0x00	1.16	NRND (not recommended for new design)
73.04	0x00 0x49 0x00 0x04	1.16	NRND (not recommended for new design)
73.20	0x00 0x49 0x00 0x14	1.16	Active
73.08	0x00 0x49 0x00 0x08	1.38	NRND (not recommended for new design)
73.64	0x00 0x49 0x00 0x40	1.38	Active

Table 11. Commercial product supporting the update with firmware image version 73.20

xx = 28 for products delivered in TSSOP28, and 32 for products delivered in QFN32 packages.

Commercial products	Firmware preloaded in factory
ST33HTPH2ExxAAF0	73.00
ST33HTPH2ExxAAF1	0x00 0x49 0x00 0x00
ST33HTPH2ExxAHB3	73.04
ST33HTPH2ExxAHB4	0x00 0x49 0x00 0x04

Table 12. Commercial product supporting the update with firmware image version 73.64

xx = 28 for products delivered in TSSOP28, and 32 for products delivered in QFN32 packages.

Commercial products	Firmware preloaded in factory
ST33HTPH2ExxAAF0	73.00
ST33HTPH2ExxAAF1	0x00 0x49 0x00 0x00
ST33HTPH2ExxAHB3	73.04
ST33HTPH2ExxAHB4	0x00 0x49 0x00 0x04
ST33HTPH2ExxAHC0	73.08 0x00 0x49 0x00 0x08

10 Support and information

Additional information regarding ST TPM devices can be obtained from the www.st.com website.
For any specific support information you can contact STMicroelectronics through the following e-mail:
TPMsupport@list.st.com.

Appendix A Terms and abbreviations

Table 13. List of abbreviations

Term	Meaning
AES	Advanced Encryption Standard
CC	Common Criteria
DES	Data Encryption Standard
DRBG	Deterministic random-bit generator
EAL	Evaluation assurance level
EC	Elliptic curve
ECC	Elliptic curve cryptography
ESD	Electrostatic discharge
FIFO	First in first out
FIPS	Federal Information Processing Standard
FW	Firmware
GPI	General-purpose input
HBM	Human body model
HMAC	Keyed-Hashing for message authentication
MPU	Memory protection unit
NIST	National Institute of Standards and Technology
NRND	Not recommended for new design
RNG	Random number generator
RSA	Rivest Shamir Adelman
SHA	Secure Hash algorithm
SPI	Serial Peripheral Interface
ST	STMicroelectronics
TCG	Trusted Computed Group
TIS	TPM interface specification
TPM	Trusted Platform Module
TRNG	True random number generator

Revision history

Table 14. Document revision history

Date	Version	Changes
12-Nov-2015	1	Initial release.
26-Apr-2018	2	<p>In Features, updated:</p> <ul style="list-style-type: none"> • TPM features. • Temperature range. • Updated CC and FIPS certification status. • Supported cryptographic algorithms • Product compliance <p>Updated Appendix B: Referenced documents and references in the data brief.</p> <p>Updated Section 1.1: Security certifications.</p> <p>Added Section 2: Data brief scope.</p> <p>Updated Section 3: Pin and signal description.</p> <p>Added Section 4: Integration guidance.</p> <p>Added Section 9: Ordering information.</p> <p>Updated document reference to DB2716.</p> <p>Small text changes.</p>
04-Jul-2019	3	<p>Added STSAFE-TPM logo on cover page.</p> <p>Updated Product compliance.</p> <p>Reorganized Section 1 Description.</p> <p>Updated Section 2.1 ST33TPHF2ESPI products and Section 2.2 Firmware image.</p> <p>Updated product marking. See:</p> <ul style="list-style-type: none"> • Section 2.1 ST33TPHF2ESPI products • Section 7 Package marking information • Section 8 Ordering information <p>Updated Figure 6. TSSOP28 - recommended footprint.</p> <p>Added Section 5.3 Thermal characteristics of packages.</p> <p>Removed list of references.</p> <p>Small text changes.</p>
12-Nov-2019	4	<p>Updated data brief for firmware version 49.40 (73.64 in decimal):</p> <ul style="list-style-type: none"> • Updated Section 2.1 ST33TPHF2ESPI products. • Updated Section 2.2 Firmware image. • Updated descriptions of SPI_RST and GPI in Section 3 Pin and signal description. • Added optional external pull-up resistor to GPI line in Figure 3. Typical hardware implementation (TSSOP28 package). • Added θ_{JC} and θ_{JB} values to Table 4. Thermal characteristics. • Updated Figure 14. TSSOP28 device package marking area. • Updated Table 9. Ordering information for ST33TPHF2ESPI products. • Added Section 9 Firmware image overview. <p>Small text changes.</p>

Contents

1	Description	3
2	Data brief scope	4
2.1	ST33TPHF2ESPI products	4
2.2	Firmware image	4
3	Pin and signal description	5
4	Integration guidance	7
4.1	Typical hardware implementation	7
4.2	Power supply filtering	8
5	Package information	9
5.1	28-pin thin shrink small outline package information	9
5.2	32-lead very thin fine pitch quad flat pack no-lead (VFQFPN) package information	10
5.3	Thermal characteristics of packages	13
6	Delivery packing	14
7	Package marking information	17
8	Ordering information	18
9	Firmware image overview	19
10	Support and information	20
	Appendix A Terms and abbreviations	21
	Revision history	22
	Contents	23
	List of tables	24
	List of figures	25

List of tables

Table 1.	Pin descriptions	5
Table 2.	TSSOP28 - mechanical data	9
Table 3.	VFQFPN32 - mechanical data	11
Table 4.	Thermal characteristics	13
Table 5.	Packages on tape and reel	14
Table 6.	Reel dimensions	14
Table 7.	Carrier tape dimensions for VFQFPN 5 × 5 mm	15
Table 8.	Carrier tape constant dimensions for TSSOP 4.4 mm body width	16
Table 9.	Ordering information for ST33TPHF2ESPI products	18
Table 10.	Firmware image overview for the ST33TPHF2ESPI products	19
Table 11.	Commercial product supporting the update with firmware image version 73.20	19
Table 12.	Commercial product supporting the update with firmware image version 73.64	19
Table 13.	List of abbreviations	21
Table 14.	Document revision history	22

List of figures

Figure 1.	TSSOP28 pinout.	5
Figure 2.	VQFN32 pinout.	5
Figure 3.	Typical hardware implementation (TSSOP28 package)	7
Figure 4.	Mandatory filtering capacitors on V_{PS}	8
Figure 5.	TSSOP28 - outline	9
Figure 6.	TSSOP28 - recommended footprint.	10
Figure 7.	VFQFPN32 - outline	11
Figure 8.	VFQFPN32 - recommended footprint.	12
Figure 9.	Reel diagram	14
Figure 10.	Embossed carrier tape for VFQFPN 5 × 5 mm	15
Figure 11.	Chip orientation in the embossed carrier tape for VFQFPN 5 × 5 mm.	15
Figure 12.	Embossed carrier tape for TSSOP28 4.4 mm body width	16
Figure 13.	Chip orientation in the embossed carrier tape for TSSOP28 4.4 mm body width	16
Figure 14.	TSSOP28 device package marking area	17
Figure 15.	VQFN32 device package marking area	17

IMPORTANT NOTICE – PLEASE READ CAREFULLY

STMicroelectronics NV and its subsidiaries (“ST”) reserve the right to make changes, corrections, enhancements, modifications, and improvements to ST products and/or to this document at any time without notice. Purchasers should obtain the latest relevant information on ST products before placing orders. ST products are sold pursuant to ST’s terms and conditions of sale in place at the time of order acknowledgement.

Purchasers are solely responsible for the choice, selection, and use of ST products and ST assumes no liability for application assistance or the design of Purchasers’ products.

No license, express or implied, to any intellectual property right is granted by ST herein.

Resale of ST products with provisions different from the information set forth herein shall void any warranty granted by ST for such product.

ST and the ST logo are trademarks of ST. For additional information about ST trademarks, please refer to www.st.com/trademarks. All other product or service names are the property of their respective owners.

Information in this document supersedes and replaces information previously supplied in any prior versions of this document.

© 2019 STMicroelectronics – All rights reserved