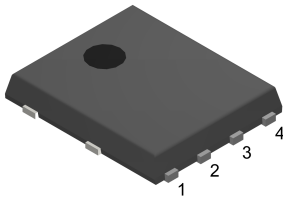
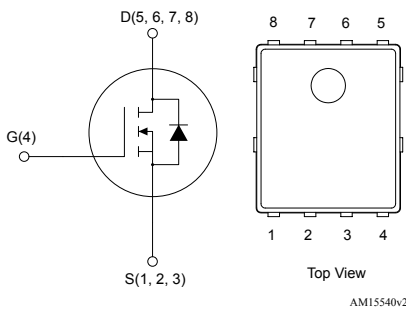


N-channel 30 V, 1.4 mΩ typ., 35 A STripFET F5 Power MOSFET in a PowerFLAT 5x6 package


PowerFLAT 5x6


Features

Order code	V_{DS}	$R_{DS(on)}$ max.	I_D
STL150N3LLH5	30 V	1.75 mΩ	35 A ⁽¹⁾

1. The value is rated according $R_{thj-pcb}$.

- Low on-resistance $R_{DS(on)}$
- High avalanche ruggedness
- Low gate drive power loss

Applications

- Switching applications

Description

This N-channel Power MOSFET is developed using the STripFET F5 technology and has been optimized to achieve very low on-state resistance, contributing to a FoM that is among the best in its class.



Product status link

[STL150N3LLH5](#)

Product summary

Order code	STL150N3LLH5
Marking	150N3LH5
Package	PowerFLAT 5x6
Packing	Tape and reel

1 Electrical ratings

Table 1. Absolute maximum ratings

Symbol	Parameter	Value	Unit
V_{DS}	Drain-source voltage	30	V
V_{GS}	Gate-source voltage	±22	V
$I_D^{(1)}$	Drain current (continuous) at $T_C = 25\text{ °C}$	195	A
	Drain current (continuous) at $T_C = 100\text{ °C}$	122	
$I_D^{(2)}$	Drain current (continuous) at $T_{pcb} = 25\text{ °C}$	35	A
	Drain current (continuous) at $T_{pcb} = 100\text{ °C}$	21.8	
$I_{DM}^{(3)}$	Drain current (pulsed)	140	A
$P_{TOT}^{(1)}$	Total power dissipation at $T_C = 25\text{ °C}$	114	W
$P_{TOT}^{(2)}$	Total power dissipation at $T_{pcb} = 25\text{ °C}$	4	W
T_{stg}	Storage temperature range	-55 to 150	°C
T_J	Operating junction temperature range		

1. This value is rated according to R_{thj-c} .
2. This value is rated according to $R_{thj-pcb}$.
3. Pulse width is limited by safe operating area.

Table 2. Thermal data

Symbol	Parameter	Value	Unit
$R_{thj-case}$	Thermal resistance junction-case	1.1	°C/W
$R_{thj-pcb}^{(1)}$	Thermal resistance junction-pcb	31.3	

1. When mounted on a 1-inch² FR-4 board, 2oz Cu, $t < 10\text{ s}$.

Table 3. Avalanche characteristics

Symbol	Parameter	Value	Unit
I_{AV}	Not-repetitive avalanche current (pulse width limited by T_J max)	17	A
E_{AS}	Single pulse avalanche energy (starting $T_J = 25\text{ °C}$, $I_D = I_{AV}$, $V_{DD} = 24\text{ V}$)	300	mJ

2 Electrical characteristics

($T_C = 25\text{ °C}$ unless otherwise specified)

Table 4. On/off states

Symbol	Parameter	Test conditions	Min.	Typ.	Max.	Unit
$V_{(BR)DSS}$	Drain-source breakdown voltage	$V_{GS} = 0\text{ V}$, $I_D = 250\text{ }\mu\text{A}$	30			V
I_{DSS}	Zero gate voltage drain current	$V_{GS} = 0\text{ V}$, $V_{DS} = 30\text{ V}$			1	μA
		$V_{GS} = 0\text{ V}$, $V_{DS} = 30\text{ V}$, $T_C = 125\text{ °C}$			10	μA
I_{GSS}	Gate-body leakage current	$V_{DS} = 0\text{ V}$, $V_{GS} = \pm 22\text{ V}$			± 100	nA
$V_{GS(th)}$	Gate threshold voltage	$V_{DS} = V_{GS}$, $I_D = 250\text{ }\mu\text{A}$	1	1.55	2.2	V
$R_{DS(on)}$	Static drain-source on-resistance	$V_{GS} = 10\text{ V}$, $I_D = 17.5\text{ A}$		1.4	1.75	m Ω
		$V_{GS} = 4.5\text{ V}$, $I_D = 17.5\text{ A}$		1.9	2.4	m Ω

Table 5. Dynamic

Symbol	Parameter	Test conditions	Min.	Typ.	Max.	Unit
C_{iss}	Input capacitance	$V_{DS} = 25\text{ V}$, $f = 1\text{ MHz}$, $V_{GS} = 0\text{ V}$	-	5800	-	pF
C_{oss}	Output capacitance		-	1147	-	
C_{rss}	Reverse transfer capacitance		-	127	-	
Q_g	Total gate charge	$V_{DD} = 15\text{ V}$, $I_D = 35\text{ A}$, $V_{GS} = 4.5\text{ V}$ (see Figure 13. Test circuit for gate charge behavior)	-	40	-	nC
Q_{gs}	Gate-source charge		-	13.4	-	
Q_{gd}	Gate-drain charge		-	14.9	-	
R_g	Gate input resistance	$f = 1\text{ MHz}$, gate DC Bias = 0 V, test signal level = 20 mV, $I_D = 0\text{ V}$	-	1.1	-	Ω

Table 6. Switching times

Symbol	Parameter	Test conditions	Min.	Typ.	Max.	Unit
$t_{d(on)}$	Turn-on delay time	$V_{DD} = 15\text{ V}$, $I_D = 17.5\text{ A}$, $R_G = 4.7\text{ }\Omega$, $V_{GS} = 10\text{ V}$	-	17.2	-	ns
t_r	Rise time		-	30.8	-	
$t_{d(off)}$	Turn-off delay time	(see Figure 12. Test circuit for resistive load switching times and Figure 17. Switching time waveform)	-	65.8	-	
t_f	Fall time		-	47.8	-	

Table 7. Source-drain diode

Symbol	Parameter	Test conditions	Min.	Typ.	Max.	Unit
I_{SD}	Source-drain current		-		35	A
$I_{SDM}^{(1)}$	Source-drain current (pulsed)		-		140	A
$V_{SD}^{(2)}$	Forward on voltage	$V_{GS} = 0\text{ V}$, $I_{SD} = 35\text{ A}$	-		1.1	V
t_{rr}	Reverse recovery time	$I_{SD} = 35\text{ A}$, $di/dt = 100\text{ A}/\mu\text{s}$, $V_{DD} = 25\text{ V}$	-	43.8		ns
Q_{rr}	Reverse recovery charge	(see Figure 14. Test circuit for inductive load switching and diode recovery times)	-	46		nC
I_{RRM}	Reverse recovery current		-	2.1		A

1. Pulse width limited by safe operating area.
2. Pulsed: pulse duration = 300 μs , duty cycle 1.5%.

2.1 Electrical characteristics (curves)

Figure 1. Safe operating area

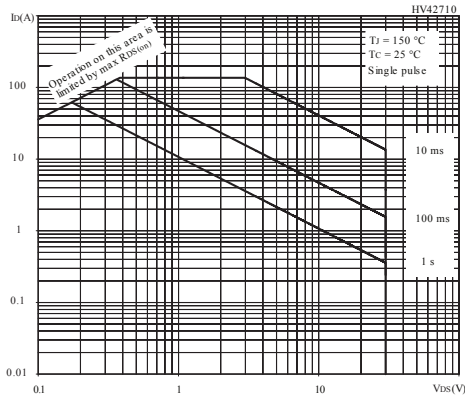


Figure 2. Thermal impedance

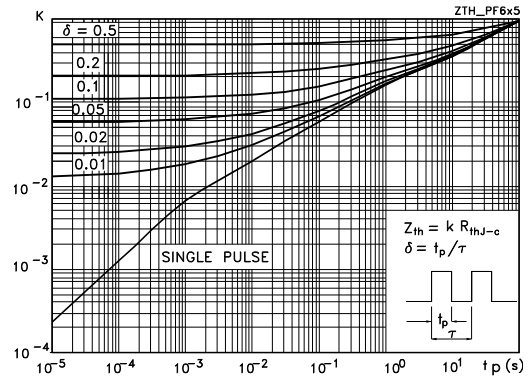


Figure 3. Output characteristics

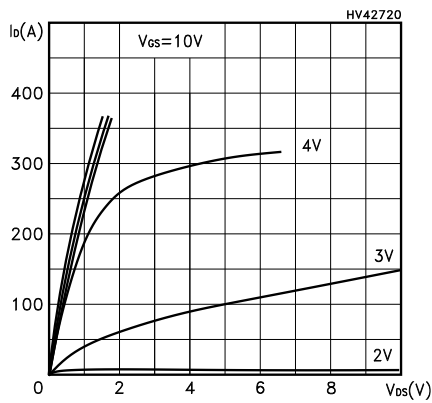


Figure 4. Transfer characteristics

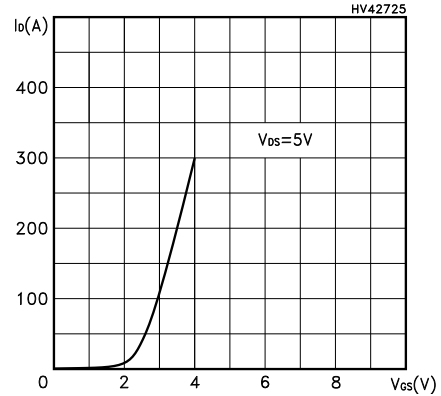


Figure 5. Normalized $B_{V_{DS}}$ vs temperature

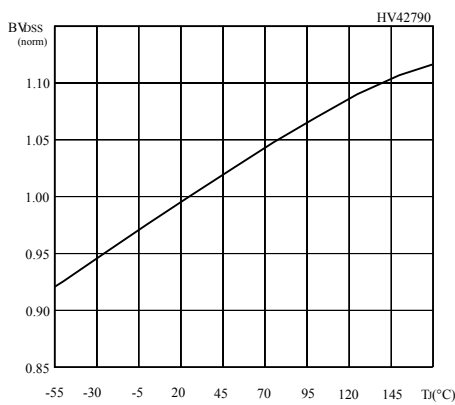


Figure 6. Static drain-source on-resistance

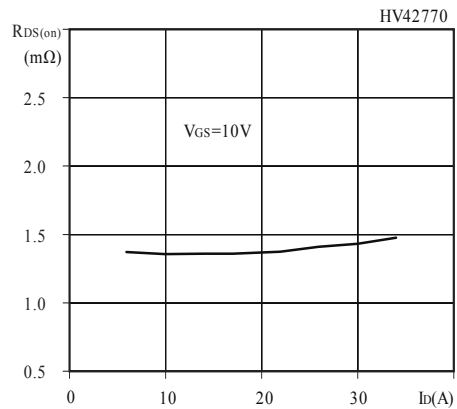


Figure 7. Gate charge vs gate-source voltage

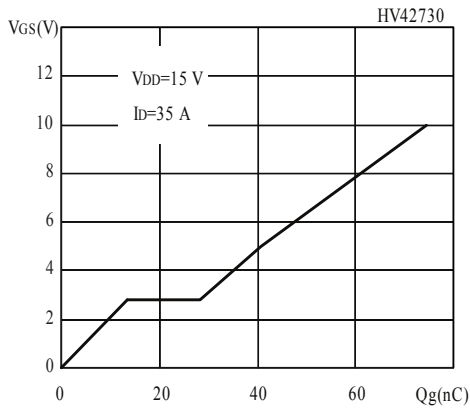


Figure 8. Capacitance variations

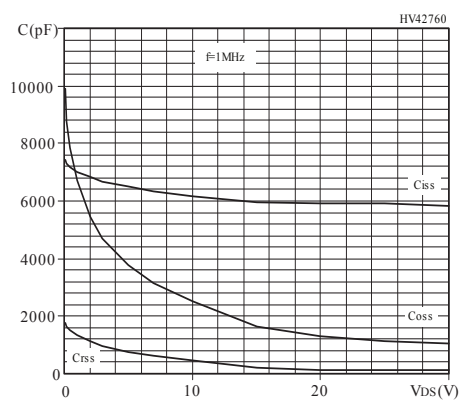


Figure 9. Normalized gate threshold voltage vs temperature

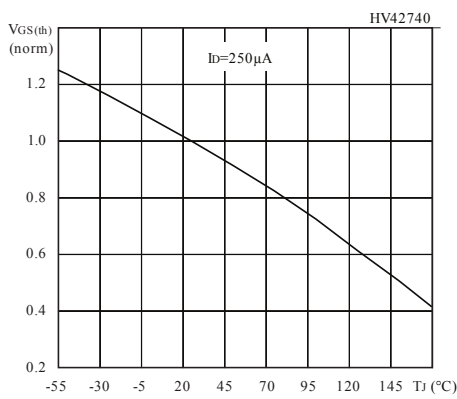


Figure 10. Normalized on-resistance vs temperature

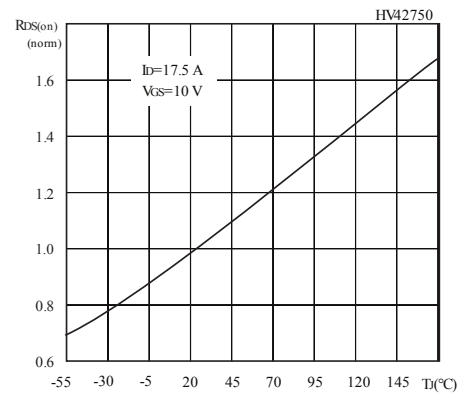
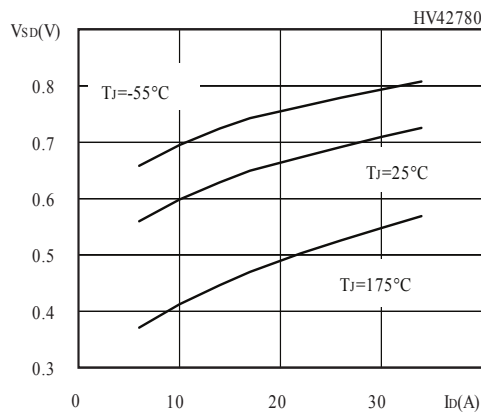
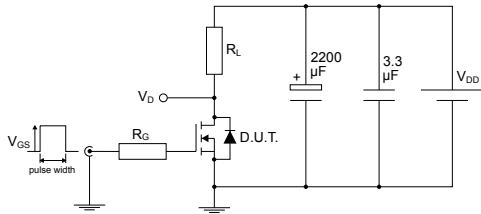


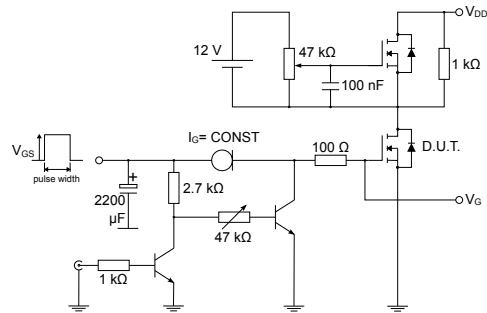
Figure 11. Source-drain diode forward characteristics



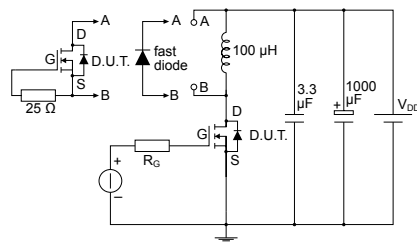
3 Test circuits

Figure 12. Test circuit for resistive load switching times


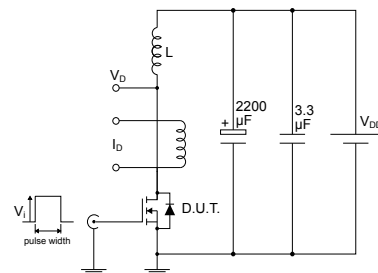
AM01468v1

Figure 13. Test circuit for gate charge behavior


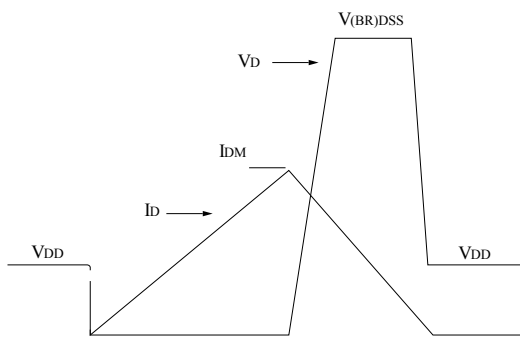
AM01469v1

Figure 14. Test circuit for inductive load switching and diode recovery times


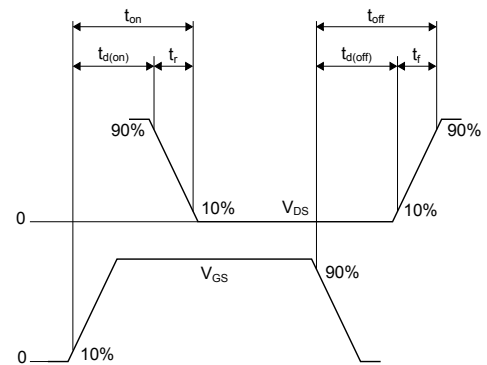
AM01470v1

Figure 15. Unclamped inductive load test circuit


AM01471v1

Figure 16. Unclamped inductive waveform


AM01472v1

Figure 17. Switching time waveform


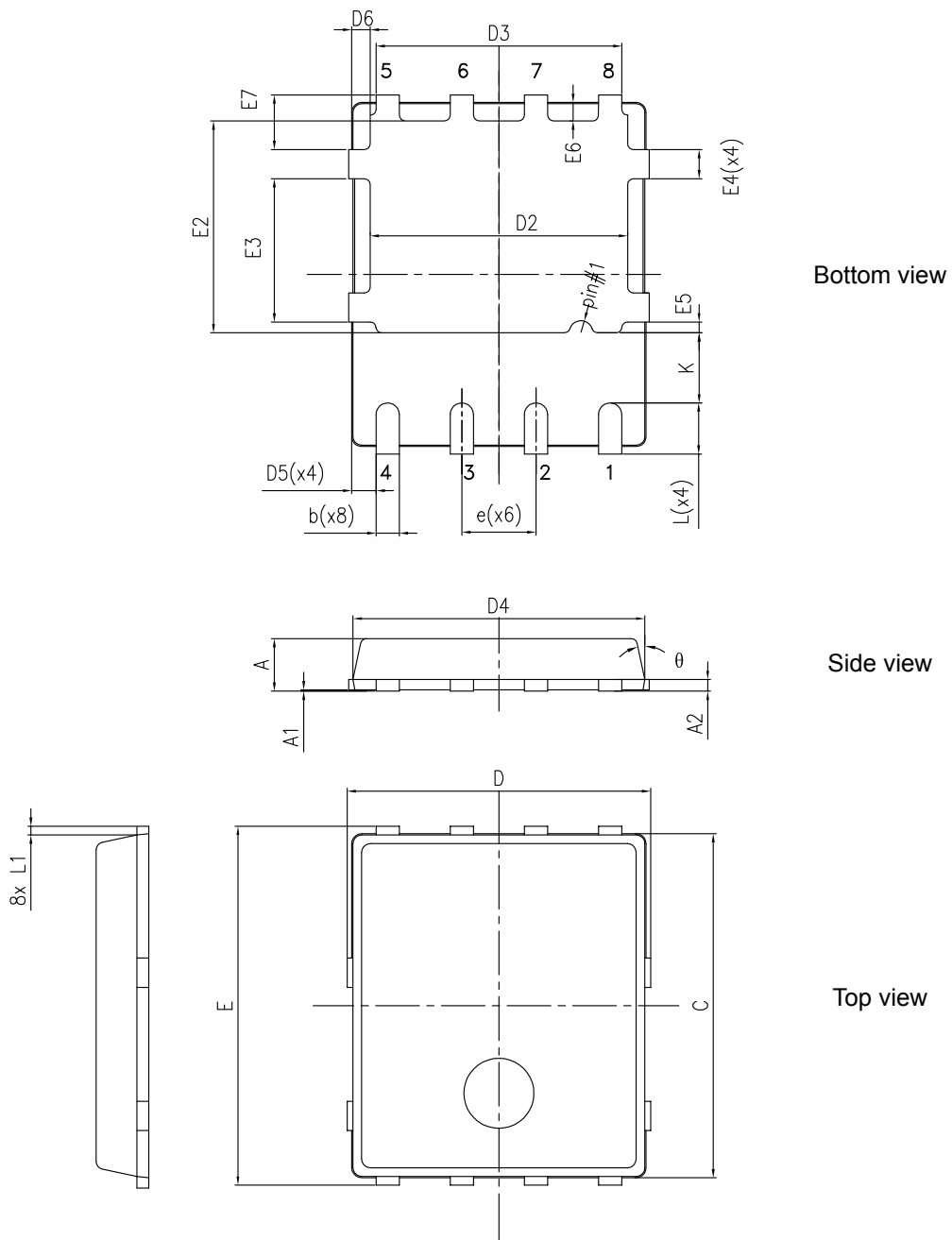
AM01473v1

4 Package information

In order to meet environmental requirements, ST offers these devices in different grades of **ECOPACK** packages, depending on their level of environmental compliance. ECOPACK specifications, grade definitions and product status are available at: www.st.com. ECOPACK is an ST trademark.

4.1 PowerFLAT 5x6 type C package information

Figure 18. PowerFLAT 5x6 type C package outline



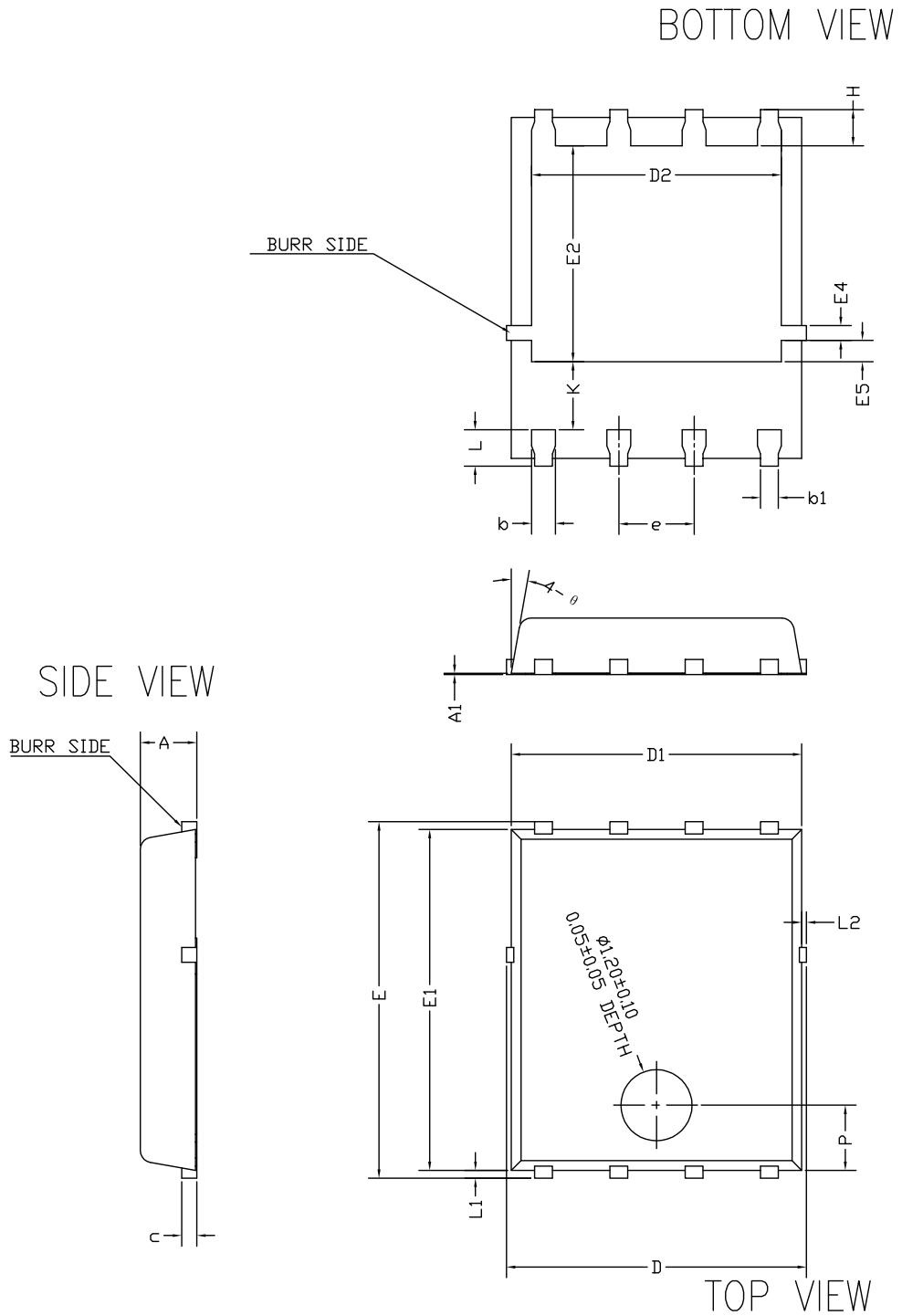
8231817_typeC_Rev20

Table 8. PowerFLAT 5x6 type C package mechanical data

Dim.	mm		
	Min.	Typ.	Max.
A	0.80		1.00
A1	0.02		0.05
A2		0.25	
b	0.30		0.50
C	5.80	6.00	6.20
D	5.00	5.20	5.40
D2	4.15		4.45
D3	4.05	4.20	4.35
D4	4.80	5.00	5.20
D5	0.25	0.40	0.55
D6	0.15	0.30	0.45
e		1.27	
E	5.95	6.15	6.35
E2	3.50		3.70
E3	2.35		2.55
E4	0.40		0.60
E5	0.08		0.28
E6	0.20	0.325	0.45
E7	0.75	0.90	1.05
K	1.05		1.35
L	0.725		1.025
L1	0.05	0.15	0.25
θ	0°		12°

4.2 PowerFLAT 5x6 type C SUBCON package information

Figure 19. PowerFLAT 5x6 type C SUBCON package outline

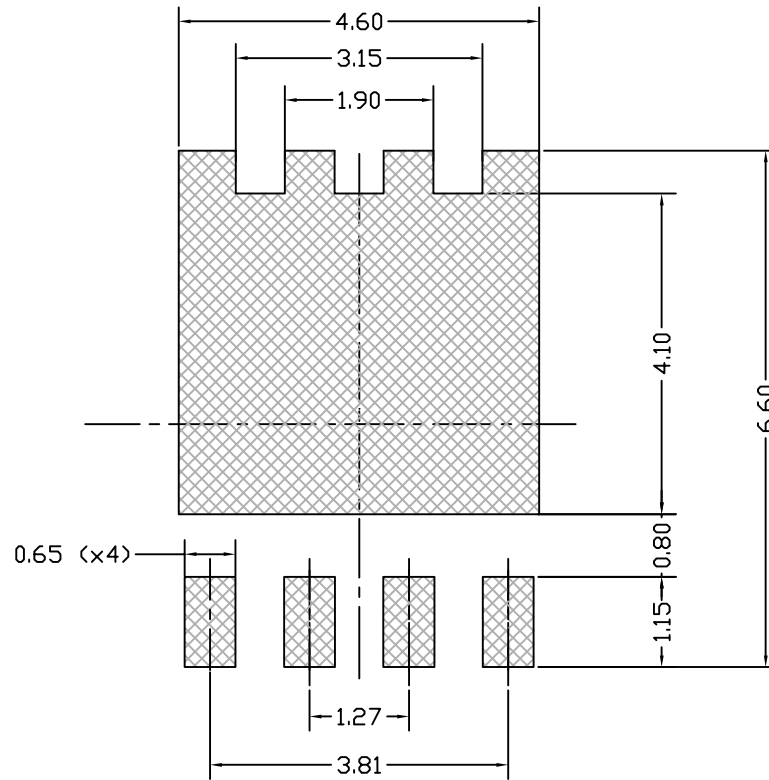


8472137_SUBCON_998G_REV4

Table 9. PowerFLAT 5x6 type C SUBCON package mechanical data

Dim.	mm		
	Min.	Typ.	Max.
A	0.90	0.95	1.00
A1		0.02	
b	0.35	0.40	0.45
b1		0.30	
c	0.21	0.25	0.34
D			5.10
D1	4.80	4.90	5.00
D2	4.01	4.21	4.31
e	1.17	1.27	1.37
E	5.90	6.00	6.10
E1	5.70	5.75	5.80
E2	3.54	3.64	3.74
E4	0.15	0.25	0.35
E5	0.26	0.36	0.46
H	0.51	0.61	0.71
K	0.95		
L	0.51	0.61	0.71
L1	0.06	0.13	0.20
L2			0.10
P	1.00	1.10	1.20
θ	8°	10°	12°

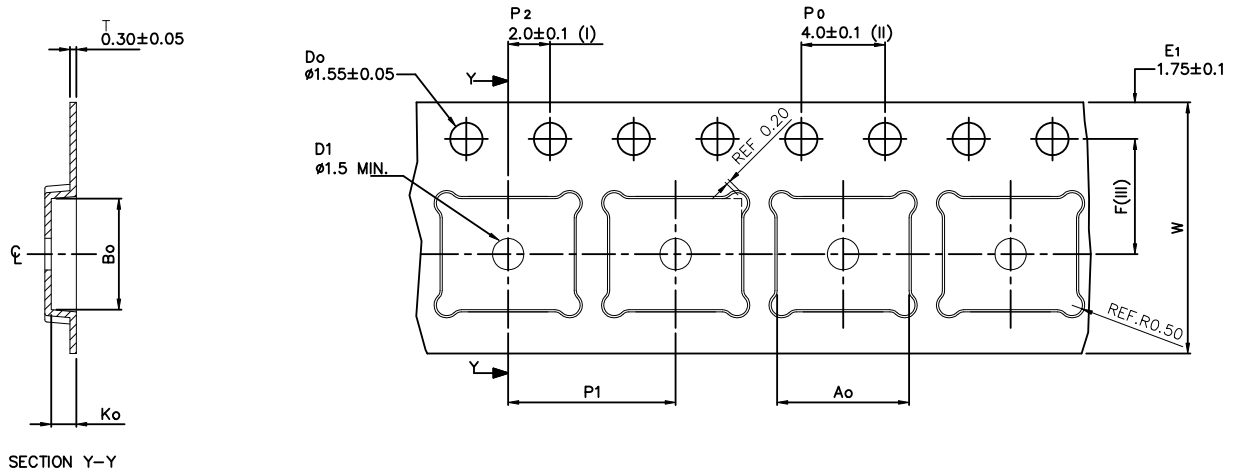
Figure 20. PowerFLAT 5x6 recommended footprint (dimensions are in mm)



8231817_FOOTPRINT_simp_Rev_20

4.3 PowerFLAT 5x6 packing information

Figure 21. PowerFLAT 5x6 tape (dimensions are in mm)



Ao	6.30 +/- 0.1
Bo	5.30 +/- 0.1
Ko	1.20 +/- 0.1
F	5.50 +/- 0.1
P1	8.00 +/- 0.1
W	12.00 +/- 0.3

(I) Measured from centreline of sprocket hole to centreline of pocket.

(II) Cumulative tolerance of 10 sprocket holes is ± 0.20 .

(III) Measured from centreline of sprocket hole to centreline of pocket

Base and bulk quantity 3000 pcs
All dimensions are in millimeters

8234350_Tape_rev_C

Figure 22. PowerFLAT 5x6 package orientation in carrier tape

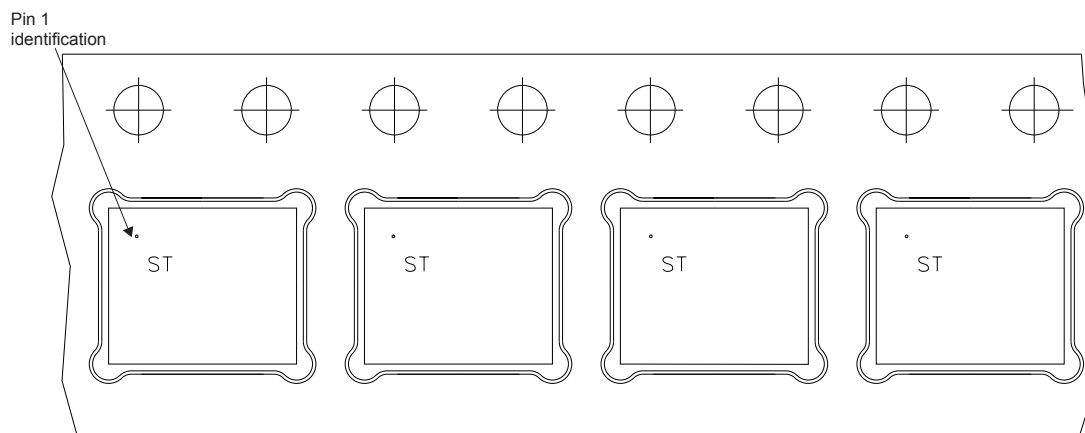
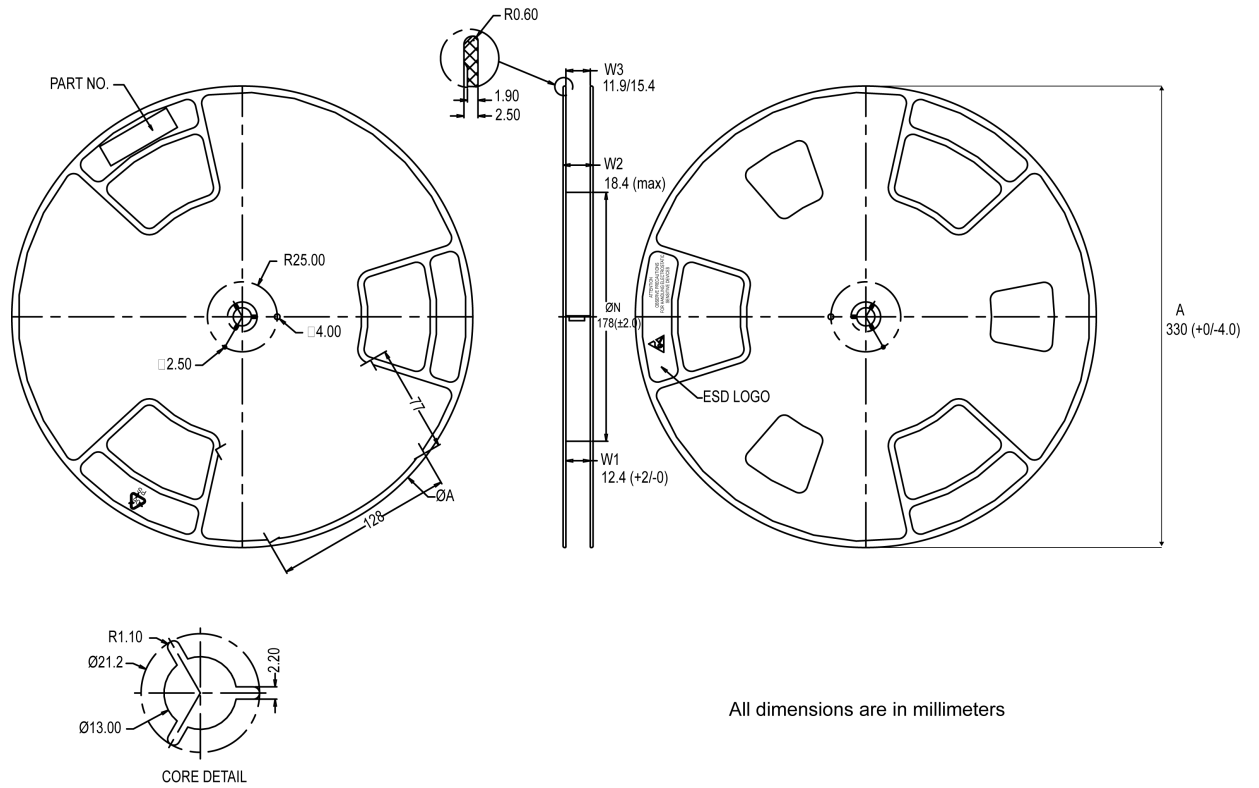


Figure 23. PowerFLAT 5x6 reel



All dimensions are in millimeters

8234350_Reel_rev_C

Revision history

Table 10. Document revision history

Date	Revision	Changes
22-Oct-2007	1	First release
01-Apr-2008	2	Document status promoted from preliminary data to datasheet
23-Sep-2008	3	V_{GS} value has been changed on <i>Table 2</i> and <i>Table 5</i>
24-Jan-2020	4	$V_{GS(th)}$ value has been changed on <i>Table 5</i>
12-Jun-2009	5	<i>Section 4: Package mechanical data</i> has been updated. Minor text changes.
05-Oct-2011	6	– Modified: <i>Figure 1</i> and marking in <i>Table 1</i> – Modified: I_D value in <i>Figure 11</i> – Updated: <i>Figure 13, 14, 15</i> and <i>16</i> – Updated: <i>Section 4: Package mechanical data</i>
12-Feb-2020	7	Updated Section 4 Package information . Minor text changes.

Contents

1	Electrical ratings	2
2	Electrical characteristics	3
2.1	Electrical characteristics (curves)	5
3	Test circuits	7
4	Package information	8
4.1	PowerFLAT 5x6 type C package information	8
4.2	PowerFLAT 5x6 type C SUBCON package information	9
4.3	PowerFLAT 5x6 packing information	12
	Revision history	15

IMPORTANT NOTICE – PLEASE READ CAREFULLY

STMicroelectronics NV and its subsidiaries (“ST”) reserve the right to make changes, corrections, enhancements, modifications, and improvements to ST products and/or to this document at any time without notice. Purchasers should obtain the latest relevant information on ST products before placing orders. ST products are sold pursuant to ST’s terms and conditions of sale in place at the time of order acknowledgement.

Purchasers are solely responsible for the choice, selection, and use of ST products and ST assumes no liability for application assistance or the design of Purchasers’ products.

No license, express or implied, to any intellectual property right is granted by ST herein.

Resale of ST products with provisions different from the information set forth herein shall void any warranty granted by ST for such product.

ST and the ST logo are trademarks of ST. For additional information about ST trademarks, please refer to www.st.com/trademarks. All other product or service names are the property of their respective owners.

Information in this document supersedes and replaces information previously supplied in any prior versions of this document.

© 2020 STMicroelectronics – All rights reserved

Mouser Electronics

Authorized Distributor

Click to View Pricing, Inventory, Delivery & Lifecycle Information:

[STMicroelectronics:](#)

[STL150N3LLH5](#)